



Chipsmall Limited consists of a professional team with an average of over 10 year of expertise in the distribution of electronic components. Based in Hongkong, we have already established firm and mutual-benefit business relationships with customers from,Europe,America and south Asia,supplying obsolete and hard-to-find components to meet their specific needs.

With the principle of “Quality Parts,Customers Priority,Honest Operation,and Considerate Service”,our business mainly focus on the distribution of electronic components. Line cards we deal with include Microchip,ALPS,ROHM,Xilinx,Pulse,ON,Everlight and Freescale. Main products comprise IC,Modules,Potentiometer,IC Socket,Relay,Connector.Our parts cover such applications as commercial,industrial, and automotives areas.

We are looking forward to setting up business relationship with you and hope to provide you with the best service and solution. Let us make a better world for our industry!



Contact us

Tel: +86-755-8981 8866 Fax: +86-755-8427 6832

Email & Skype: info@chipsmall.com Web: www.chipsmall.com

Address: A1208, Overseas Decoration Building, #122 Zhenhua RD., Futian, Shenzhen, China



PASSEND ZU _	LOC	DIST	REVISIONS ÄNDERUNGEN DESCRIPTION BESCHREIBUNG			DATE	DWN	APVD
VERWENDET FÜR _	A1	—	P	LTR				
WAR NR. 91-9775-2			B5	REVISED PER ECO-11-005150		21MAR11	RK	HMR

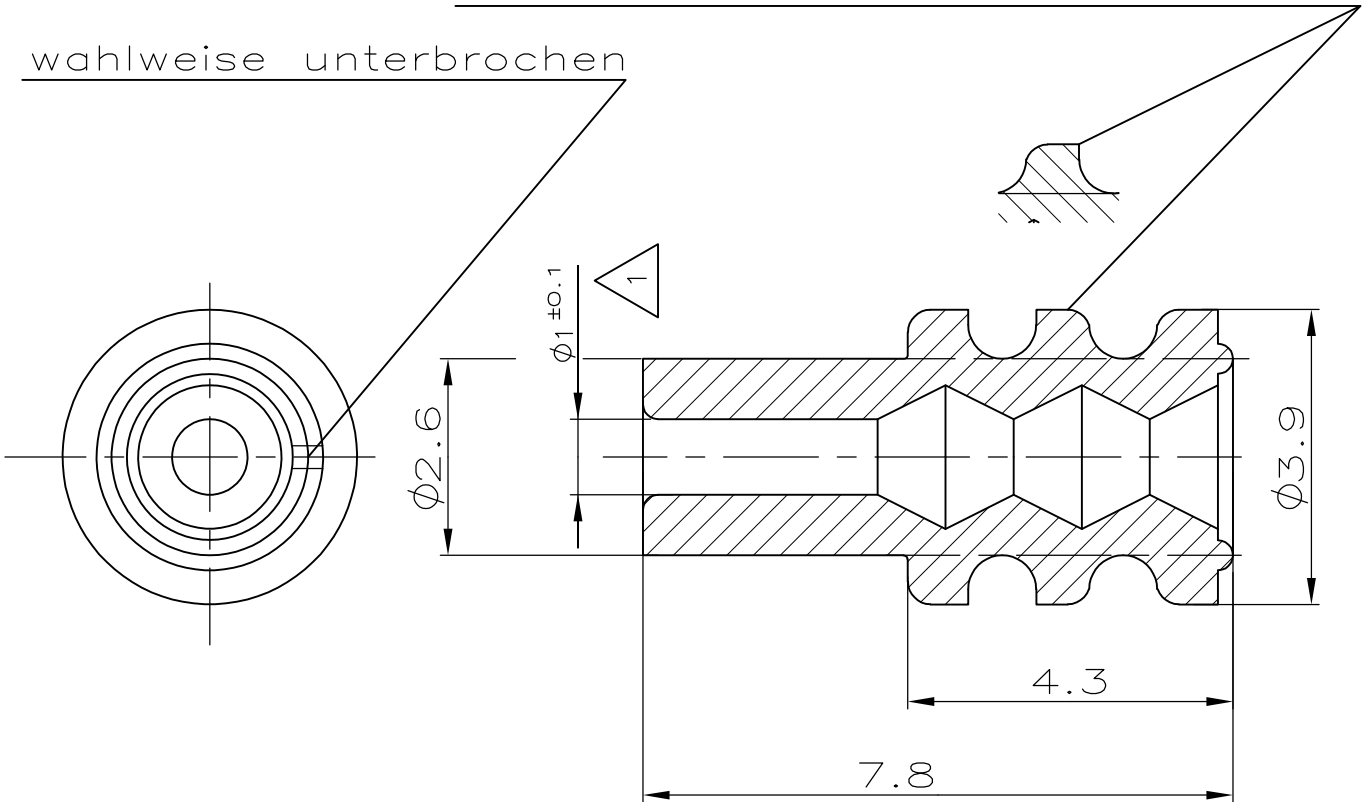
ÄNDERUNGEN, DIE DEM TECHNISCHEN FORTSCHRITT DIENEN, BEHALTEN WIR UNS VOR



M1:1

Anordnung der mittleren Dichtlippe wahlweise, wie gezeigt.

wahlweise unterbrochen



1 Für Isolations ϕ 1.4-1.9mm (0.5-0.75mm² FLR)

RELEASED FOR PUBLICATION
 FREI FÜR VERÖFFENTLICHUNG
 ALL RIGHTS RESERVED.
 VERTRAULICHE UNVERÖFFENTLICHTE ZEICHNUNG.
 COPYRIGHT - By -

963530-1	SILIKON SHORE A 50' lubriziert	grau
----------	--------------------------------------	------

BESTELL-NR.	WERKSTOFF	OBERFLÄCHE FARBE
-------------	-----------	---------------------

ZEICHNUNG GÜLTIG AB

DIMENSIONS: MASSENHTEITEN mm	DWN	05 AUG 1991
	S.Denter	
TOLERANCES UNLESS OTHERWISE SPECIFIED: ALLGEMEINTOLERANZEN	CHK	05 AUG 1991
	W.Pfeffer	
	APVD	-
0 PLC ± -	PRODUCT SPEC PRODUKTSPEZ.	-
1 PLC ± 0.2 mm		
2 PLC ± -		
3 PLC ± -		
4 PLC ± -	APPLICATION SPEC VERARBEITUNGSSPEZ.	-
ANGLES / WINKEL ± -		
	WEIGHT GEWICHT	-

MATERIAL	SILIKON	FINISH OBERFLÄCHE/FARBE	-
		TE Connectivity	
		NAME Einzelleiterdichtung	
Fuer Flachkontakt und Flachstecker 1,5mm (Mikro-Timer 2 Kontaktsystem)			
SIZE	CAGE CODE	DRAWING NO ZEICHNUNGS-NR.	RESTRICTED TO NUR FÜR
A4	00779	C-963530	-

CUSTOMER DRAWING / KUNDENZEICHNUNG	SCALE MASSTAB	10:1	SHEET BLATT	1 OF VON 1	REV	B5
------------------------------------	------------------	------	----------------	---------------	-----	----