



Chipsmall Limited consists of a professional team with an average of over 10 year of expertise in the distribution of electronic components. Based in Hongkong, we have already established firm and mutual-benefit business relationships with customers from,Europe,America and south Asia,supplying obsolete and hard-to-find components to meet their specific needs.

With the principle of “Quality Parts,Customers Priority,Honest Operation,and Considerate Service”,our business mainly focus on the distribution of electronic components. Line cards we deal with include Microchip,ALPS,ROHM,Xilinx,Pulse,ON,Everlight and Freescale. Main products comprise IC,Modules,Potentiometer,IC Socket,Relay,Connector.Our parts cover such applications as commercial,industrial, and automotives areas.

We are looking forward to setting up business relationship with you and hope to provide you with the best service and solution. Let us make a better world for our industry!



## Contact us

Tel: +86-755-8981 8866 Fax: +86-755-8427 6832

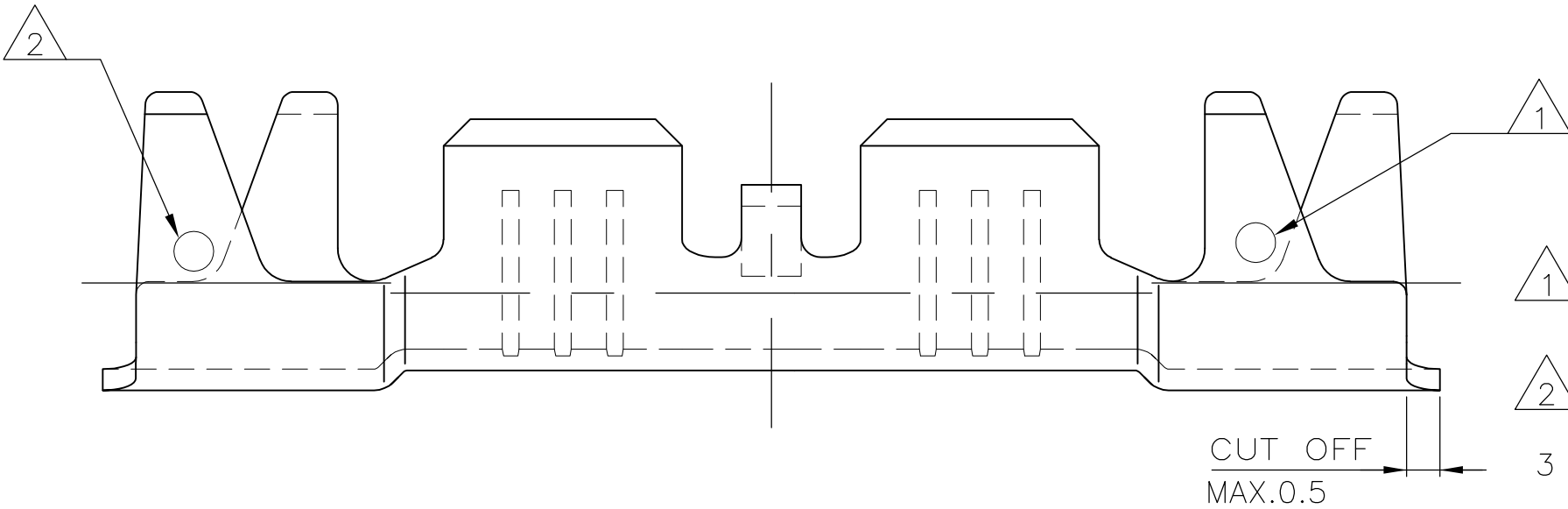
Email & Skype: info@chipsmall.com Web: www.chipsmall.com

Address: A1208, Overseas Decoration Building, #122 Zhenhua RD., Futian, Shenzhen, China

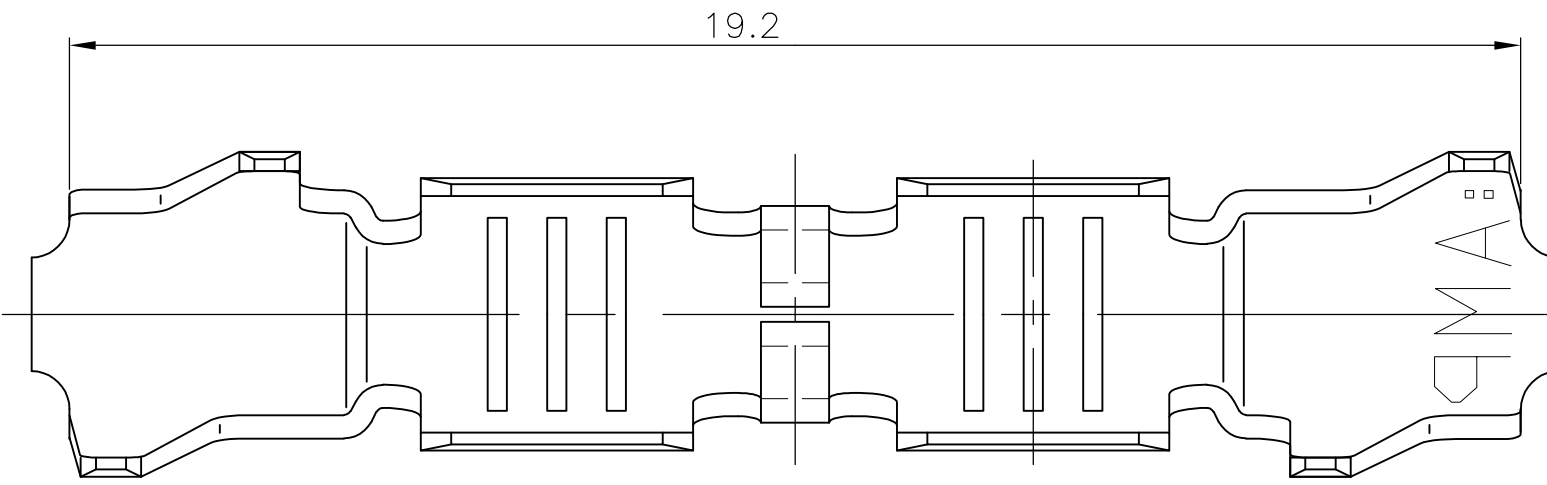


THIS DRAWING IS UNPUBLISHED. RELEASED FOR PUBLICATION  
 © COPYRIGHT - By - ALL RIGHTS RESERVED.

LOC	DIST	REVISIONS					
		P	LTR	DESCRIPTION	DATE	DWN	APVD
A1	-		A1	NEW CD CREATED USING PD	08DEC2014	NK	LP



- 1 REVISION INDEX EXCHANGEABLE, CORRESPONDING TO ACTUAL REV. NUMBER (LETTERS ONLY)
- 2 DIE IDENTIFICATION NUMBER.
- 3 MISSING DIMENSION AND NOTES SEE 968042.



PER-TIN-PLATED 1-3	963922-1
FINISH	PART NO

THIS DRAWING IS A CONTROLLED DOCUMENT.		DWN	08DEC2014	<b>STE</b> TE Connectivity			
		CHK	08DEC2014				
DIMENSIONS: mm		TOLERANCES UNLESS OTHERWISE SPECIFIED: Din 6930-f		NAME			
		0 PLC	± -	PRODUCT SPEC			
		1 PLC	± -	APPLICATION SPEC			
MATERIAL		2 PLC	± -	SIZE	CAGE CODE	DRAWING NO	RESTRICTED TO
		3 PLC	± -	A3 00779 C-963922			-
FINISH		4 PLC	± -	CUSTOMER DRAWING			SCALE
		ANGLES	± -	10:1			SHEET
							1 OF 1
							REV
							A1