



Chipsmall Limited consists of a professional team with an average of over 10 year of expertise in the distribution of electronic components. Based in Hongkong, we have already established firm and mutual-benefit business relationships with customers from,Europe,America and south Asia,supplying obsolete and hard-to-find components to meet their specific needs.

With the principle of “Quality Parts,Customers Priority,Honest Operation,and Considerate Service”,our business mainly focus on the distribution of electronic components. Line cards we deal with include Microchip,ALPS,ROHM,Xilinx,Pulse,ON,Everlight and Freescale. Main products comprise IC,Modules,Potentiometer,IC Socket,Relay,Connector.Our parts cover such applications as commercial,industrial, and automotives areas.

We are looking forward to setting up business relationship with you and hope to provide you with the best service and solution. Let us make a better world for our industry!



Contact us

Tel: +86-755-8981 8866 Fax: +86-755-8427 6832

Email & Skype: info@chipsmall.com Web: www.chipsmall.com

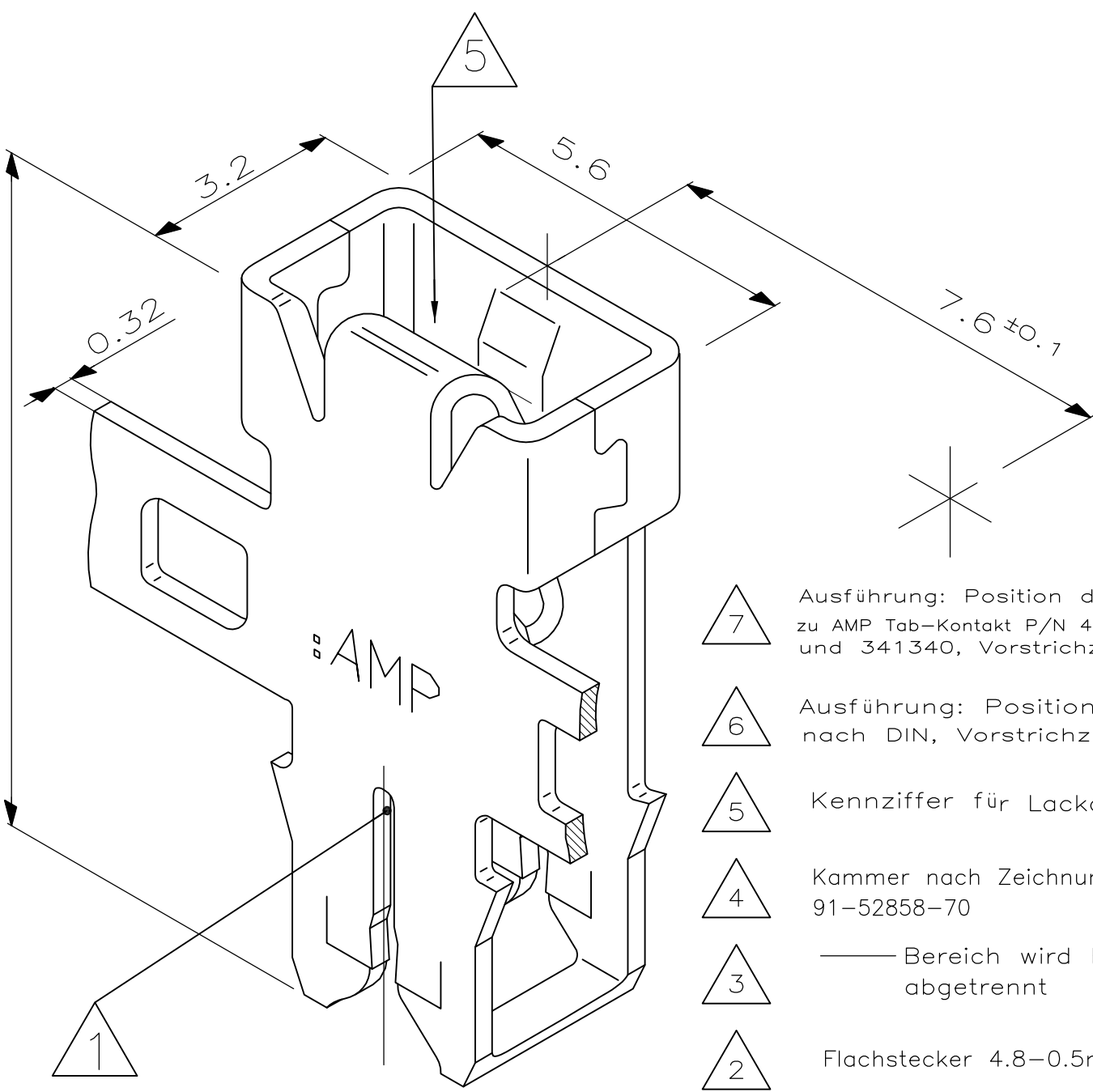
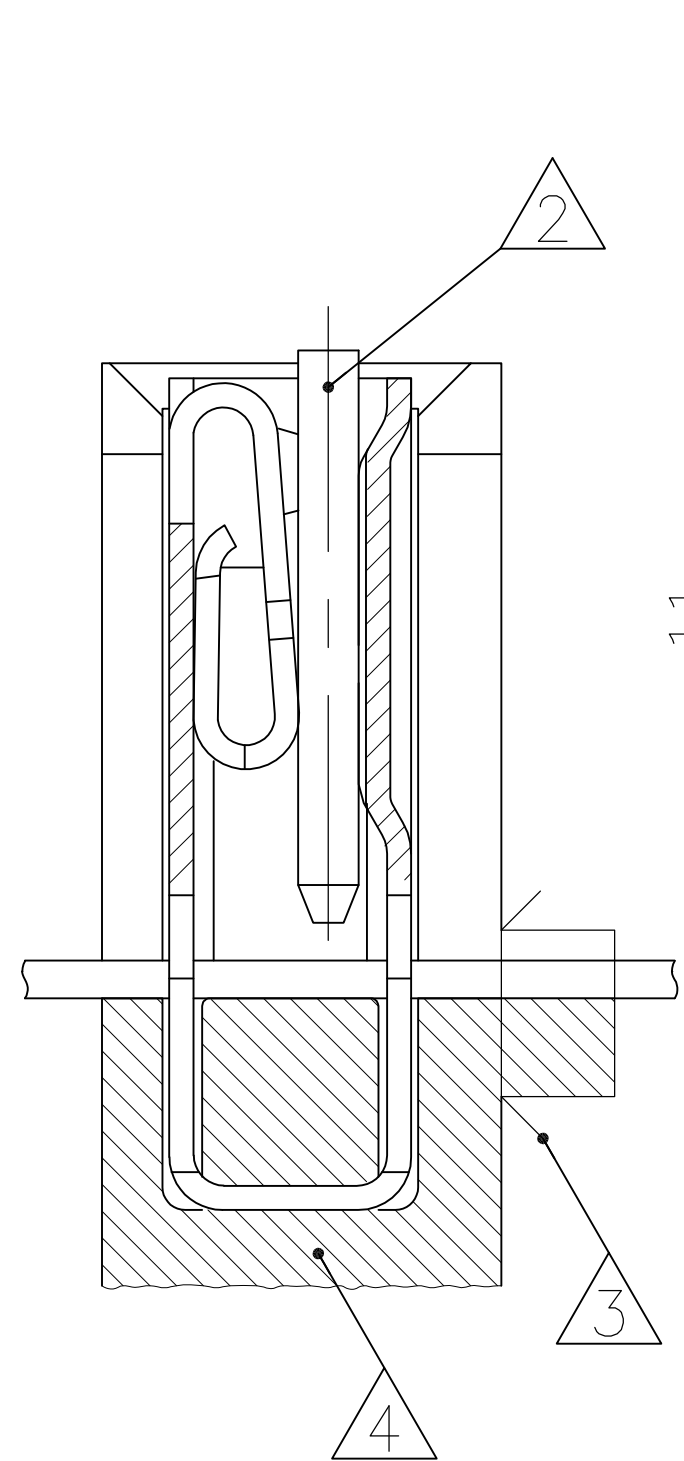
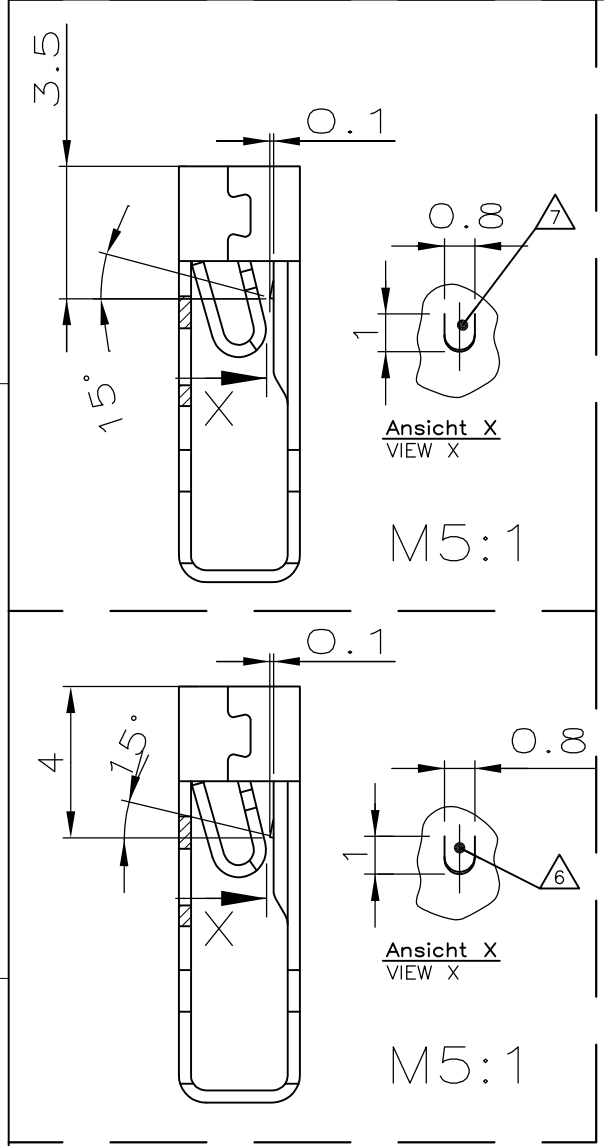
Address: A1208, Overseas Decoration Building, #122 Zhenhua RD., Futian, Shenzhen, China



THIS DRAWING IS UNPUBLISHED.
 VERTRAULICHE UNVERÖFFENTLICHTE ZEICHNUNG
 © COPYRIGHT - 92 By -

RELEASED FOR PUBLICATION
 FREI FUER VERÖFFENTLICHUNG
 ALL RIGHTS RESERVED.
 ALLE RECHTE VORBEHALTEN

| LOC | DIST | REVISIONS ÄNDERUNGEN | | | |
|-------------|------|-------------------------|---------------|-----------------------------|------|
| A1 | - | P | LTR | DESCRIPTION BESCHREIBUNG | |
| 91-52858-10 | | C1 | PN 1-964110-1 | OBSOLETE | |
| | | | DATE | DWN | APVD |
| | | | 07OCT14 | PKS | RRP |



- 7 Ausführung: Position der Rastnase passend zu AMP Tab-Kontakt P/N 42490, 60850, 61687 und 341340, Vorstrichzahl 2-....
- 6 Ausführung: Position der Rastnase nach DIN, Vorstrichzahl 1-....
- 5 Kennziffer für Lackdrahtbereich (12)
- 4 Kammer nach Zeichnung 91-52858-70
- 3 — Bereich wird beim Kontaktieren abgetrennt
- 2 Flachstecker 4.8-0.5mm oder 4.8-0.8mm
- 1 Kontakt geeignet für:
a) Lackdraht ϕ 0.6 - 0.8mm

| - | 2-964110-1 | CuNiSi | Vorverzinnt |
|-------------|------------|----------|-------------|
| - | 1-964110-1 | CuNiSi | Vorverzinnt |
| - | 964110-1 | CuNiSi | Vorverzinnt |
| CUSTOMER PN | PART NO. | MATERIAL | FINISH |

THIS DRAWING IS A CONTROLLED DOCUMENT.
 DIESE ZEICHNUNG IST EIN KONTROLLIERTES DOKUMENT.

DIMENSIONS:
MASSENEHTEIN:
mm

TOLERANCES UNLESS
OTHERWISE SPECIFIED:
ALLGEMEINTOLERANZEN

0 PLC \pm -0.0075
 1 PLC \pm -0.0075
 2 PLC \pm -0.0075
 3 PLC \pm -0.0075
 4 PLC \pm -0.0075
 ANGLES / WINKEL \pm -

MATERIAL
siehe Tabelle

FINISH / OBERFLÄCHE / FARBE
siehe Tabelle

DWN A.Holch 14 Jan 92
 CHK H.L.Plöber 14 Jan 92
 APVD -
 PRODUCT SPEC
PRODUKTSPEZ.
-
 APPLICATION SPEC
VERARBEITUNGSSPEZ.
-
 WEIGHT
GEWICHT -

STE TE Connectivity

MAG-MATE Kontakt mit
Steckhülse 4.8-0.5/0.8

SIZE A3 CAGE CODE 00779 DRAWING NO. ZEICHNUNGS-NR. C-964110 RESTRICTED TO NUR FUER -

CUSTOMER DRAWING / KUNDENZEICHNUNG SCALE MASSTAB 0:1 SHEET BLATT 1 OF VON 1 REV C1