



Chipsmall Limited consists of a professional team with an average of over 10 year of expertise in the distribution of electronic components. Based in Hongkong, we have already established firm and mutual-benefit business relationships with customers from,Europe,America and south Asia,supplying obsolete and hard-to-find components to meet their specific needs.

With the principle of “Quality Parts,Customers Priority,Honest Operation,and Considerate Service”,our business mainly focus on the distribution of electronic components. Line cards we deal with include Microchip,ALPS,ROHM,Xilinx,Pulse,ON,Everlight and Freescale. Main products comprise IC,Modules,Potentiometer,IC Socket,Relay,Connector.Our parts cover such applications as commercial,industrial, and automotives areas.

We are looking forward to setting up business relationship with you and hope to provide you with the best service and solution. Let us make a better world for our industry!



## Contact us

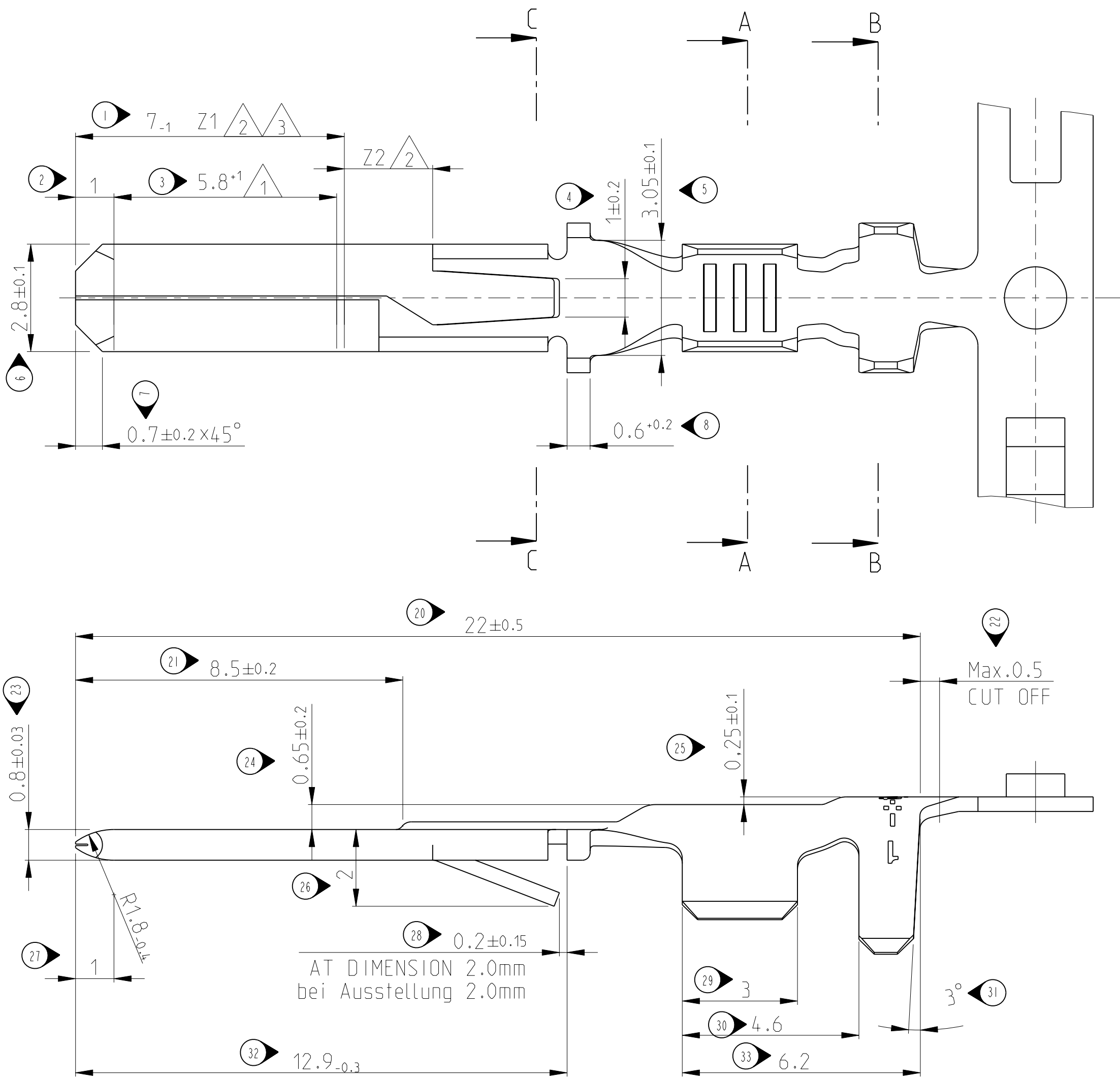
Tel: +86-755-8981 8866 Fax: +86-755-8427 6832

Email & Skype: info@chipsmall.com Web: www.chipsmall.com

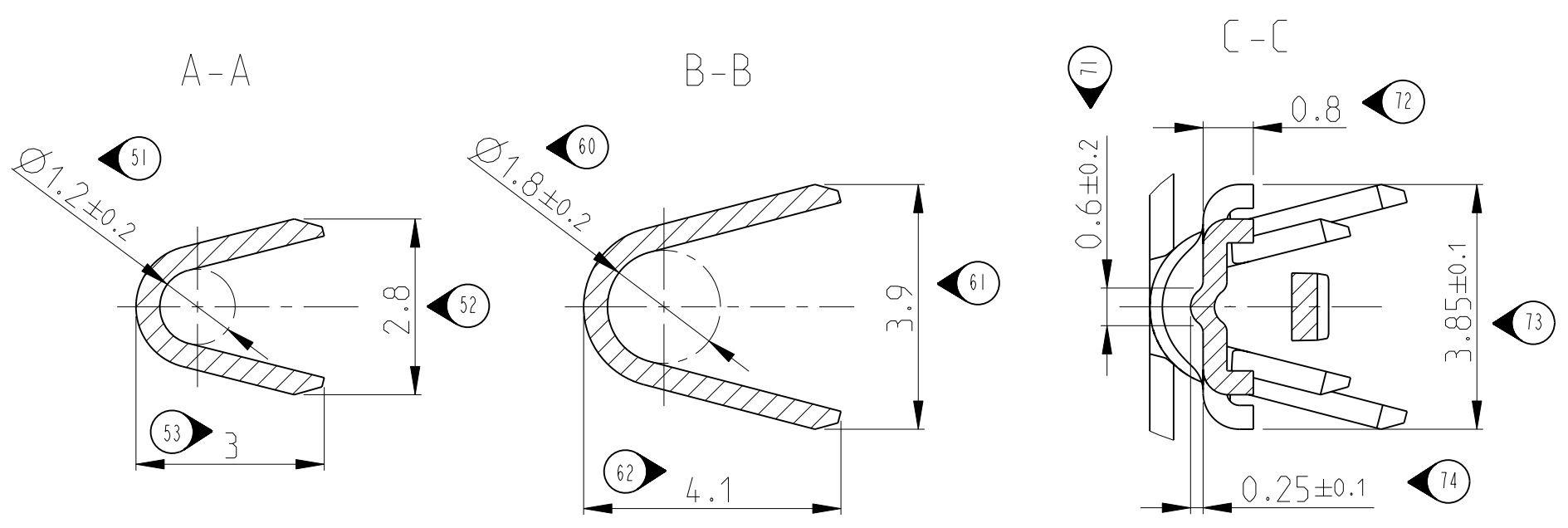
Address: A1208, Overseas Decoration Building, #122 Zhenhua RD., Futian, Shenzhen, China



LOC		DIST		REVISIONS			
P	LTR	DESCRIPTION	DATE	DWN	APVD		
	C6	see ECR-08-023230	12SEP2008	TK	TK		



- 80  $\triangle$  1 TAB THICKNESS  $0.8 \pm 0.03$  AT MARKED LENGTH  
Dicke  $0.8 \pm 0.03$  auf gekennzeichnete Länge
- 81  $\triangle$  2 SELECTIVE GOLD PLATED VERSION;  
AREA Z1: CONTACT AREA MIN.  $0.8 \mu\text{m}$  ELECTRO DEPOSITED GOLD  
OVER  $1-3 \mu\text{m}$  ELECTRO DEPOSITED NICKEL  
AREA Z2: GOLD-FLASH (cca  $0.04 \mu\text{m}$ ) OVER NICKEL  
CRIMP AREA:  $0.8-2.3 \mu\text{m}$  ELECTRO DEPOSITED TIN OVER NICKEL  
  
Ausführung 'selektiv vergoldet';  
Bereich Z1: Kontakzone min.  $0.8 \mu\text{m}$  galvanisch Gold  
über  $1-3 \mu\text{m}$  galvanisch Nickel  
Bereich Z2: Gold-Flasch (cca  $0.04 \mu\text{m}$ ) über Nickel  
Crimp-Bereich:  $0.8-2.3 \mu\text{m}$  galvanisch Zinn über Nickel
- 82  $\triangle$  3 SELECTIVE SILVER PLATED VERSION;  
AREA Z1: CONTACT AREA MIN.  $3 \mu\text{m}$  ELECTRO DEPOSITED SILVER  
CRIMP AREA: min.  $0.8 \mu\text{m}$  ELECTRO DEPOSITED TIN  
  
Ausführung 'selektiv versilbert';  
Bereich Z1: Kontakzone min.  $3 \mu\text{m}$  galvanisch Silber  
Crimp-Bereich: min.  $0.8 \mu\text{m}$  galvanisch Zinn
- 4 WIRE SIZE RANGE/Drahtgrößenbereich:  $0.5-1.0 \text{ mm}^2$   
INSULATION  $\varnothing$ /Isolation  $\varnothing$ :  $1.4-2.3 \text{ mm}$  FLR-wire/Leitung  
WIRE/Leiter: F-Crimp  
INSULATION/Isolation: OVL-Crimp
- 5 CORRESPONDING TABS FOR WIRE RANGE  
Weitere Flachstecker für Drahtgrößenbereich  
 $0.2-0.5 \text{ mm}^2$  : 964131  
 $>1.0-2.5 \text{ mm}^2$  : 964133
- 6  $\triangle$  TO BE REELED ON PLASTIC REEL  
Spulen auf Kunststoffspule



0-964141-2	PRETINNED / vorverzinnt	CuSn4 R480	$\triangle$ 6	1-964132-2	C
0-964141-5	SEL. SILVER PLATED	CuSn4 R480	$\triangle$ 3	0-964132-5	C
0-964141-4	SEL. GOLD PLATED	CuSn4 R480	$\triangle$ 2	0-964132-4	C
0-964141-3	PRETINNED / vorverzinnt	CuNiSi R460		0-964132-3	C
0-964141-2	PRETINNED / vorverzinnt	CuSn4 R480		0-964132-2	C
0-964141-1	PLAIN / blank	CuSn4 R480		0-964132-1	C
LOOSE PIECE No. Einzelausführung	FINISH Oberfläche	MATERIAL	PART No. Bestell-Nr.	REV	

THIS DRAWING IS A CONTROLLED DOCUMENT FOR TYCO ELECTRONICS CORPORATION IT IS SUBJECT TO CHANGE AND THE CONTROLLING ENGINEERING ORGANIZATION SHOULD BE CONTACTED FOR THE LATEST REVISION.		DWN T. Konecny 12SEP2008	Tyco Electronics AMP GmbH 64625 Bensheim (Germany)	
DIMENSIONS: mm		CHK M. Pavlicek 15SEP2008	NAME 2.8mm FASTIN-FASTON® TAB 2.8mm FASTIN-FASTON® Flachstecker	
TOLERANCES UNLESS OTHERWISE SPECIFIED:		APVD T. Konecny 16SEP2008	SIZE A2	
0 PLC ±0.3	1 PLC ±0.3	PRODUCT SPEC	CAGE CODE 00779	DRAWING NO. 964132
2 PLC ±0.3	3 PLC ±0.3	APPLICATION SPEC 114-18014	RESTRICTED TO	
4 PLC ±0.3	ANGLES ±3°	WEIGHT	SCALE 10:1	SHEET 1 of 1
MATERIAL see table	FINISH see table	CUSTOMER DRAWING	REV C6	