



Chipsmall Limited consists of a professional team with an average of over 10 year of expertise in the distribution of electronic components. Based in Hongkong, we have already established firm and mutual-benefit business relationships with customers from,Europe,America and south Asia,supplying obsolete and hard-to-find components to meet their specific needs.

With the principle of "Quality Parts,Customers Priority,Honest Operation,and Considerate Service",our business mainly focus on the distribution of electronic components. Line cards we deal with include Microchip,ALPS,ROHM,Xilinx,Pulse,ON,Everlight and Freescale. Main products comprise IC,Modules,Potentiometer,IC Socket,Relay,Connector.Our parts cover such applications as commercial,industrial, and automotives areas.

We are looking forward to setting up business relationship with you and hope to provide you with the best service and solution. Let us make a better world for our industry!



Contact us

Tel: +86-755-8981 8866 Fax: +86-755-8427 6832

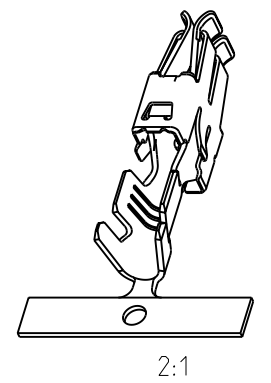
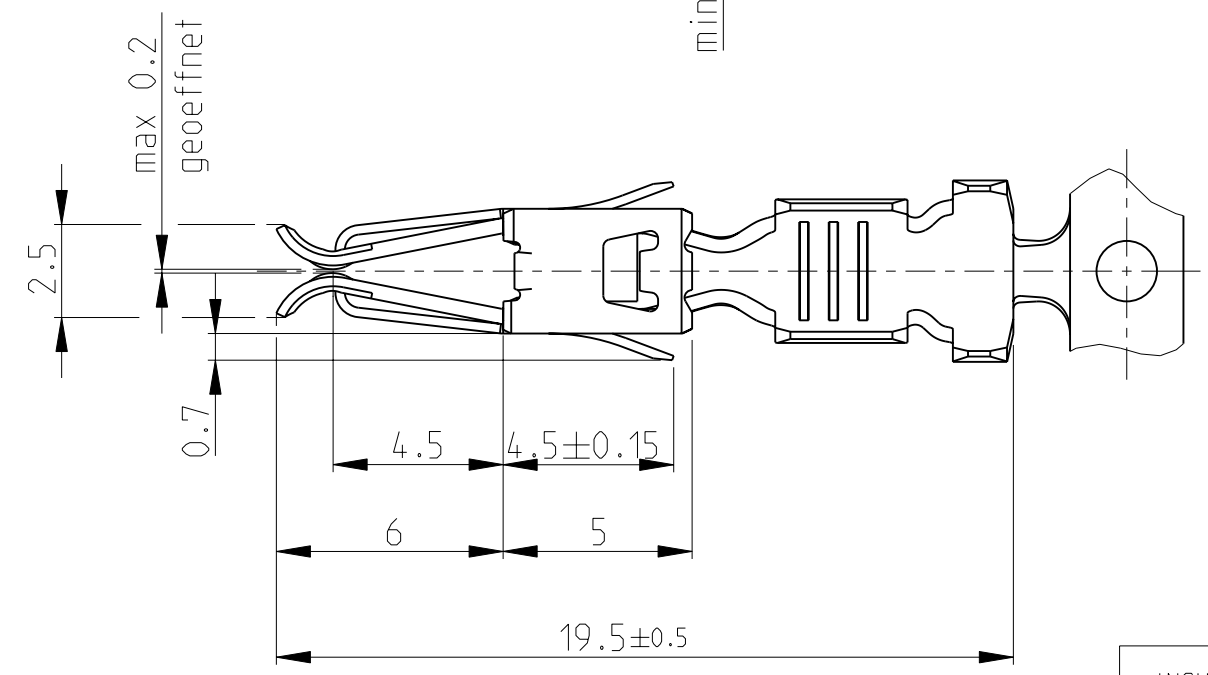
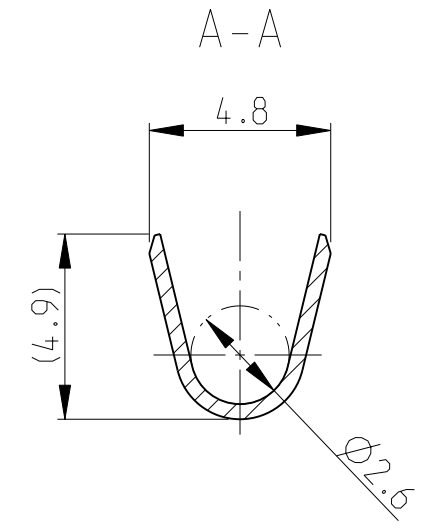
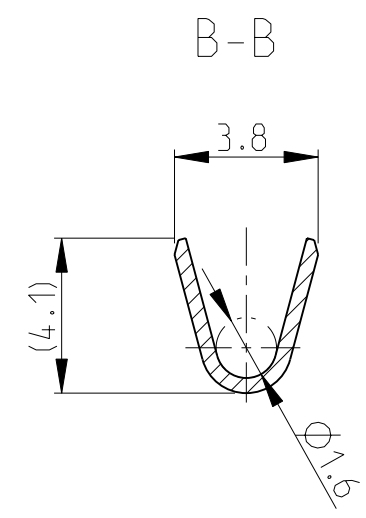
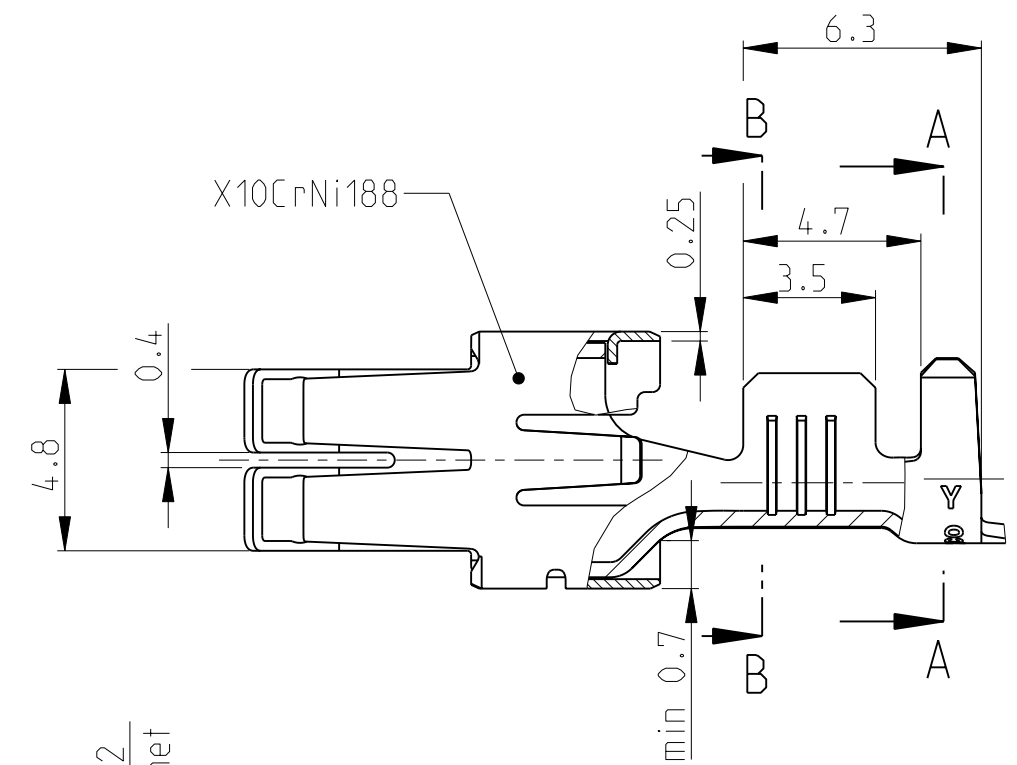
Email & Skype: info@chipsmall.com Web: www.chipsmall.com

Address: A1208, Overseas Decoration Building, #122 Zhenhua RD., Futian, Shenzhen, China



THIS DRAWING IS UNPUBLISHED. RELEASED FOR PUBLICATION
 © COPYRIGHT - ALL RIGHTS RESERVED.

LOC	DIST	REVISIONS			
P	LTR	DESCRIPTION	DATE	DWN	APVD
		C2	REVISED PER ECO-11-005150	31MAR2011	RK HMR



INSUL. RANGE $\text{Ø}2.2-3.0$ mm	WIRE RANGE >1-2.5 mm ²
---	---

LP NO	FINISH	MATERIAL	PART NO.	REV
1241826-5	vorversilbert/PRESILVERED	CuFe2	964203-5	C
1241826-4	vorversilbert/PRESILVERED 1-1.5 μm	CuSn4	964203-4	C
1241826-3	vorversilbert/PRESILVERED 3-4.5 μm	CuSN4	964203-3	C
1241826-2	vorverzinkt/PRETINNED	CuSN4	964203-2	C
1241826-1	vorverzinkt/PRETINNED	CuFe2	964203-1	C

THIS DRAWING IS A CONTROLLED DOCUMENT.	
DIMENSIONS: mm	TOLERANCES UNLESS OTHERWISE SPECIFIED: ± 0.2
MATERIAL -	FINISH -

DWN ATZMANN 06.01.94	 TE Connectivity STANDARD POWER TIMER KONTAKT (Gerade Tulpe)			
CHK BARTOSCH 18.01.94				
APVD Bleicher, M. 28.11.07				
PRODUCT SPEC 108-18025				
APPLICATION SPEC 114-18037	NAME			
WEIGHT 0.82 g	SIZE A3	CAGE CODE 00779	DRAWING NO C=964203	RESTRICTED TO -
CUSTOMER DRAWING	SCALE 5:1	SHEET 1 OF 1	REV C2	