



Chipsmall Limited consists of a professional team with an average of over 10 year of expertise in the distribution of electronic components. Based in Hongkong, we have already established firm and mutual-benefit business relationships with customers from,Europe,America and south Asia,supplying obsolete and hard-to-find components to meet their specific needs.

With the principle of “Quality Parts,Customers Priority,Honest Operation,and Considerate Service”,our business mainly focus on the distribution of electronic components. Line cards we deal with include Microchip,ALPS,ROHM,Xilinx,Pulse,ON,Everlight and Freescale. Main products comprise IC,Modules,Potentiometer,IC Socket,Relay,Connector.Our parts cover such applications as commercial,industrial, and automotives areas.

We are looking forward to setting up business relationship with you and hope to provide you with the best service and solution. Let us make a better world for our industry!



Contact us

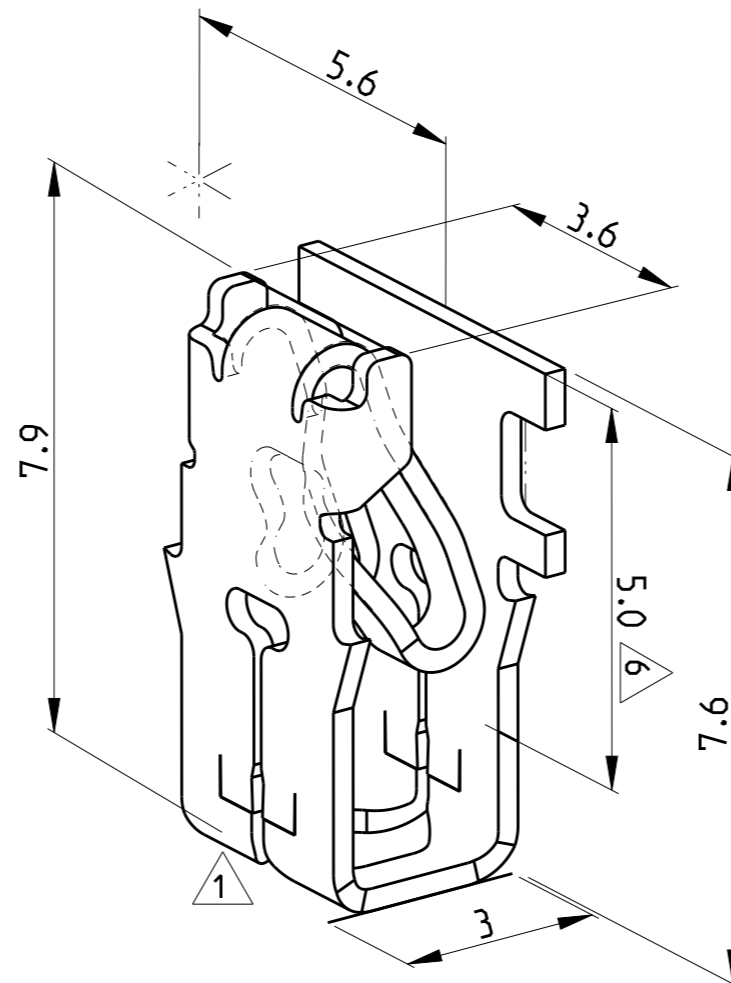
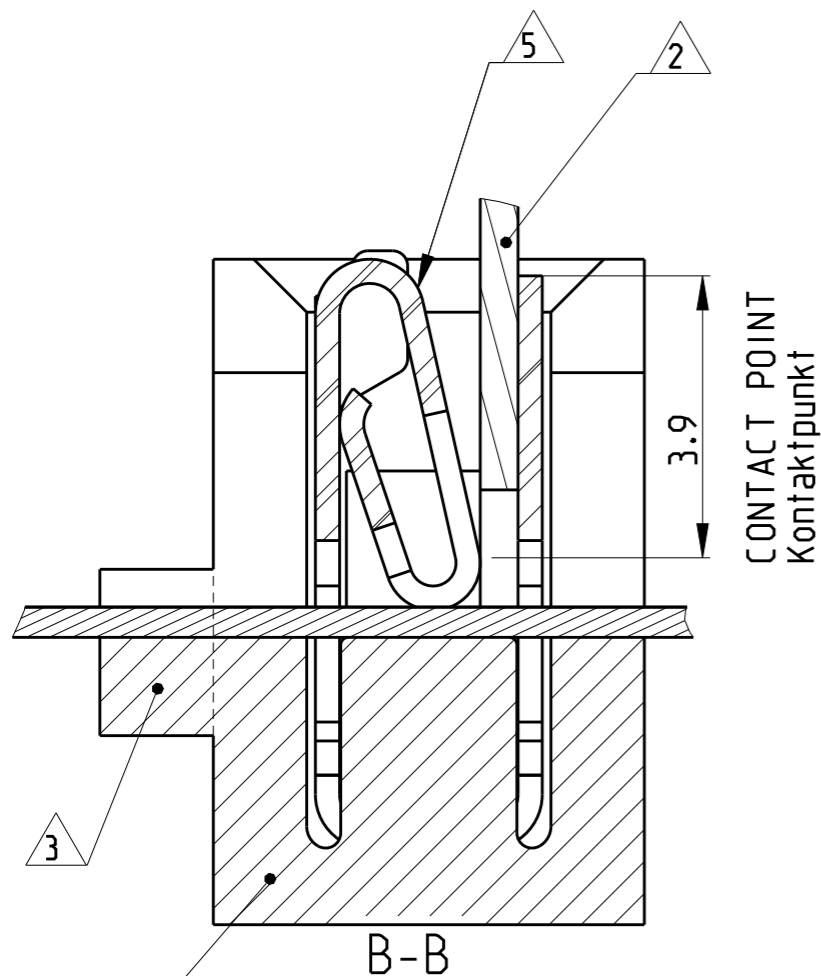
Tel: +86-755-8981 8866 Fax: +86-755-8427 6832

Email & Skype: info@chipsmall.com Web: www.chipsmall.com

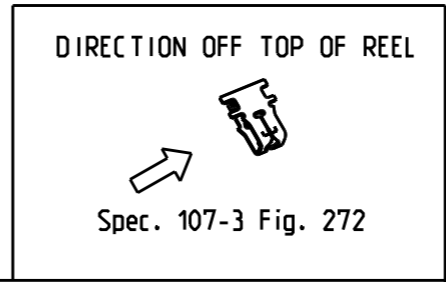
Address: A1208, Overseas Decoration Building, #122 Zhenhua RD., Futian, Shenzhen, China



LOC	DIST	REVISIONS					
IR	-	P	LTR	DESCRIPTION	DATE	DWN	APVD
			D4	PN 964338-7 OBSOLETE	25SEP2012	PKS	RRP
			D5	PN 3-964338-2 ADDED	30OCT2013	PKS	RRP
			D6	PN 964338-7 OBSOLETE	14FEB2014	PKS	RRP
			D7	INTERLAYER PAPER CHANGE	03OCT2016	SV	PKS



- 1 SLOT ACCEPTS SINGLE OR DOUBLE MAGNET WIRE OF SAME DIAMETERS $\varnothing 0.265...0.40\text{mm}$
 Kontakt geeignet fuer Lackdraht $\varnothing 0.265...0.40\text{mm}$
 (Einzeldraht oder zwei Draehnte gleichen Durchmessers)
- 2 POKE IN TAB TERMINAL 3.4x0.5mm
 Poke in Flachstecker 3.4x0.5mm
- 3 AREA WILL BE CUT BY TERMINATION
 Bereich wird beim Kontaktieren abgetrennt
- 4 CAVITY ACCORDING TO TE SPEC. 411-18512
 Kontakt Kammer nach TE Spec 411-18512
- 5 IDENTIFICATION NO. FOR MAGNET WIRE RANGE (6)
 Kennziffer fuer Lackdrahtbereich (6)
- 6 OVER THE MARKED LENGTH:
 SELECTIVE Min. 0.4 μm GOLD OVER NICKEL
 Ueber die gekennzeichnete Laenge:
 selektiv Min. 0.4 μm Gold ueber Ni
- 7 REELED WITH PAPER INTERLAYER 0-737976-1
 ON PLASTIC REEL 1-725652-0
 Reeling mit Papierzwischenlage 0-737976-1
 auf Kunststoffspulen 1-725652-0
- 8 REELED ON PLASTICREEL 0-725652-4
 Gewickelt auf Kunststoffspulen 0-725652-4
- 9 QUANTITY 15000 PCS./REEL
 Mengeneinheit 15000 stk./ spule
- 10 QUANTITY 10000 PCS./REEL
 Mengeneinheit 10000 stk./ spule
- 11 REELED WITH CREPE PAPER INTERLAYER 2-725600-3
 ON PLASTIC REEL 1-725652-0
 Reeling mit Sprung Papierzwischenlage 2-725600-3
 auf Kunststoffspulen 1-725652-0



PART NO	REV.	MATERIAL	SURFACE COLOUR	NOTE
3-94338-2	A	CuNiSi	PRE TINNED	
2-964338-7	A	CuNiSi	FLASH GOLD OVER Ni	
2-964338-2	A	CuNiSi	TIN PLATED	
964338-7	C	CuNiSi	FLASH GOLD OVER Ni	SUPERSEDED BY PN 2-964338-7
964338-3	B	CuZn	PRE TINNED	
964338-2	C	CuNiSi	PRE TINNED	
964338-1	B	CuNiSi	BLANK	

THIS DRAWING IS A CONTROLLED DOCUMENT.

DIMENSIONS:	TOLERANCES UNLESS OTHERWISE SPECIFIED:
mm	n. ISO 8015, n. ISO 2768- mH-E n. DIN 16901-14.0
	0 PLC ± 1 PLC ± 2 PLC ± 3 PLC ± 4 PLC ± ANGLES ±1°
MATERIAL	FINISH
SEE TABLE	SEE TABLE

DWN Rudolph 16-03-95	TE TE Connectivity	
CHK H. Pölber 20-03-95		
APVD -	NAME MAG MATE LEAF TERMINAL MARK II	
PRODUCT SPEC 108-2012	-	
APPLICATION SPEC 114-2046	-	
WEIGHT -	SIZE A3	CAGE CODE 00779
Customer Drawing	DRAWING NO C-964338	RESTRICTED TO -
SCALE 10:1		SHEET 1 OF 1
		REV D7