



Chipsmall Limited consists of a professional team with an average of over 10 year of expertise in the distribution of electronic components. Based in Hongkong, we have already established firm and mutual-benefit business relationships with customers from,Europe,America and south Asia,supplying obsolete and hard-to-find components to meet their specific needs.

With the principle of “Quality Parts,Customers Priority,Honest Operation,and Considerate Service”,our business mainly focus on the distribution of electronic components. Line cards we deal with include Microchip,ALPS,ROHM,Xilinx,Pulse,ON,Everlight and Freescale. Main products comprise IC,Modules,Potentiometer,IC Socket,Relay,Connector.Our parts cover such applications as commercial,industrial, and automotives areas.

We are looking forward to setting up business relationship with you and hope to provide you with the best service and solution. Let us make a better world for our industry!



## Contact us

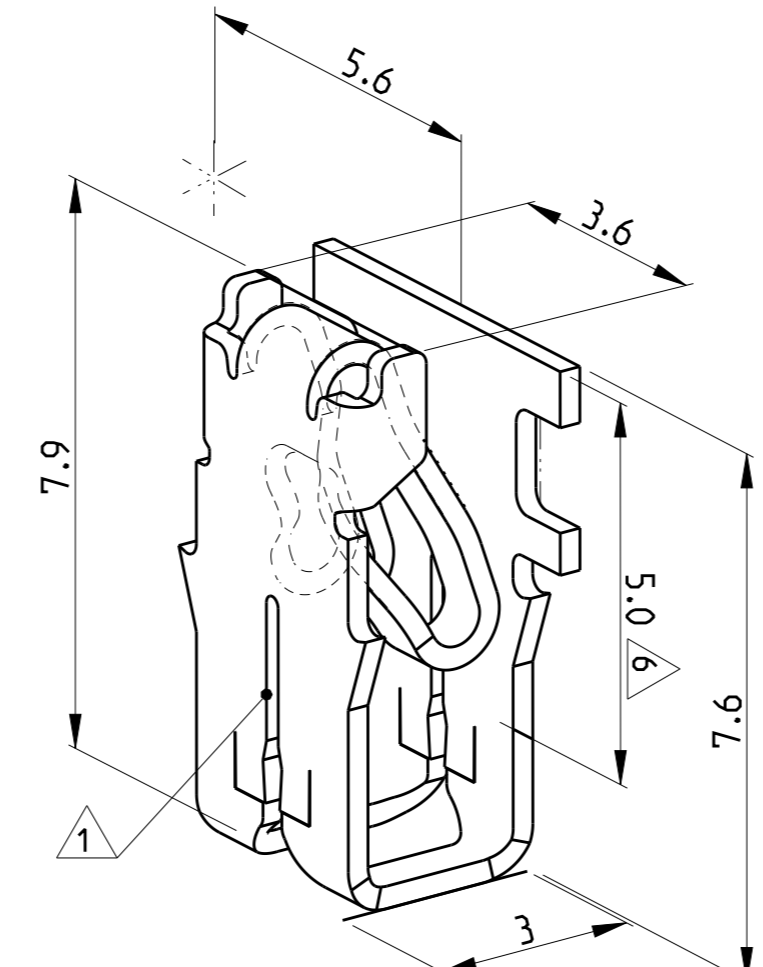
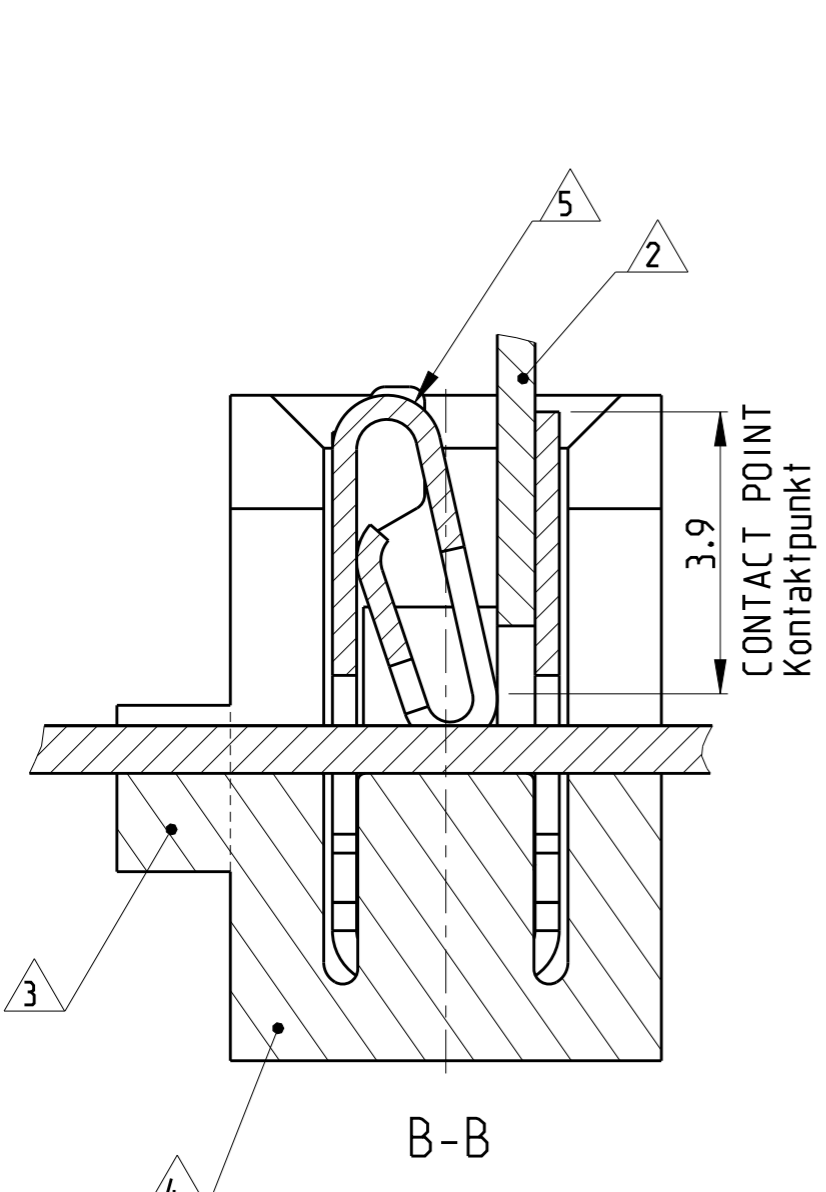
Tel: +86-755-8981 8866 Fax: +86-755-8427 6832

Email & Skype: info@chipsmall.com Web: www.chipsmall.com

Address: A1208, Overseas Decoration Building, #122 Zhenhua RD., Futian, Shenzhen, China

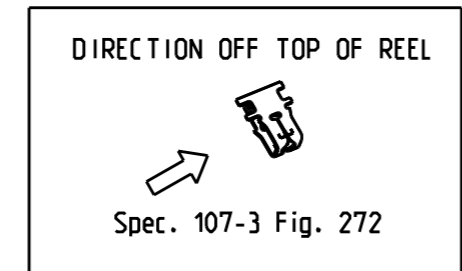


LOC	DIST	REVISIONS					
		P	LTR	DESCRIPTION	DATE	DWN	APVD
IR	-		D4	-7 OBSOLETE; 2- -7 ADDED	16JAN2013	PKS	RRP
			D5	PN 3-964339-2 ADDED	30OCT2013	PKS	RRP
			D6	OVERALL HEIGHT DIMENSIONS ADDED	14FEB2014	PKS	RRP
			D7	INTERLAYER PAPER CHANGE	03OCT2016	SV	PKS



- 1 SLOT ACCEPTS:  
 SINGLE MAGNET WIRE  $\varnothing 0.40 \dots 0.63$   
 DOUBLE MAGNET WIRE SAME DIAMETERS  $\varnothing 0.40 \dots 0.56 \text{mm}$   
 Kontakt geeignet fuer  
 Lackdraht, Einzeldraht  $\varnothing 0.40 \dots 0.63 \text{mm}$   
 Lackdraht, zwei Draehle gleichen Durchmessers  $\varnothing 0.40 \dots 0.56 \text{mm}$
- 2 POKE IN TAB TERMINAL 3.4x0.5mm  
 Poke in Flachstecker 3.4x0.5mm
- 3 AREA WILL BE CUT BY TERMINATION  
 Bereich wird beim Kontaktieren abgelrennt
- 4 CAVITY ACCORDING TO TE SPEC. 411-18512  
 Kontakt Kammer nach TE Spec. 411-18512
- 5 IDENTIFICATION NO. FOR MAGNET WIRE RANGE (10)  
 Kennziffer fuer Lackdrahtbereich (10)
- 6 OVER THE MARKED LENGTH:  
 UNDER GOLD FILM  
 SELECTIVE PALLADIUM OVER NICKEL  
 Ueber die gekennzeichnete Laenge:  
 Unter Goldschicht  
 selekt. Palladium ueber Nickel
- 7 WORKING TEMPERATURE 150°C  
 Einsatztemp. 150°C
- 8 REELED WITH PAPER INTERLAYER 0-737976-1  
 ON PLASTIC REEL 1-725652-0  
 Reeling mit Papierzwischenlage 0-737976-1  
 auf Kunststoffspulen 1-725652-0
- 9 REELED WITH PAPER INTERLAYER 782504-5  
 ON PLASTIC REEL 973053-3  
 Reeling mit Papierzwischenlage 782504-5  
 auf Kunststoffspulen 973053-3
- 10 REELED WITH PAPER INTERLAYER 1-782504-1  
 ON PLASTIC REEL 725652-4  
 Reeling mit Papierzwischenlage 1-782504-1  
 auf Kunststoffspulen 725652-4
- 11 REELED WITH CREPE PAPER INTERLAYER 2-725600-3  
 ON PLASTIC REEL 1-725652-0  
 Reeling mit Sprung Papierzwischenlage 2-725600-3  
 auf Kunststoffspulen 1-725652-0

	3-964339-2	11	A	-	CuNiSi	vorverzinnt	
	2-964339-7	10	A	-	CuNiSi	FLASH GOLD OVER NICKEL	
	2-964339-2		A	-	CuNiSi	TIN PLATED	-
OBSOLETE	964339-7		B	6, 7	CuNiSi		-
	964339-3	9	C	-	CuZn	vorverzinnt	-
	964339-2		B	-	CuNiSi	vorverzinnt	-
	964339-1		B	-	CuNiSi	BLANK	-
	PART NO	REV.	PCS.	MATERIAL	SURFACE COLOUR	ITEM NO	



THIS DRAWING IS A CONTROLLED DOCUMENT.		DWN Rudolph 16-03-05	TE Connectivity			
		CHK H. Pölber 20-03-95				
DIMENSIONS: mm		TOLERANCES UNLESS OTHERWISE SPECIFIED:		NAME MAG MATE LEAF TERMINAL MARK II		
		0 PLC $\pm 0.2$ 1 PLC $\pm 0.2$ 2 PLC $\pm 0.2$ 3 PLC $\pm 0.2$ 4 PLC $\pm 0.2$ ANGLES $\pm 1^\circ$		PRODUCT SPEC 108-2012		
MATERIAL SEE TABLE		FINISH SEE TABLE		APPLICATION SPEC 114-2046		
				WEIGHT -		
		Customer Drawing		SIZE A3	CAGE CODE 00779	DRAWING NO C-964339
				RESTRICTED TO -		
				SCALE 10:1 SHEET 1 OF 1 REV D7		