



Chipsmall Limited consists of a professional team with an average of over 10 year of expertise in the distribution of electronic components. Based in Hongkong, we have already established firm and mutual-benefit business relationships with customers from,Europe,America and south Asia,supplying obsolete and hard-to-find components to meet their specific needs.

With the principle of "Quality Parts,Customers Priority,Honest Operation,and Considerate Service",our business mainly focus on the distribution of electronic components. Line cards we deal with include Microchip,ALPS,ROHM,Xilinx,Pulse,ON,Everlight and Freescale. Main products comprise IC,Modules,Potentiometer,IC Socket,Relay,Connector.Our parts cover such applications as commercial,industrial, and automotives areas.

We are looking forward to setting up business relationship with you and hope to provide you with the best service and solution. Let us make a better world for our industry!



## Contact us

Tel: +86-755-8981 8866 Fax: +86-755-8427 6832

Email & Skype: info@chipsmall.com Web: www.chipsmall.com

Address: A1208, Overseas Decoration Building, #122 Zhenhua RD., Futian, Shenzhen, China



4

3

2

1

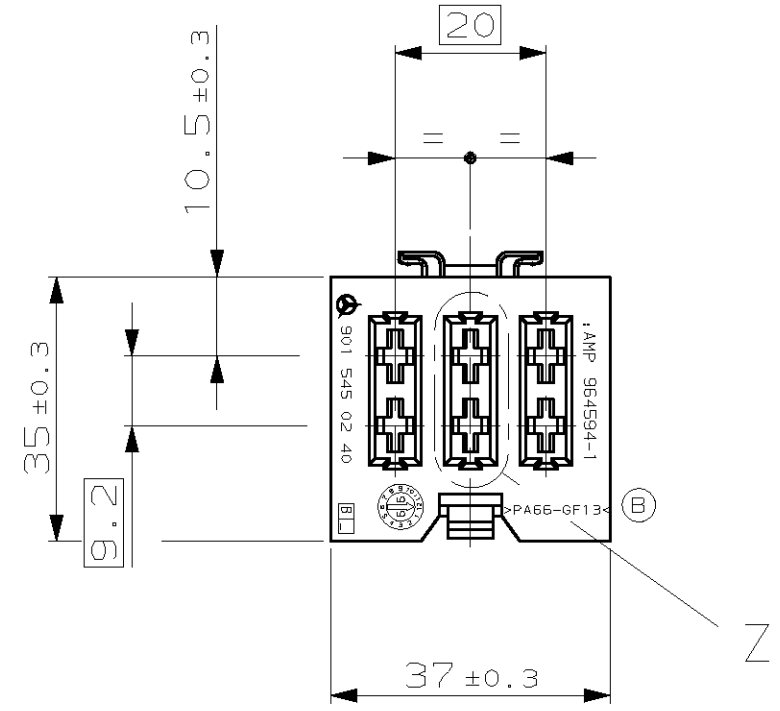
THIS DRAWING IS UNPUBLISHED. VERBAULICHE UNVERÖFFENTLICHTE ZEICHNUNG. RELEASED FOR PUBLICATION FREI FUER VERÖFFENTLICHUNG, 1997. MATED WITH: PASSEND ZU: -

LOC AI DIST -

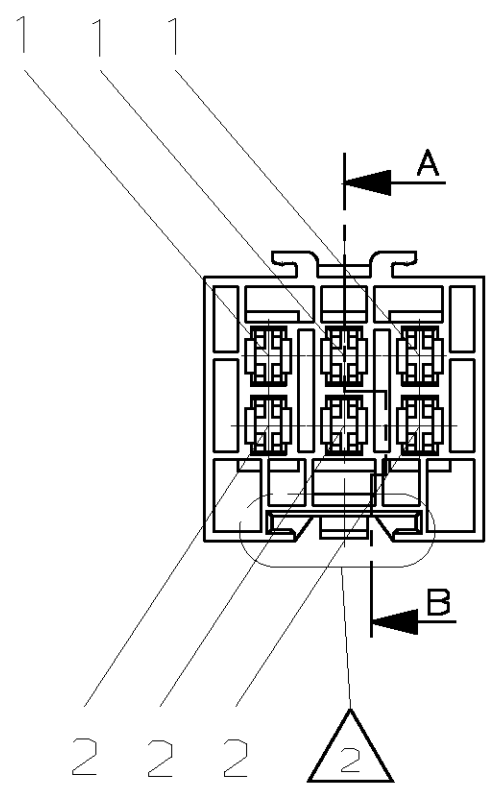
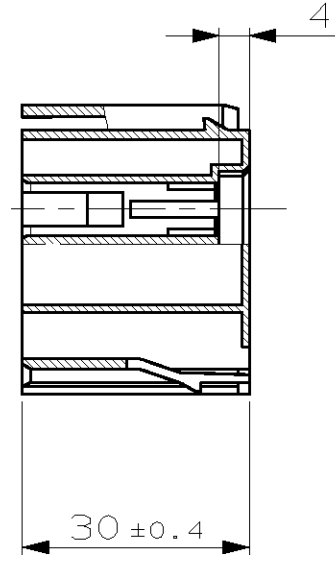
PROJEKT NR.: 92-52279

REVISIONS	DESCRIPTION	DATE	DWN	APVD
A	Zeichnung erstellt	28-OKT-97	Prokopi	-
B	Materialbezeichnung auf Teil korrigiert	06-APR-99	Gerlach	-
-	-	-	-	-

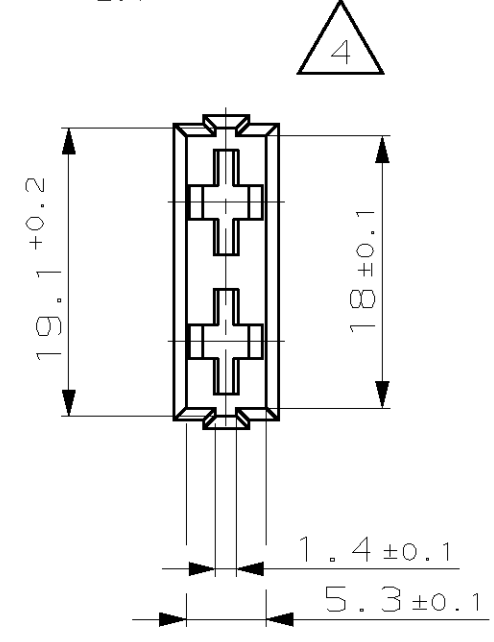
TERMINAL ALLOCATION  
Anschlußbelegung  
CAVITY/Kammer



SECTION A-B  
Schnitt



DETAIL "Z"  
Einzelheit  
2:1



REMARKS  
Bemerkungen

- 1 PARTS WILL BE SOLD WITH DAIMLERCHRYSLER TRADEMARK AND No. Teile werden mit DaimlerChrysler Warenzeichen und Nr. verkauft
- 2 DESIGNED FOR PANEL MOUNTING SEE DRAWING 92-52279-15 Passend zu Wandbefestigung siehe Ausführungsvorschrift 92-52279-15
- 3 CAVITY SUITABLE FOR STANDARD POWER TIMER-CONTACTS FOR WIRE RANGE MAX. 2.5 mm<sup>2</sup> Kontaktkammern passend für STANDARD POWER TIMER Kontakte max. Leitungsquerschnitt 2.5 mm<sup>2</sup>
- 4 DESIGNED FOR STANDARD TAB FUSE-LINK ACCORDING TO ISO 8820-3/DIN 72581-3, FORM C Ausgelegt fuer Flachsicherungseinsatz nach ISO 8820-3/DIN 72581-3, Form C

CUSTOMER PART NO	AMP PART NO	REV.	PCS.	MATERIAL	SURFACE COLOR	DESCRIPTION	ITEM NO
-	-	-	-	-	-	-	-
-	-	-	-	-	-	-	-
-	964 594-1	B	1	PA66-GF13	BLACK/Schwarz	HOLDER FOR 3x FUSE Halter für 3x Sicherung	1

<p>THIS DRAWING IS A CONTROLLED DOCUMENT FOR AMP INCORPORATED. IT IS SUBJECT TO CHANGE AND THE CONTROLLING ENGINEERING ORGANIZATION SHOULD BE CONTACTED FOR THE LATEST REVISION. DIESES ZEICHNUNGSDOKUMENT WIRD DURCH AMP INCORPORATED KONTROLLIERT. AENDERUNGEN, DIE DEM TECHNISCHEN FORTSCHRITT DIENEN, SIND VORBEHALTEN. DEN JEWEILS LETZTIGELTIGEN AENDERUNGSSTAND ERFAHREN SIE AUF ANFRAGE.</p>		<p>DWN S. Prokopi 22.OCT 97</p> <p>CHK Hass 30-OKT-97</p>		<p><b>AMP</b> AMP Deutschland GmbH D - 63225 Langen</p>	
<p>DIMENSIONS: DIMENSIONEN: mm</p>		<p>TOLERANCES UNLESS OTHERWISE SPECIFIED: ALL GEMEINTOLERANZEN n. 150 8015</p> <p>6 PLS ±0.5 mm 1 PLS ± 2 PLS ± 5 PLS ±</p>		<p>NAME FUSE HOLDER, 6POS. STANDARD POWER TIMER HSG. FOR FUSE TYPE C Sicherungshalter, 6pol. SPT Geh. f. Sicherung Typ C</p>	
<p>MATERIAL SEE TABLE</p>		<p>ANGLES / WINKEL ± FINISH / OBERFLAECHE / FARBE SEE TABLE</p>		<p>PRODUCT SPEC 108-18025 APPLICATION SPEC 114-18037 WEIGHT 19.5 gr CUSTOMER DRAWING / KUNDENZEICHNUNG</p>	
		<p>SIZE A3 CAGE CODE 00779 DRAWING NO. C-964594</p>		<p>RESTRICTED TO NUR FUER -</p>	
		<p>MASSSTAB 1:1</p>		<p>BLATT 1 OF 1 REV B</p>	