



Chipsmall Limited consists of a professional team with an average of over 10 year of expertise in the distribution of electronic components. Based in Hongkong, we have already established firm and mutual-benefit business relationships with customers from,Europe,America and south Asia,supplying obsolete and hard-to-find components to meet their specific needs.

With the principle of “Quality Parts,Customers Priority,Honest Operation,and Considerate Service”,our business mainly focus on the distribution of electronic components. Line cards we deal with include Microchip,ALPS,ROHM,Xilinx,Pulse,ON,Everlight and Freescale. Main products comprise IC,Modules,Potentiometer,IC Socket,Relay,Connector.Our parts cover such applications as commercial,industrial, and automotives areas.

We are looking forward to setting up business relationship with you and hope to provide you with the best service and solution. Let us make a better world for our industry!



Contact us

Tel: +86-755-8981 8866 Fax: +86-755-8427 6832

Email & Skype: info@chipsmall.com Web: www.chipsmall.com

Address: A1208, Overseas Decoration Building, #122 Zhenhua RD., Futian, Shenzhen, China



4

3

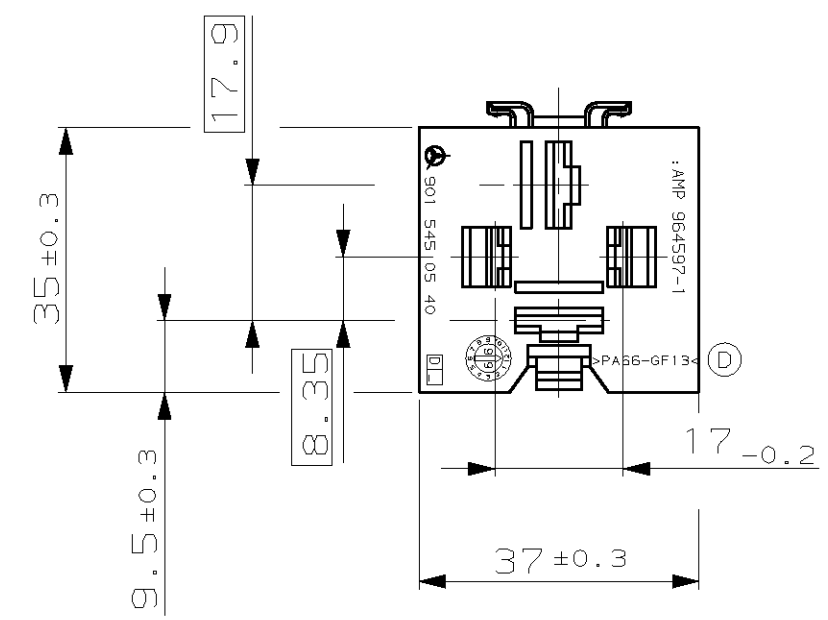
2

1

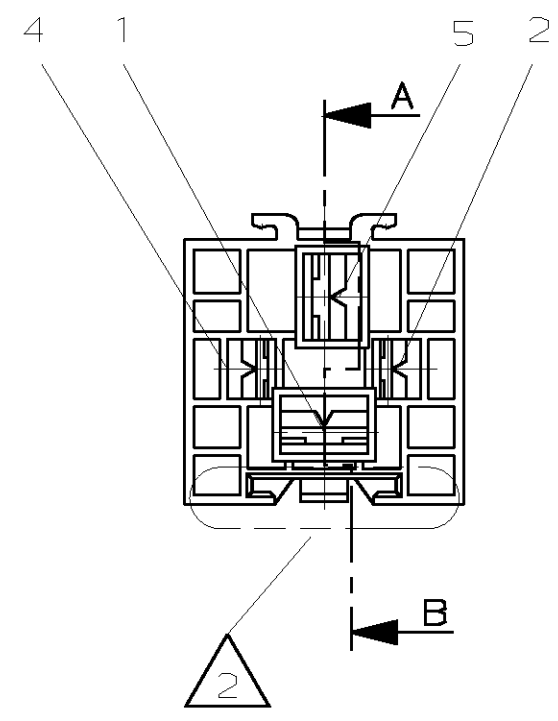
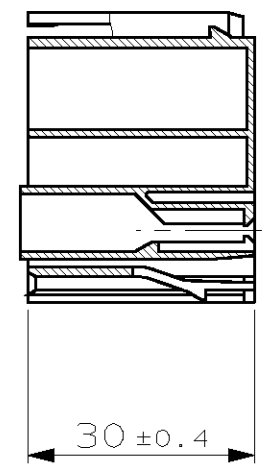
THIS DRAWING IS UNPUBLISHED. VERBAULICHE UNVERÖFFENTLICHTE ZEICHNUNG. RELEASED FOR PUBLICATION FREI FUER VERÖFFENTLICHUNG. 1997. MATED WITH: PASSEND ZU: -

LOC AI		DIST -		REVISIONS			
PROJECT NR.: 92-52279		P	LTR	DESCRIPTION	DATE	DWN	APVD
				Zeichnung erstellt	29-OKT-97	Prokopi	-
				Materialbezeichnung auf Teil korrigiert	06-APR-99	Gerlach	Haß
		-	-		-	-	-

TERMINAL ALLOCATION
Anschlußbelegung
CAVITY/Kammer



SECTION A-B
Schnitt



REMARKS
Bemerkungen

- 1 PARTS WILL BE SOLD WITH DAIMLERCHRYSLER TRADEMARK AND No. Teile werden mit DaimlerChrysler Warenzeichen und Nr. verkauft
- 2 DESIGNED FOR PANEL MOUNTING SEE DRAWING 92-52279-15 Passend zu Wandbefestigung siehe Ausführungsvorschrift 92-52279-15
- 3 CAVITY SUITABLE FOR 6.3 AND 9.5mm FASTIN-FASTON-CONTACTS FOR WIRE RANGE MAX. 2x4mm²/2x6mm² Kontaktkammern passend für 6.3 und 9.5mm FASTIN-FASTON Kontakte max. Leitungsquerschnitt 2x4mm²/2x6mm²
- 4 DESIGNED FOR RELAIS ACC. TO ISO 7588-1 Ausgelegt für Leistungsrelais nach ISO 7588-1

-	-	-	-	-	-	-	-
-	-	-	-	-	-	-	-
-	-	-	-	-	-	-	-
-	964597-1	D	1	PA66-GF13	GREY/Grau	HOLDER FOR 4P. RELAIS Halter für 4p. Relais	1
CUSTOMER PART NO	AMP PART NO	REV.	PCS.	MATERIAL	SURFACE COLOR	DESCRIPTION	ITEM NO

THIS DRAWING IS A CONTROLLED DOCUMENT FOR AMP INCORPORATED. IT IS SUBJECT TO CHANGE AND THE CONTROLLING ENGINEERING ORGANIZATION SHOULD BE CONTACTED FOR THE LATEST REVISION. DIESSES ZEICHNUNGSDOKUMENT WIRD DURCH AMP INCORPORATED KONTROLLIERT. AENDERUNGEN, DIE DEM TECHNISCHEN FORTSCHRITT DIENEN, SIND VORBEHALTEN. DEN JEWEILS LETZTIGELTIGEN AENDERUNGSSTAND ERFAHREN SIE AUF ANFRAGE.		DWN S.Prokopi 24.OCT 97 CHK Hass 30-OKT-97		AMP AMP Deutschland GmbH D - 63225 Langen	
DIMENSIONS: DIMENSIONEN: mm 		TOLERANCES UNLESS OTHERWISE SPECIFIED, ALL GEMEINTOLERANZEN n. 150 8015 6 PLS ±0.5 mm 1 PLS ± 2 PLS ± 3 PLS ± 5 PLS ±		NAME: POWER RELAY HOLDER, 4POS. FASTIN-FASTON HSG. (2x6.3mm/2x9.5mm) Leisungsrelaishalter, 4pol. FF Geh. (2x6.3mm/2x9.5mm)	
MATERIAL: SEE TABLE		FINISH/OBERFLAECHE/FARBE: SEE TABLE		APPLICATION SPEC: 108-18397 VERARBEITUNGSSPEZ.: WEIGHT GEWICHT: 16.5 gr SIZE: A3 CAGE CODE: 00779 DRAWING NO ZEICHNUNGS-NR.: C-964597	
CUSTOMER DRAWING /KUNDENZEICHNUNG				MASSSTAB 1:1 BLATT 1 OF 1 VON 1 REV D	