



Chipsmall Limited consists of a professional team with an average of over 10 year of expertise in the distribution of electronic components. Based in Hongkong, we have already established firm and mutual-benefit business relationships with customers from,Europe,America and south Asia,supplying obsolete and hard-to-find components to meet their specific needs.

With the principle of “Quality Parts,Customers Priority,Honest Operation,and Considerate Service”,our business mainly focus on the distribution of electronic components. Line cards we deal with include Microchip,ALPS,ROHM,Xilinx,Pulse,ON,Everlight and Freescale. Main products comprise IC,Modules,Potentiometer,IC Socket,Relay,Connector.Our parts cover such applications as commercial,industrial, and automotives areas.

We are looking forward to setting up business relationship with you and hope to provide you with the best service and solution. Let us make a better world for our industry!



Contact us

Tel: +86-755-8981 8866 Fax: +86-755-8427 6832

Email & Skype: info@chipsmall.com Web: www.chipsmall.com

Address: A1208, Overseas Decoration Building, #122 Zhenhua RD., Futian, Shenzhen, China



4

3

2

1

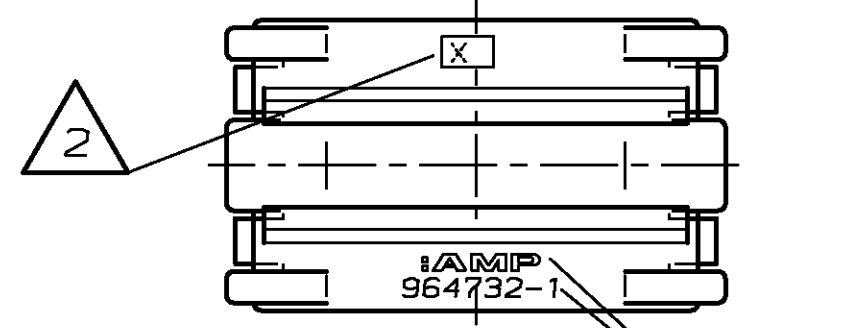
| | | | | | | | | | |
|---|--|---|--|--|--|------|----------|-------|------|
| NICHT VERMASSTE KANTEN SIND NICHT MAßSTÄBLICH | | ÄNDERUNGEN DIE DEM TECHNISCHEN FORTSCHRITT DIENEN, BEHALTEN WIR UNS VOR | | ZEICHNUNG GESCHÜTZT DURCH ©COPYRIGHT 1994 AMP DEUTSCHLAND GMBH ALLE RECHTE VORBEHALTEN | | REV. | ÄNDERUNG | DATUM | NAME |
| | | | | | | - | - | - | - |

VERWENDET MIT 964 731 NUMMER 964 732

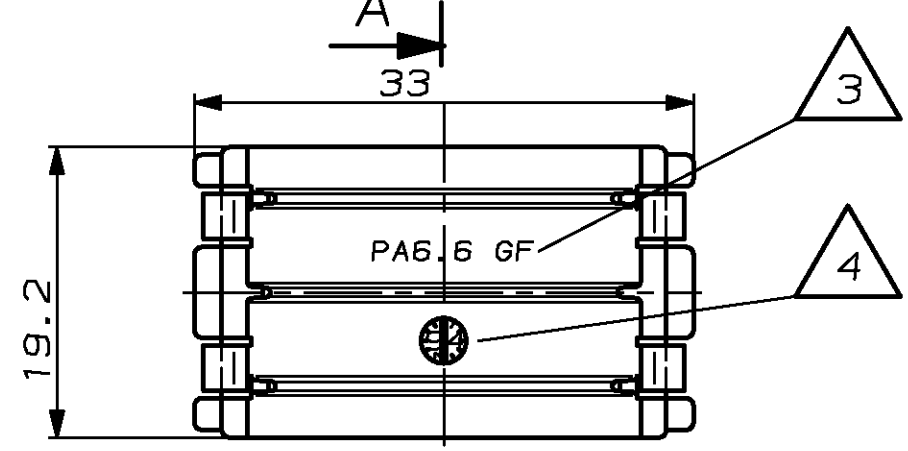
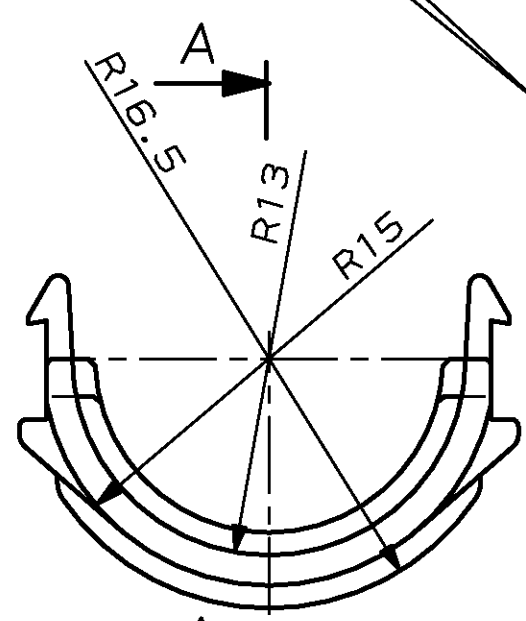
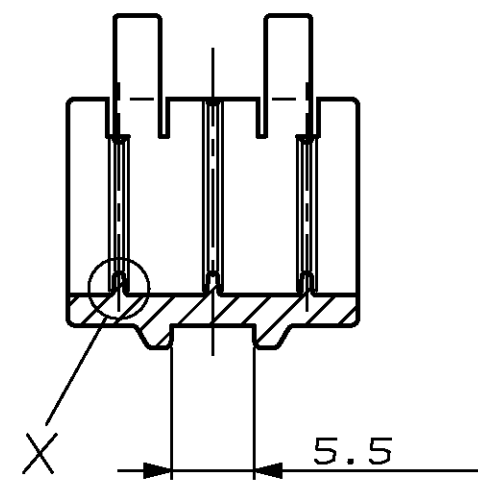
CAD-ORIGINAL ZEICHNUNG NICHT ÄNDERN

LOC AI DIST

MAR NR. 93-52264-3 PASSEND ZU



Schnitt A-A



Bemerkungen

- △ 1 AMP-Logo und AMP-Nummer
- △ 2 Werkzeugänderungsindex
- △ 3 Werkstoffkennzeichnung
- △ 4 Produktionsdatum
- 5 Passend für Wellrohr NW 22

| | | | | | | | | | |
|-------------|------|-------|----------------------|-------------|------------------|---|-----|--------------|---------------------------|
| | | | | | | ZEICHNUNG GÜLTIG AB | | | |
| | | | | | | AMP AMP DEUTSCHLAND GmbH D-63225 Langen | | | |
| | | | | | | BENENNUNG | | | |
| | | | | | | Befestigungsschale für Wellrohranschluß | | | |
| | | | | | | K | | | |
| 964 732-1 | - | 1 | Befestigungsschale | PA 6.6 GF13 | schwarz | NICHT TOLERIERTE MASSE ± 0.4mm | | FORMAT A3 | ZEICHNUNGS-NR. 964 732 |
| BESTELL-NR. | POS. | STÜCK | BENENNUNG EINZELTEIL | WERKSTOFF | OBERFLÄCHE FARBE | ± - | | BLATT | REV. |
| | | | GEZ. J. Schneider | 08-JUN-94 | GEPR. J. Ryll | 16-JUN-94 | | 1 VON 1 | A |
| | | | | | | MASSTAB | 2:1 | | |