



Chipsmall Limited consists of a professional team with an average of over 10 year of expertise in the distribution of electronic components. Based in Hongkong, we have already established firm and mutual-benefit business relationships with customers from,Europe,America and south Asia,supplying obsolete and hard-to-find components to meet their specific needs.

With the principle of "Quality Parts,Customers Priority,Honest Operation,and Considerate Service",our business mainly focus on the distribution of electronic components. Line cards we deal with include Microchip,ALPS,ROHM,Xilinx,Pulse,ON,Everlight and Freescale. Main products comprise IC,Modules,Potentiometer,IC Socket,Relay,Connector.Our parts cover such applications as commercial,industrial, and automotives areas.

We are looking forward to setting up business relationship with you and hope to provide you with the best service and solution. Let us make a better world for our industry!



Contact us

Tel: +86-755-8981 8866 Fax: +86-755-8427 6832

Email & Skype: info@chipsmall.com Web: www.chipsmall.com

Address: A1208, Overseas Decoration Building, #122 Zhenhua RD., Futian, Shenzhen, China



LOC A1	DIST —	REVISIONS ÄNDERUNGEN DESCRIPTION BESCHREIBUNG			DATE	DWN	APVD
		P	LTR		29DEC11	RK	HMR
		B2	REVISED PER ECR-11-025934				

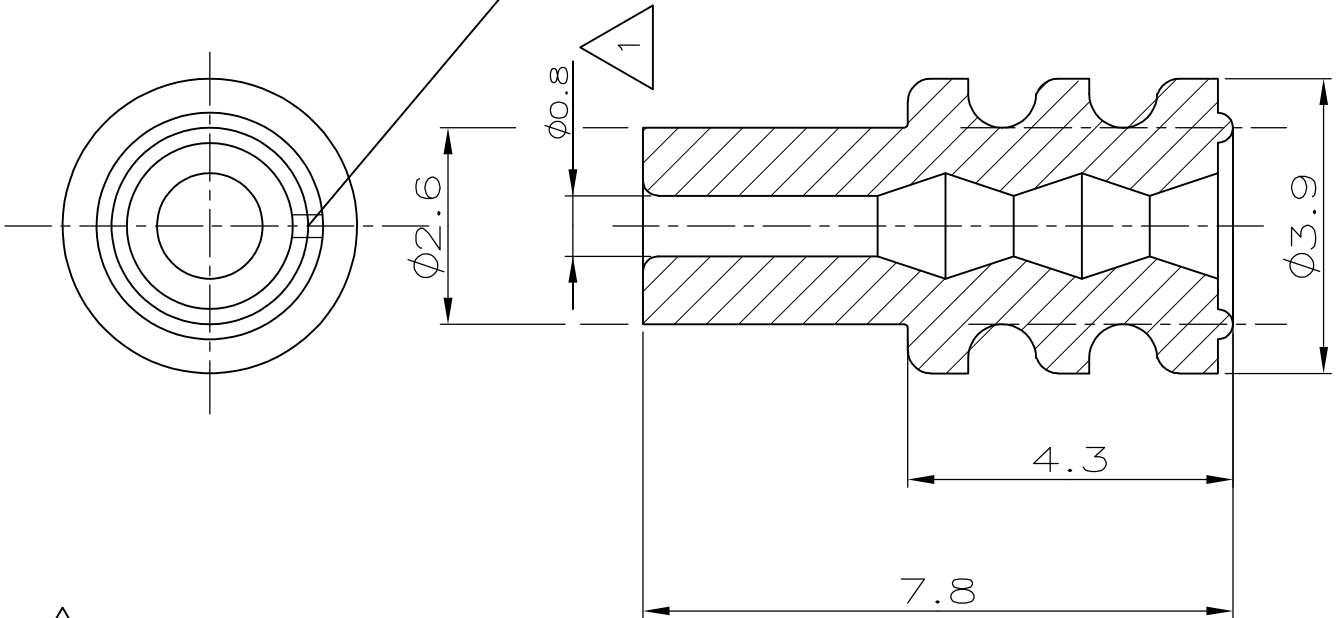
ZEICHNUNG GESCHÜTZT DURCH
©COPYRIGHT 1996
AMP DEUTSCHLAND GMBH
ALLE RECHTE VORBEHALTEN

ÄNDERUNGEN, DIE DEM
TECHNISCHEN FORT-
SCHRITT DIENEN, BE-
HALTEN WIR UNS VOR



M 1 : 1

wahlweise unterbrochen



1 Für Isolationsø 1.2–1.6mm (0.35–0.5mm² FLR)

RELEASED FOR PUBLICATION
 FREI FÜR VERÖFFENTLICHUNG
 ALL RIGHTS RESERVED.
 THIS DRAWING IS UNPUBLISHED.
 VERTRAULICHE UNVERÖFFENTLICHTE ZEICHNUNG.
 COPYRIGHT — By —

964971-1	SILIKON SHORE A 50° lubriziert	rot
----------	--------------------------------------	-----

BESTELL-NR.	WERKSTOFF	OBERFLÄCHE FARBE	ZEICHNUNG GÜLTIG AB
-------------	-----------	---------------------	---------------------------

DIMENSIONS: MASSENHEITEN mm TOLERANCES UNLESS OTHERWISE SPECIFIED: ALLGEMEINTOLERANZEN 0 PLC ± - 1 PLC ± 0.2 mm 2 PLC ± - 3 PLC ± - 4 PLC ± - ANGLES / WINKEL ± -	DWN R. Schaefer 01-Apr-96	MATERIAL -	FINISH OBERFLAECHE/FARBE -
	CHK U. Muenk 01-Apr-96	TE Connectivity	
APVD -	NAME Einzelleiterdichtung fuer Flachkontakt u. Flachstecker 1,5mm (Mikro-Timer 2 Kontaktsystem)		
PRODUCT SPEC PRODUKTSPEZ. -	SIZE A4	CAGE CODE 00779	DRAWING NO ZEICHNUNGS-NR. 964971
APPLICATION SPEC VERARBEITUNGSSPEZ. -	RESTRICTED TO NUR FUER -		
WEIGHT GEWICHT -	CUSTOMER DRAWING / KUNDENZEICHNUNG		SCALE MASSSTAB 10:1
		SHEET BLATT 1 OF 1 VON 1	REV B2