



Chipsmall Limited consists of a professional team with an average of over 10 year of expertise in the distribution of electronic components. Based in Hongkong, we have already established firm and mutual-benefit business relationships with customers from,Europe,America and south Asia,supplying obsolete and hard-to-find components to meet their specific needs.

With the principle of “Quality Parts,Customers Priority,Honest Operation,and Considerate Service”,our business mainly focus on the distribution of electronic components. Line cards we deal with include Microchip,ALPS,ROHM,Xilinx,Pulse,ON,Everlight and Freescale. Main products comprise IC,Modules,Potentiometer,IC Socket,Relay,Connector.Our parts cover such applications as commercial,industrial, and automotives areas.

We are looking forward to setting up business relationship with you and hope to provide you with the best service and solution. Let us make a better world for our industry!



## Contact us

Tel: +86-755-8981 8866 Fax: +86-755-8427 6832

Email & Skype: info@chipsmall.com Web: www.chipsmall.com

Address: A1208, Overseas Decoration Building, #122 Zhenhua RD., Futian, Shenzhen, China



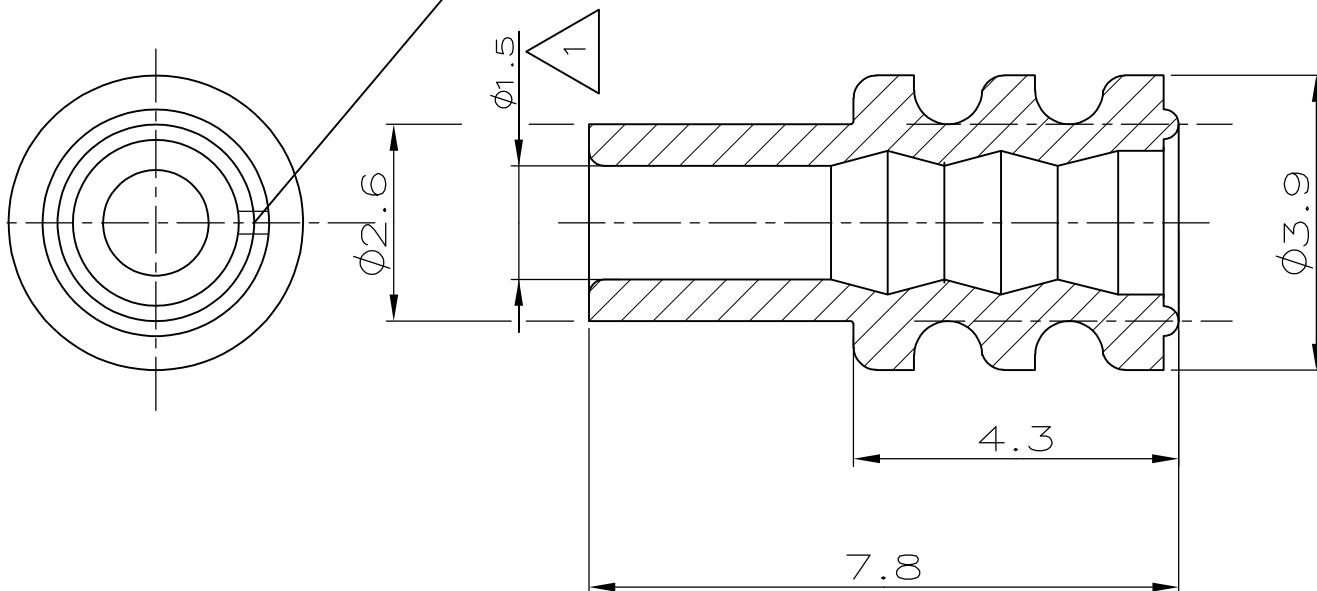
WAR NR. PASSEND ZU -	LOC A1	DIST -	REVISIONS ÄNDERUNGEN DESCRIPTION BESCHREIBUNG			DATE	DWN	APVD
VERWENDET FÜR			P	LTR				
				A2	REVISED PER ECO-11-005150	21MAR11	RK	HMR

ÄNDERUNGEN, DIE DEM TECHNISCHEN FORTSCHRITT DIENEN, BEHALTEN WIR UNS VOR



M 1:1

wahlweise unterbrochen



1 Für Isolationsø 1.9-2.4mm (1mm<sup>2</sup> und 1.5mm<sup>2</sup> FLR)

964972-1	SILIKON SHORE A 50° lubriziert	gelb
BESTELL-NR.	WERKSTOFF	OBERFLÄCHE FARBE

DIMENSIONS: MASSENHHEITEN mm	DWN R. Schäfer	01-Apr-96	MATERIAL SILIKON	FINISH OBERFLAECHE/FARBE	-	
	CHK U. Münk	01-Apr-96	TE Connectivity			
TOLERANCES UNLESS OTHERWISE SPECIFIED: ALLGEMEINTOLERANZEN	APVD	-				NAME Einzelleiterdichtung
0 PLC ± -	PRODUCT SPEC PRODUKTSPEZ.	-	SIZE	CAGE CODE	DRAWING NO ZEICHNUNGS-NR.	RESTRICTED TO NUR FUER
1 PLC ± 0.2 mm	APPLICATION SPEC VERARBEITUNGSSPEZ.	-	A4	00779	G-964972	-
2 PLC ± -	WEIGHT GEWICHT	-	CUSTOMER DRAWING/KUNDENZEICHNUNG			SCALE MASSTAB
3 PLC ± -			10:1			SHEET BLATT
4 PLC ± -			1			OF VON
ANGLES /WINKEL ± -			1			REV A2