



Chipsmall Limited consists of a professional team with an average of over 10 year of expertise in the distribution of electronic components. Based in Hongkong, we have already established firm and mutual-benefit business relationships with customers from,Europe,America and south Asia,supplying obsolete and hard-to-find components to meet their specific needs.

With the principle of “Quality Parts,Customers Priority,Honest Operation,and Considerate Service”,our business mainly focus on the distribution of electronic components. Line cards we deal with include Microchip,ALPS,ROHM,Xilinx,Pulse,ON,Everlight and Freescale. Main products comprise IC,Modules,Potentiometer,IC Socket,Relay,Connector.Our parts cover such applications as commercial,industrial, and automotives areas.

We are looking forward to setting up business relationship with you and hope to provide you with the best service and solution. Let us make a better world for our industry!



Contact us

Tel: +86-755-8981 8866 Fax: +86-755-8427 6832

Email & Skype: info@chipsmall.com Web: www.chipsmall.com

Address: A1208, Overseas Decoration Building, #122 Zhenhua RD., Futian, Shenzhen, China



4

3

2

1

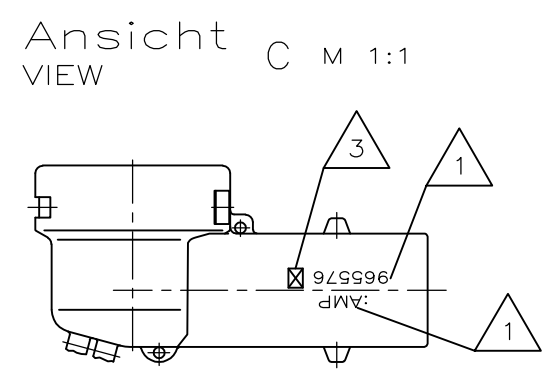
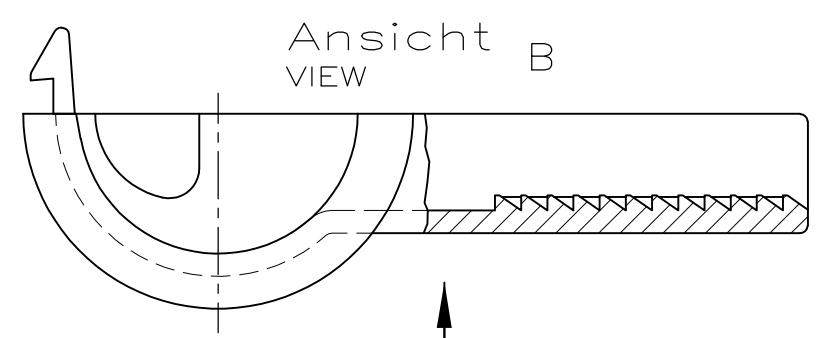
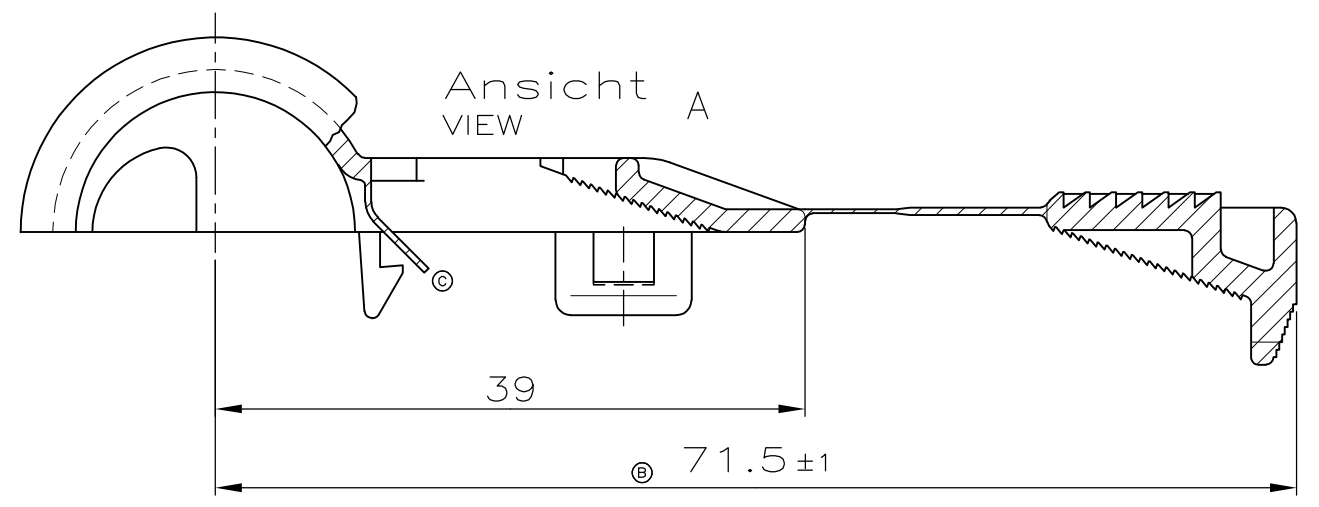
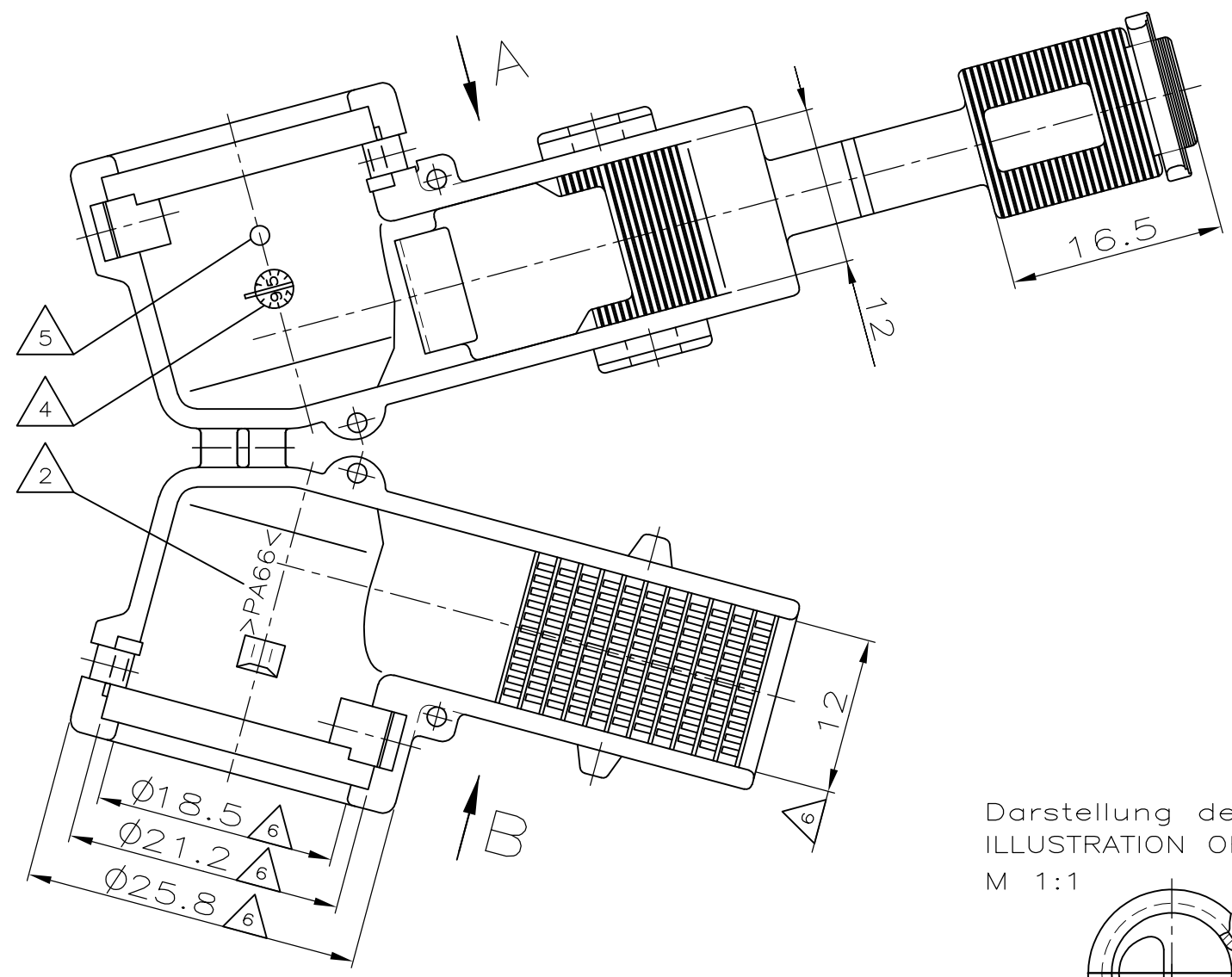
THIS DRAWING IS UNPUBLISHED.
 VERTRAULICHE UNVERÖFFENTLICHTE ZEICHNUNG

RELEASED FOR PUBLICATION
 FREI FUER VERÖFFENTLICHUNG

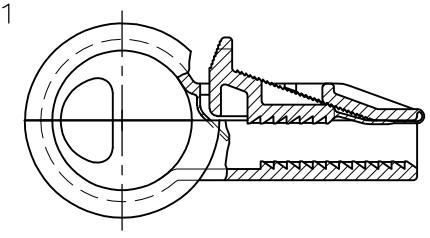
© COPYRIGHT - By -
 ALL RIGHTS RESERVED.
 ALLE RECHTE VORBEHALTEN

LOC	DIST	P	LTR	REVISIONS ÄNDERUNGEN	DATE	DWN	APVD
A1	-			DESCRIPTION BESCHREIBUNG			
			C1	REVISED PER ECO-11-005150	21MAR11	RK	HMR

WAR NR.
 VERWENDET FÜR
 PASSEND ZU 967325,967326
 967402,967447



Darstellung der verrasteten Kappe
 ILLUSTRATION OF ASSEMBLED CAP
 M 1:1



Bemerkungen
 NOTES

- 1 AMP-Logo und AMP-Nummer
AMP LOGO AND AMP NUMBER
- 2 Werkstoffkennzeichnung
MATERIAL MARKING
- 3 Werkzeugaenderungsindex
REVISION OF THE MOULD
- 4 Produktionsdatum
PRODUCTION DATE
- 5 Nestmarkierung
CAVITY MARKING
- 6 Verzug vom Nennmaß bis
-0.8mm zugelassen
WARPAGE FROM NOM. DIMENSION
UP TO -0.8MM ALLOWED

965576-1	-	-	Kappe 90° m. variabler Klemmung CAP 90° FOR VARIABLE FIXING	PA 66	schwarz/BLACK
Bestell-Nr. ORDER-NR.	POS.	Stück QTY	Benennung Einzelteil DESCRIPTION SINGLE PART	Werkstoff MATERIAL	Oberfläche/SURFACE Farbe/COLOUR

THIS DRAWING IS A CONTROLLED DOCUMENT. DIESE ZEICHNUNG IST EIN KONTROLLIERTES DOKUMENT.		DWN J.Granzow 07.06.95	TE Connectivity Kappe 90DEG mit variabler Klemmung CAP 90DEG FOR VARIABLE FIXING		
DIMENSIONS: MASSE/WEITEN: mm 		CHK J.Hass 08.06.95			
TOLERANCES UNLESS OTHERWISE SPECIFIED: ALLGEMEINTOLERANZEN 0 PLC ± - 1 PLC ± 0.4 2 PLC ± - 3 PLC ± - 4 PLC ± - ANGLES / WINKEL ± 2°		APVD -	NAME		
MATERIAL		FINISH/OBERFLAECHE/FARBE	PRODUCT SPEC PRODUKTSPEZ.	APPLICATION SPEC VERARBEITUNGSSPEZ.	RESTRICTED TO NUR FUER
-		-	WEIGHT GEWICHT	SIZE A3	CAGE CODE 00779
CUSTOMER DRAWING/KUNDENZEICHNUNG			DRAWING NO ZEICHNUNGS-NR. C-965576	SCALE MASSTAB 2:1	SHEET BLATT 1 OF VON 1
			REV C1		