



Chipsmall Limited consists of a professional team with an average of over 10 year of expertise in the distribution of electronic components. Based in Hongkong, we have already established firm and mutual-benefit business relationships with customers from,Europe,America and south Asia,supplying obsolete and hard-to-find components to meet their specific needs.

With the principle of “Quality Parts,Customers Priority,Honest Operation,and Considerate Service”,our business mainly focus on the distribution of electronic components. Line cards we deal with include Microchip,ALPS,ROHM,Xilinx,Pulse,ON,Everlight and Freescale. Main products comprise IC,Modules,Potentiometer,IC Socket,Relay,Connector.Our parts cover such applications as commercial,industrial, and automotives areas.

We are looking forward to setting up business relationship with you and hope to provide you with the best service and solution. Let us make a better world for our industry!



Contact us

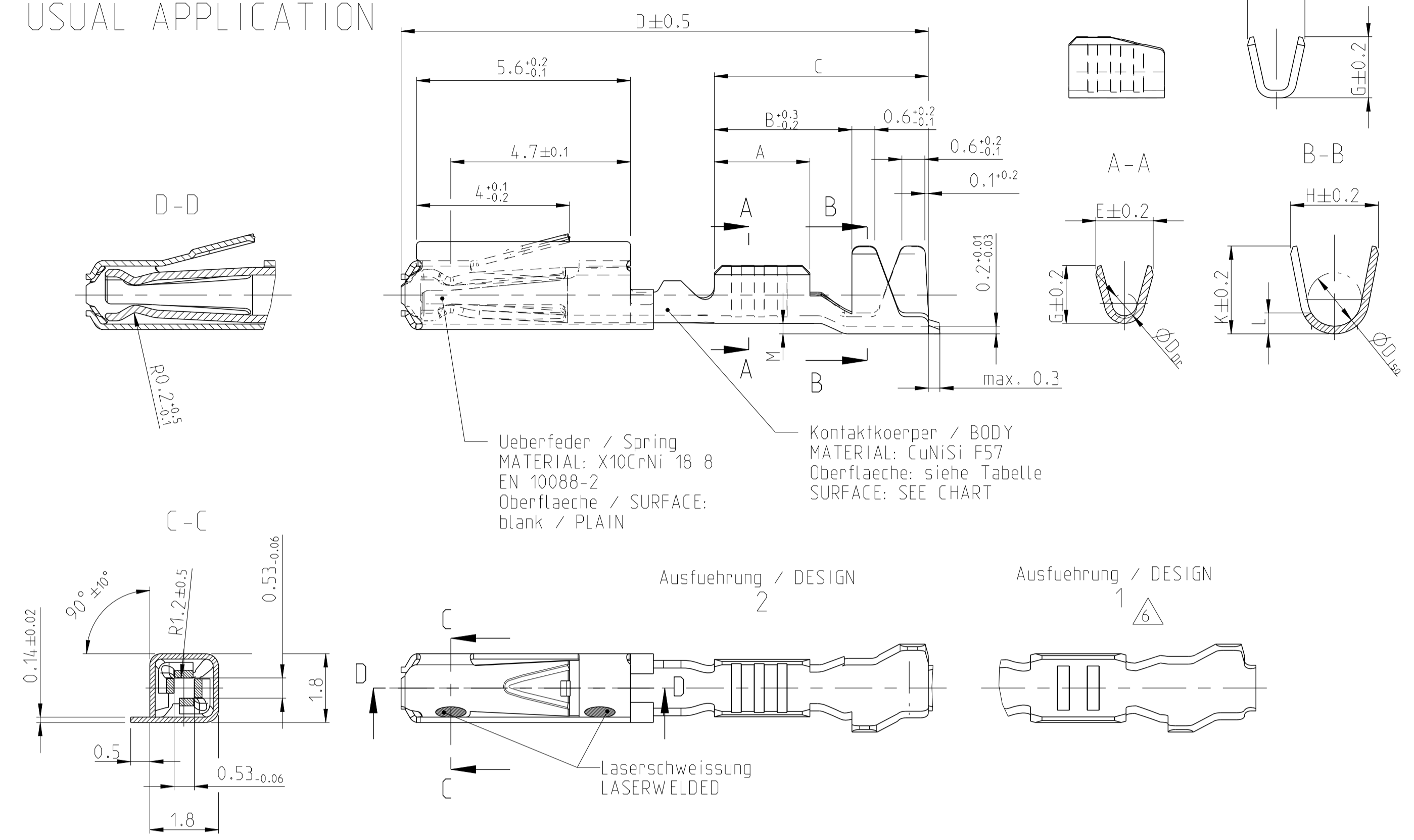
Tel: +86-755-8981 8866 Fax: +86-755-8427 6832

Email & Skype: info@chipsmall.com Web: www.chipsmall.com

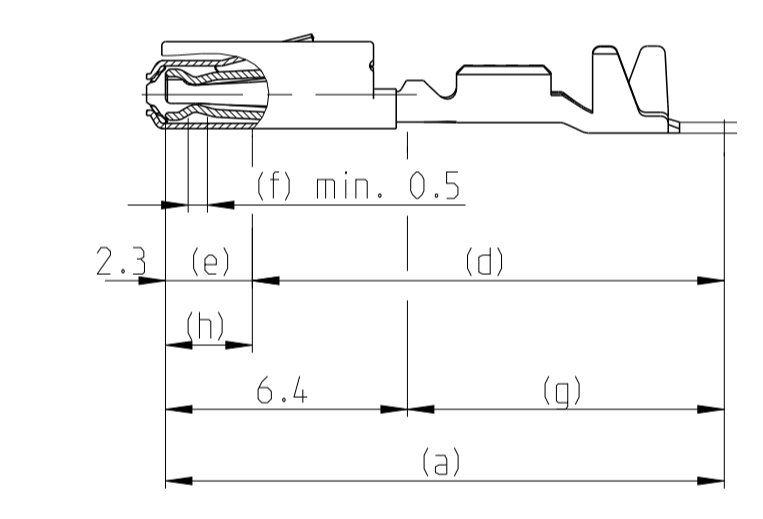
Address: A1208, Overseas Decoration Building, #122 Zhenhua RD., Futian, Shenzhen, China



Normale Anwendung
 USUAL APPLICATION



Oberflaeche / FINISH



Sn: verzinnete Ausfuehrung
 TINNED
 (a) Kontaktkoerper: 0.8 - 2 µm Sn
 BODY: 0.8 - 2 µm Sn

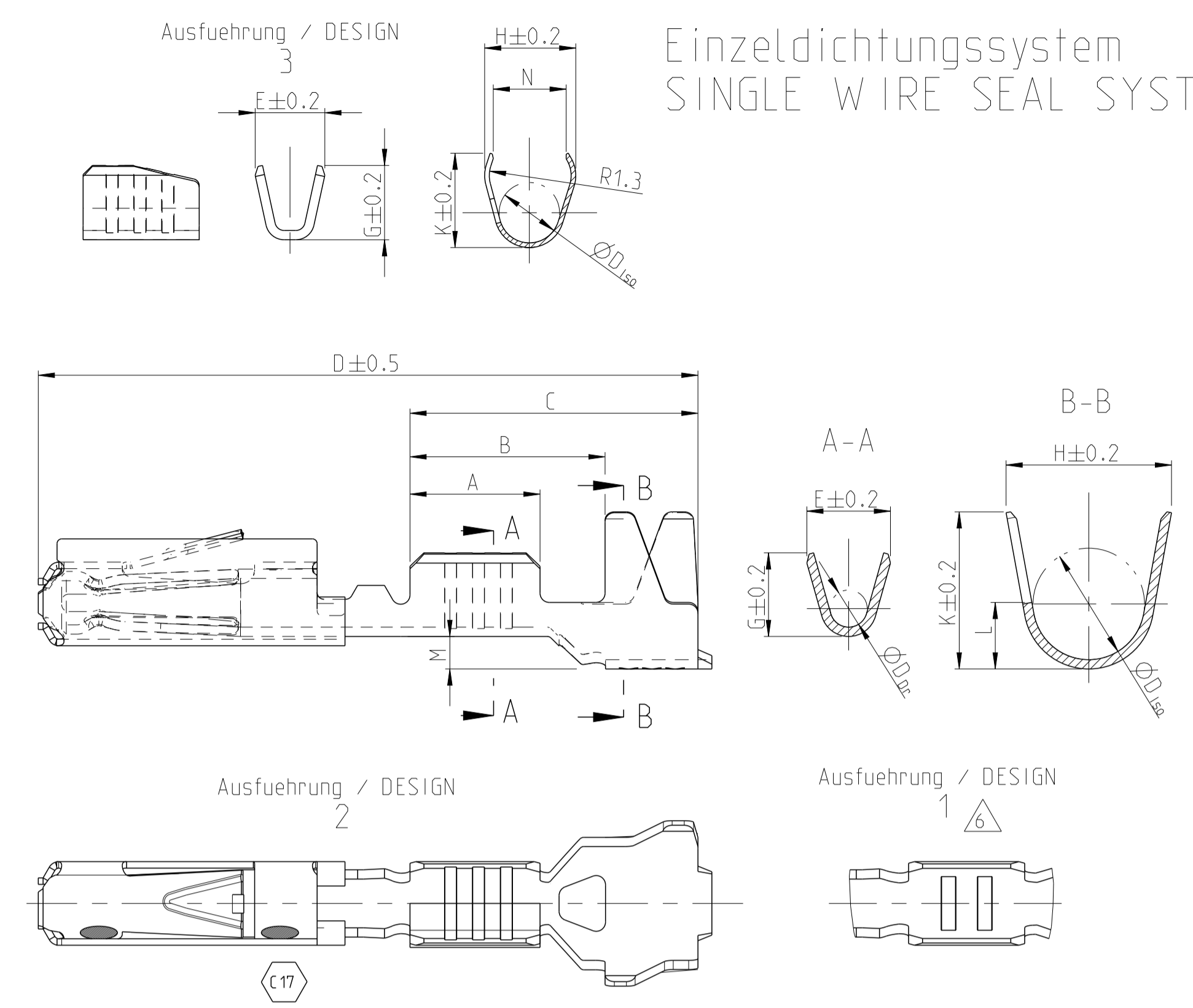
Ag: versilbert
 SILVER
 (e) min. 0.3 µm Ag
 (f) min. 2.8 µm Ag INSIDE
 min. 2.8 µm Ag innen
 (g) min. 0.2 µm Sn

Au (galvanisch): galvanisch vergoldet
 GOLD-ELECTROPLATED
 (d) 0.05-1 µm Ni, beidseitig
 0.05-1 µm Ni, ON BOTH SIDES
 (e) 1-3 µm Ni, beidseitig
 1-3 µm Ni, ON BOTH SIDES
 (f) min. 1.8 µm Au ueber (e), innen
 MIN. 1.8 µm Au OVER (e), INSIDE
 (g) min. 0.2 µm Sn ueber (d), beidseitig
 MIN. 0.2 µm Sn OVER (d), ON BOTH SIDES
 (h) Au galvanisch austaufend
 Au OVERPLATING

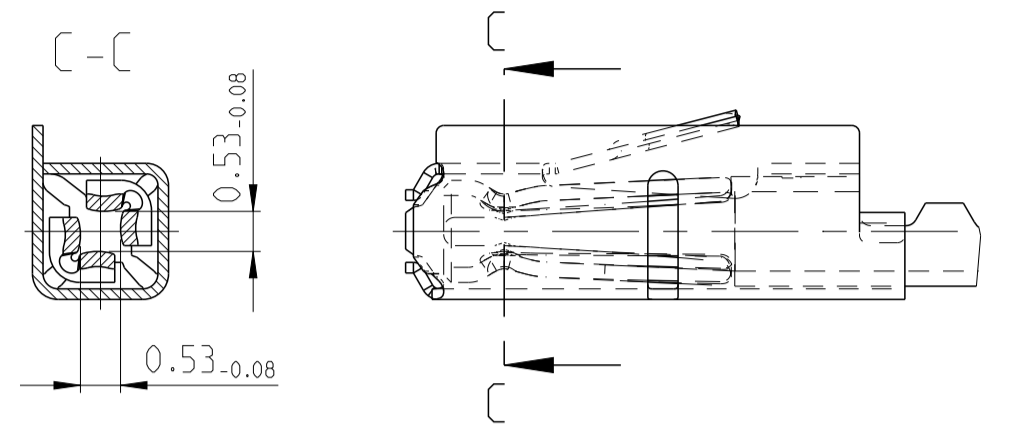
6-965906-5	E	1-965906-5	D	Einzel-dichtungssystem SINGLE WIRE SEAL SYSTEM	0.50-0.75	Au+Gel	A = 2.8	F = 2	H = 3.5	0.13	0.75	1.4-1.9	967067-1	963142-1	blau / BLUE
5-965906-6	D	965906-6	C				B = 4.2	G = 2.1	K = 3.4						
5-965906-5	E	965906-5	D	0.25-0.35	Au	A = 2.5	F = 1.8	H = 3.5	0.13	0.35	0.9-1.4	967067-2	963142-2	blau / BLUE	
5-962885-6	J	962885-6	C			B = 3.9	G = 1.8	K = 3.4							
5-962885-5	K	962885-5	J			C = 5.9	D _{Dr} = 0.8	L = 1.5							
5-962885-1	J	962885-1	H	0.13 / 0.17	Sn	A = 2.5	F = 1.5	H = 4	0.1	0.13	0.85-1.25	967067-2	963142-2	blau / BLUE	
2141826-6	A					B = 4.3	G = 1.4	K = 4.1							
2141826-5	A					C = 6.2	D = 13.7	L = 3.1							
2141826-1	A			0.50-0.75	Au+Gel	A = 2.8	F = 2	H = 2.7	0.11	0.5	1.4-1.9	967067-1	963142-1	schwarz BLACK	
6-963715-5	K	1-963715-5	J			B = 3.8	G = 2.1	K = 2.9							
5-963715-6	J	963715-6	H			C = 5.6	D _{Dr} = 1	L = 0.7							
5-963715-5	K	963715-5	J	0.25-0.35	Au	A = 2.5	F = 1.8	H = 2.3	0.11	0.35	0.9-1.4	967056-1	963142-2	blau / BLUE	
5-963715-1	J	963715-1	H			B = 3.6	G = 1.8	K = 2.3							
6-928999-5	T	1-928999-5	S			C = 5.6	D _{Dr} = 0.8	L = 0.6							
5-928999-6	S	928999-6	R	0.13 / 0.17	Sn	A = 2.5	F = 1.5	H = 2	0.1	0.13	0.85-1.25	967067-2	963142-2	blau / BLUE	
5-928999-5	T	928999-5	S			B = 3.7	G = 1.4	K = 1.9							
5-928999-1	S	928999-1	R			C = 5.4	D = 13.7	L = 1.1							
2141824-6	A			0.08-0.22	Au	A = 2.5	F = 1.5	H = 2	0.1	0.17	0.85-1.25	967067-2	963142-2	blau / BLUE	
2141824-5	A					B = 3.7	G = 1.4	K = 1.9							
2141824-1	A					C = 5.4	D = 13.7	L = 1.1							
1355717-5	C			0.08-0.22	Sn	A = 2.5	F = 1.5	H = 2	0.1	0.17	0.85-1.25	967067-2	963142-2	blau / BLUE	
1355717-1	C					B = 3.7	G = 1.4	K = 1.9							

Bestell-Nr. Ausfuehrung ORDER NO. DESIGN 2	Bestell-Nr. Ausfuehrung ORDER NO. DESIGN 3	Rev	Bestell-Nr. Ausfuehrung ORDER NO. DESIGN 1	Rev	VERSION	DGB Wire Size Range mm ²	Oberflaeche SURFACE	Laenge LENGTH mm	Drahtcrimp WIRE CRIMP mm	Iso-crimp INSU-CRIMP mm	Gewicht WEIGHT g	Verarbeitung Spez. APPLICATION SPEC.	DGB Wire Size Range mm ²	Isolations Ø INSULATION DIA. mm	fuer Kammer Ø3.45 FOR CAVITY DIA. 3.45 mm	Blindstopfen RUBBER PLUG	fuer Kammer Ø4 FOR CAVITY DIA. 4 mm	Blindstopfen RUBBER PLUG
					normale Anwendung USUAL APPLICATION													
zugehoerige Einzel-dichtung / SUITABLE SINGLE WIRE SEAL																		

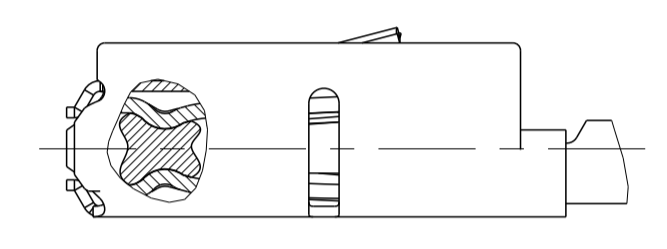
Einzel-dichtungssystem
 SINGLE WIRE SEAL SYSTEM



vergoldete Ausfuehrung
 GOLD VERSION

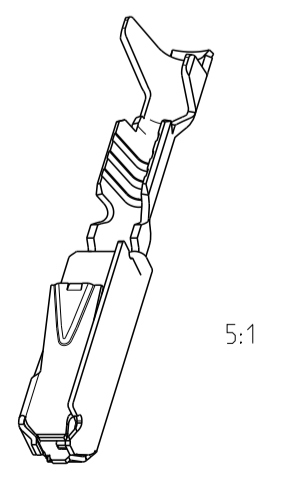
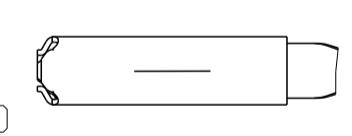


GEL VERSION



Bemerkungen

- Datumscode (Woche/Jahr z.B. KW 38/Jahr2009) und TE-Revision (z.B. Rev.A) DATE CODE (WEEK/YEAR E.G. WEEK NUMBER 38/YEAR2009) AND TE REVISION (E.G. REV. A)
- Passend zu Stiftkontakt siehe Zeichnung 929453 SUITABLE FOR PIN CONTACT SEE DRAWING 929453
- Einzelheiten der Ausfuehrung bleiben dem Hersteller ueberlassen DETAILS OF DESIGN ARE LEFT TO MANUFACTURER
- Nur fuer FLR-Leitung nach DIN 72551 Teil 6 FOR FLR-CONDUCTOR ACCORDING TO DIN 72551-6 ONLY
- Fuer Ag Varianten sind keine Laboruntersuchungen verfuegbar deshalb sind diese PN 's nicht in der Produktspez. aufgefuehrt. FOR Ag VARIANTS TESTS ARE NOT AVAILABLE. Ag PN'S ARE NOT IN PRODUCTSPEC.
- nicht fuer Neuanwendung NOT FOR NEW APPLICATION
- zugestaerkte Leitung nach LV 112-4 REINFORCED WIRE ACCORDING LV 112-4
- Bei doppelt fallenden Werkzeugen wird die erste Ueberfeder mit einer Kennzeichnung "-" versehen WITH DOUBLE OUT DIES THE FIRST SPRING WILL BE PROVIDED WITH AN INDICATION "-"



THIS DRAWING IS A CONTROLLED DOCUMENT.		OWN S.Garcia 05JAN1999	TE Connectivity	
DIMENSIONS: mm		CHK R.Jetter 05JAN1999	NAME MQS Tabellenzeichnung Buchsenkontakt TABLE SOCKET CONTACT	
TOLERANCES UNLESS OTHERWISE SPECIFIED: ±0.2		APP'D M.Bleicher 13AUG2003	SIZE 114-18021 / 114-18025	
MATERIAL		PRODUCT SPEC 108-18030	RESTRICTED TO	
FINISH		APPLICATION SPEC 114-18021 / 114-18025	WEIGHT	
		WEIGHT	SCALE 10:1 SHEET 1 OF 1	
		Customer Drawing	REP C 17	