



Chipsmall Limited consists of a professional team with an average of over 10 year of expertise in the distribution of electronic components. Based in Hongkong, we have already established firm and mutual-benefit business relationships with customers from,Europe,America and south Asia,supplying obsolete and hard-to-find components to meet their specific needs.

With the principle of “Quality Parts,Customers Priority,Honest Operation,and Considerate Service”,our business mainly focus on the distribution of electronic components. Line cards we deal with include Microchip,ALPS,ROHM,Xilinx,Pulse,ON,Everlight and Freescale. Main products comprise IC,Modules,Potentiometer,IC Socket,Relay,Connector.Our parts cover such applications as commercial,industrial, and automotives areas.

We are looking forward to setting up business relationship with you and hope to provide you with the best service and solution. Let us make a better world for our industry!



Contact us

Tel: +86-755-8981 8866 Fax: +86-755-8427 6832

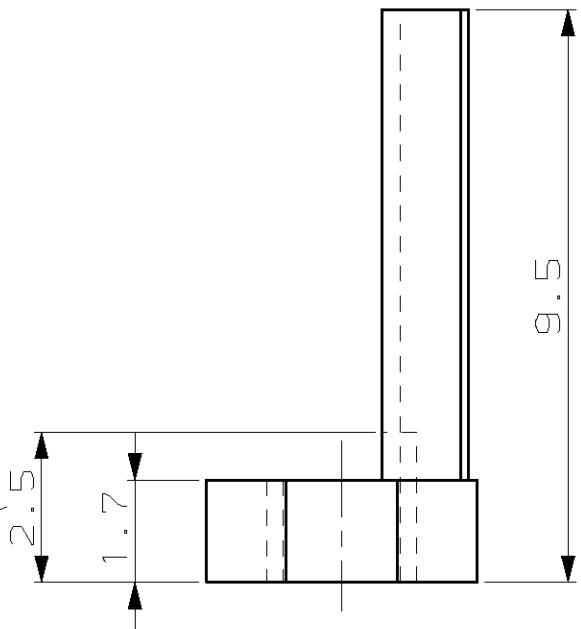
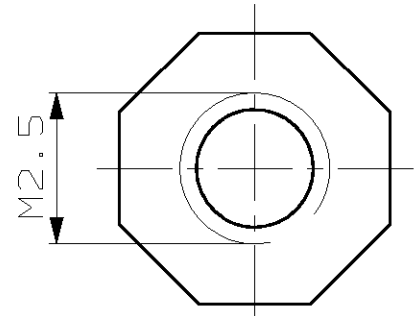
Email & Skype: info@chipsmall.com Web: www.chipsmall.com

Address: A1208, Overseas Decoration Building, #122 Zhenhua RD., Futian, Shenzhen, China

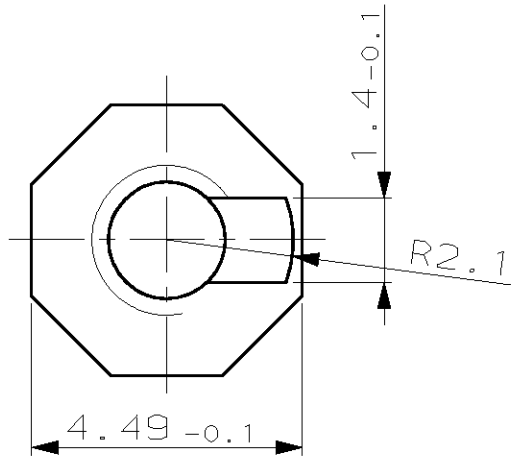


RELEASED FOR PUBLICATION , 1996.
 FREI FUER VEROEFFENTLICHUNG
 VERTRAUICHE UNVEROEFFENTLICHE ZEICHNUNG.
 BY AMP INCORPORATED. ALL RIGHTS RESERVED.
 COPYRIGHT 1996 ALLE RECHTE VORBEHALTEN.

MATED WITH: PASSEND ZU:	LOC AI	DIST -	REVISIONS AENDERUNGEN			DATE	DWN	APVD
-	AI	-	P	LTR	DESCRIPTION BESCHREIBUNG	07.06.2001	TILLE	KRAEMER
PROJEKT NR.: E96-52 584			B1	KODIERSTEG GEAENDERT				



NUTZBARE GEWINDELÄNGE



-	966 963-1	NICHTROSTENDER STAHL	BLANK	POSITION MARK POSITIONIERERKENNUNG	1
CUSTOMER PART NO	AMP PART NO	MATERIAL	SURFACE COLOR	DESCRIPTION	

DIMENSIONS: DIMENSIONEN: mm TOLERANCES UNLESS OTHERWISE SPECIFIED: ALLGEMEINTOLERANZEN n. ISO 8015 n. ISO 2768 - mH - E n. DIN 16901 - 140 0 PLC ±0.1 1 PLC ±0.1 2 PLC ±0.1 3 PLC ± ANGLES/WINKEL ±-	DWN W. TILLE	17-JUN-96	MATERIAL	-	FINISH OBERFLAECHE/FARBE	-	
	CHK R. KRÄMER	17-JUN-96	AMP tyco Electronics AMP GmbH D - 64625 Bensheim				
	APVD G. FELDMEIER	17-JUN-96					
	PRODUCT SPEC PRODUKTSPEZ.	-		NAME	POSITION MARK POSITIONIERERKENNUNG		
APPLICATION SPEC VERARBEITUNGSSPEZ.	-		SIZE	CAGE CODE	DRAWING NO ZEICHNUNGS-NR.	RESTRICTED TO NUR FUER	
WEIGHT GEWICHT	-		A4	00779	C-966963	-	
CUSTOMER DRAWING			/KUNDENZEICHNUNG		MASSSTAB 8:1	BLATT 1 OF 1	REV B1

