



Chipsmall Limited consists of a professional team with an average of over 10 year of expertise in the distribution of electronic components. Based in Hongkong, we have already established firm and mutual-benefit business relationships with customers from,Europe,America and south Asia,supplying obsolete and hard-to-find components to meet their specific needs.

With the principle of “Quality Parts,Customers Priority,Honest Operation,and Considerate Service”,our business mainly focus on the distribution of electronic components. Line cards we deal with include Microchip,ALPS,ROHM,Xilinx,Pulse,ON,Everlight and Freescale. Main products comprise IC,Modules,Potentiometer,IC Socket,Relay,Connector.Our parts cover such applications as commercial,industrial, and automotives areas.

We are looking forward to setting up business relationship with you and hope to provide you with the best service and solution. Let us make a better world for our industry!



## Contact us

Tel: +86-755-8981 8866 Fax: +86-755-8427 6832

Email & Skype: info@chipsmall.com Web: www.chipsmall.com

Address: A1208, Overseas Decoration Building, #122 Zhenhua RD., Futian, Shenzhen, China



4

3

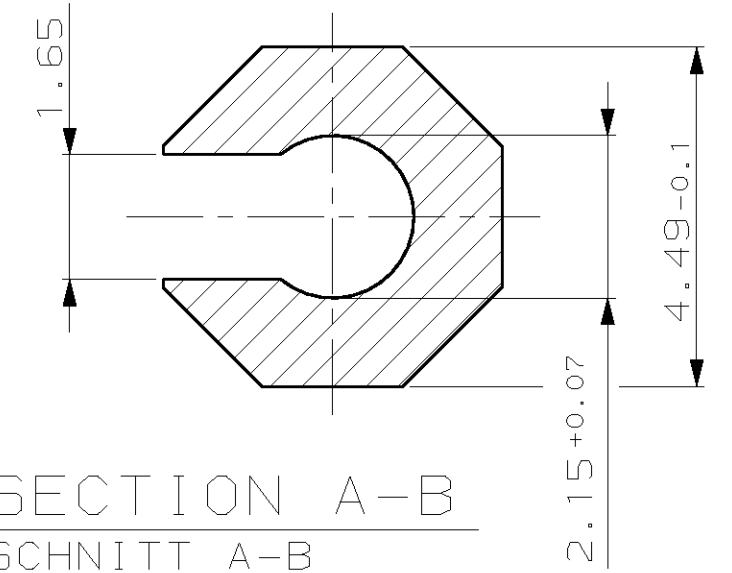
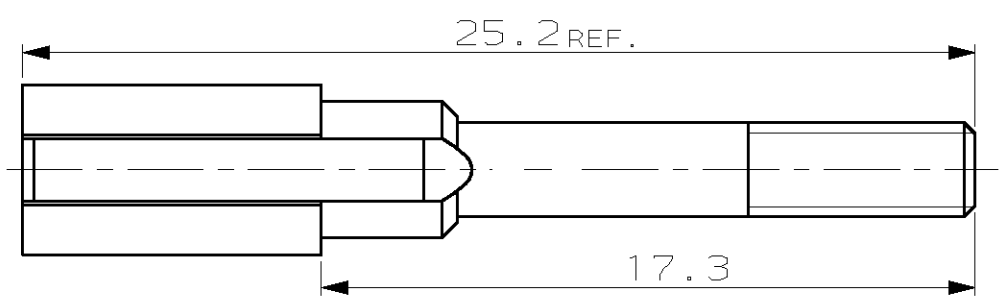
2

1

THIS DRAWING IS UNPUBLISHED. RELEASED FOR PUBLICATION - ,19- .  
 © COPYRIGHT 1996 BY AMP INCORPORATED. ALL RIGHTS RESERVED.

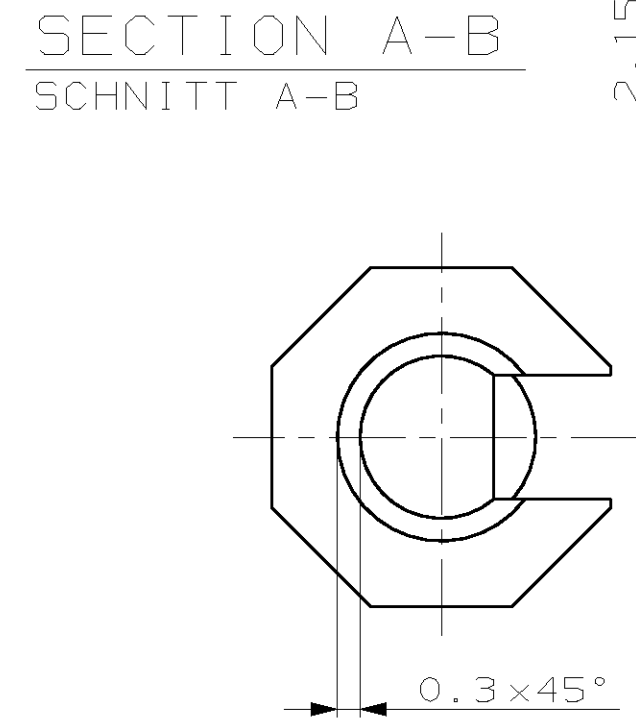
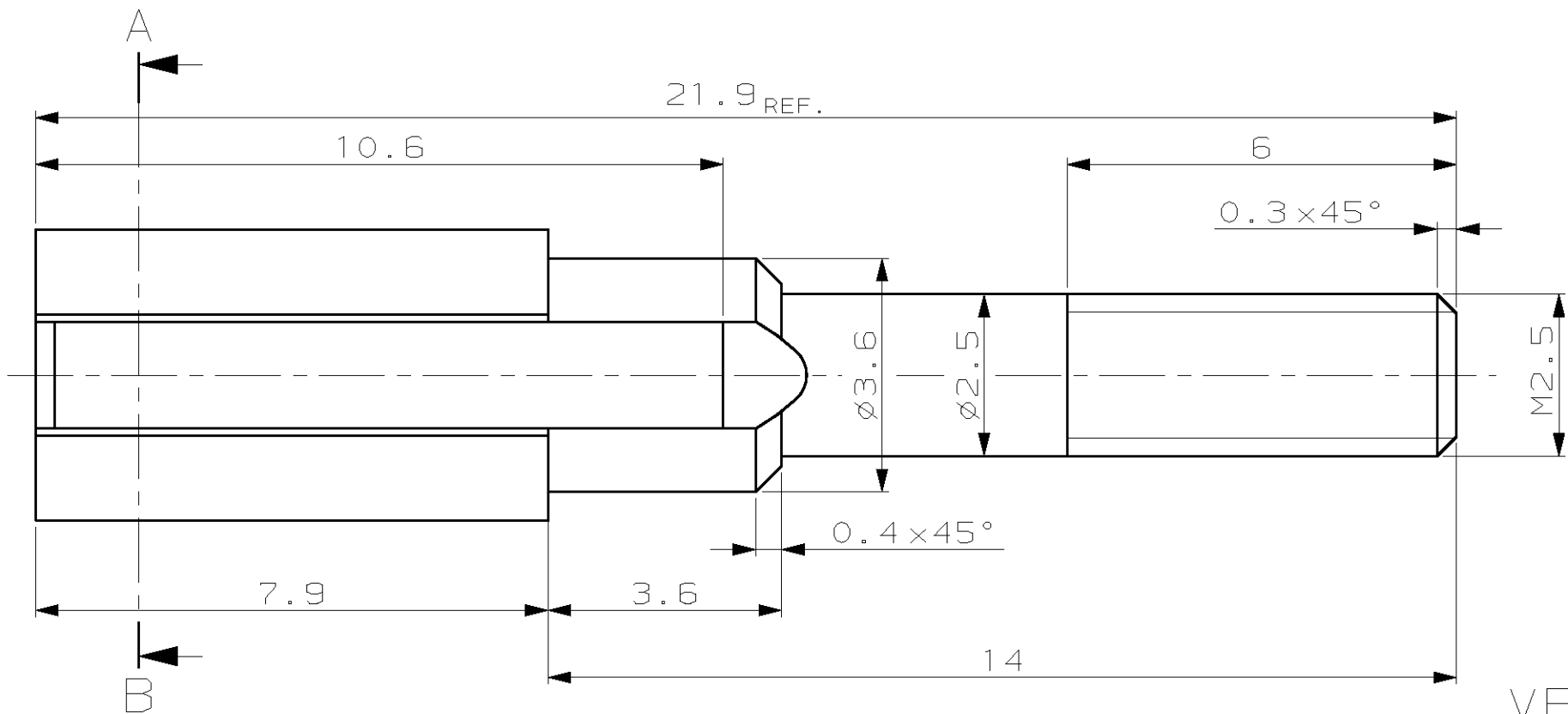
LOC		D1ST		REVISIONS			
P	LTR	DESCRIPTION		DATE	DWN	APVD	
AI	-	0		ZEICHNUNG FREIGEgeben	17.06.1996	TILLE	-
		A1		AUSFÜHRUNG -2 HINZU	18.03.1997	TILLE	-

NOT SPECIFIED DIMENSIONS SEE -1  
 FEHLENDE MASSE SIEHE AUSFÜHRUNG -1



VERSION: 966 965-2  
 AUSFÜHRUNG: 966 965-2

M5:1



VERSION: 966 965-1  
 AUSFÜHRUNG: 966 965-1

ALCATEL ORDER NO. BESTELL-NR.	AMP ORDER NO. BESTELL-NR.	POS.	QTY STÜCK	DESCRIPTION BENENNUNG EINZELTEIL	MATERIAL WERKSTOFF	FINISH OBERFLÄCHE
1AB 01293 0002	966 965-2	1	1	CODING SCREW KODIERSCHRAUBE	STAINLESS STEEL	PLAIN
1AB 01293 0001	966 965-1	1	1	CODING SCREW KODIERSCHRAUBE	NICHTROSTENDER STAHL	BLANK

THIS DRAWING IS A CONTROLLED DOCUMENT FOR AMP INCORPORATED. IT IS SUBJECT TO CHANGE AND THE CONTROLLING ENGINEERING ORGANIZATION SHOULD BE CONTACTED FOR THE LATEST REVISION.

DIMENSIONS: mm

TOLERANCES UNLESS OTHERWISE SPECIFIED:  
 n. ISO 2768-mH -E  
 p. DIN 16901 - 14Q

0 PLC	±0.1
1 PLC	±0.1
2 PLC	±-
3 PLC	±-

ANGLES ±-  
 FINISH

DWN	17-JUN-96
W. TILLE	
CHK	17-JUN-96
R. KRÄMER	
APVD	17-JUN-96
G. FELDMEIER	
PRODUCT SPEC	
APPLICATION SPEC	
WEIGHT	
CUSTOMER DRAWING	

**AMP** AMP Deutschland GmbH  
 D - 63225 Langen

NAME: CODING SCREW KODIERSCHRAUBE

SIZE	CAGE CODE	DRAWING NO	RESTRICTED TO
A3	00779	C-966965	-

SCALE 10:1 (5:1) SHEET 1 OF 1 REV A1