



Chipsmall Limited consists of a professional team with an average of over 10 year of expertise in the distribution of electronic components. Based in Hongkong, we have already established firm and mutual-benefit business relationships with customers from,Europe,America and south Asia,supplying obsolete and hard-to-find components to meet their specific needs.

With the principle of “Quality Parts,Customers Priority,Honest Operation,and Considerate Service”,our business mainly focus on the distribution of electronic components. Line cards we deal with include Microchip,ALPS,ROHM,Xilinx,Pulse,ON,Everlight and Freescale. Main products comprise IC,Modules,Potentiometer,IC Socket,Relay,Connector.Our parts cover such applications as commercial,industrial, and automotives areas.

We are looking forward to setting up business relationship with you and hope to provide you with the best service and solution. Let us make a better world for our industry!



Contact us

Tel: +86-755-8981 8866 Fax: +86-755-8427 6832

Email & Skype: info@chipsmall.com Web: www.chipsmall.com

Address: A1208, Overseas Decoration Building, #122 Zhenhua RD., Futian, Shenzhen, China





BOPLA

A Phoenix Mecano Company

Bocube





Bocube

Unique, innovative, versatile enclosure made of ABS or polycarbonate UL 94 V0

- 11 sizes, 66 standard combinations possible
- 2 material types: ABS or PC UL 94 V0, flame-resistant and self-extinguishing
- Captive lid with membrane keypad area, available in 2 variants: grey or crystal-clear
- Patented, innovative, hinged quick-release catch technology: open with a screwdriver, close by hand
- Elegant design, hinged quick-release catches available in different colours
- Mounting space for rectangular front panels and rectangular, grooved PCBs
- Excellent recyclability because of mono-material plastics without injection-moulded metal parts
- Selection of the hinged side by means of blanking plugs (available as accessory)
- Comprehensive range of accessories
- Terminals and mounting on request



Colour	Graphite grey, similar to RAL 7024; light grey, similar to RAL 7035; special colours on request
Protection class	IP 66/IP 67 DIN EN 60529
Enclosure material	ABS or PC UL 94 V0, foamed seal; for details, please see Technical Information in our main catalogue, "the red book"





Welcome to BOPLA City!



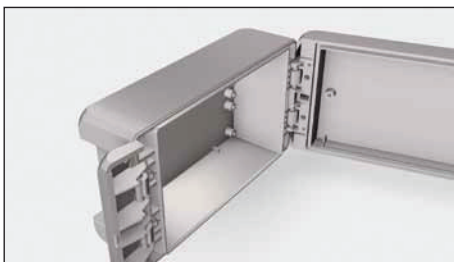
In the lid the enclosures have an area recessed by 2 mm for the mounting of membrane keypads (exception: B 080805, 0.5 mm).



By using the hinged quick-release catch, the enclosures can easily be closed by hand – use a standard screwdriver to open (size 3).



Instead of the hinged quick-release catch, the enclosures can be screwed – suitable screws are available as accessories and are concealed by the hinged catch.



The hinged quick-release catch ensures that the lid cannot be lost.



With the hinged quick-release catch, the lid can be opened to the left or right, as required. This simplifies mounting, and allows access to the electronics even during later use.



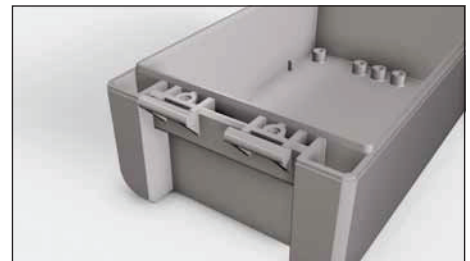
The blanking plugs allow the hinged side to be selected as required.



The Bocube with a PC UL 94 V0 crystal-clear lid is ideal for use as a display enclosure because it provides a permanent view of the front panel.



Rectangular front panels can be mounted in the base by using distance bolts.



Bocube is a mono-material plastic enclosure, so it is especially suitable for recycling.



There are very few parts, so this series of enclosures is very easy to assemble.



Bocube has a rectangular mounting space for grooved PCBs and rectangular mounting panels. These can be mounted in the lid and the base.



Large areas guarantee enough space for the mounting of cable glands, D-sub-connectors, etc.



A lead seal can be fitted and protects against unauthorised access. We can supply lead seals on request.



Coloured catches can be matched to the customer's designs.



The wall brackets can be used for all Bocube sizes. They are screwed to the drill holes in the base of enclosure and are available in both enclosure colours.

Application example of our comprehensive range of services for Bocube.



Mechanical processing:

Milling, drilling, countersinking, thread cutting, punching, ultrasonic welding of individual mounting points

Mounting work:

Mounting of cable glands, battery compartments
Mounting of threaded bushings, bolts and conductive seals

Gluing work:

Insertion using supplied components, wiring

Soldering and assembly work

This is only a small selection of our comprehensive range of services, with which we manufacture individual products of excellent quality.

You will find more information in the introduction to our „the red book“ catalogue.



Bocube

Bocube enclosures, polycarbonate UL 94 V0

Model	Order no.	A	B	C	a1	a2	b1	b2	c1	Colour
B 080805 PC-V0 7024	96011114	89	80	47	50	52,6	68	73,6	40,5	Graphite grey
B 080805 PC-V0 7035	96011115	89	80	47	50	52,6	68	73,6	40,5	Light grey
B 080805 PC-V0-G 7024	96021114	89	80	47	50	52,6	68	73,6	40,5	Graphite grey, crystal-clear lid
B 080805 PC-V0-G 7035	96021115	89	80	47	50	52,6	68	73,6	40,5	Light grey, crystal-clear lid
B 100806 PC-V0 7024	96012124	113	80	60	74	76,4	68	73,4	52	Graphite grey
B 100806 PC-V0 7035	96012125	113	80	60	74	76,4	68	73,4	52	Light grey
B 100806 PC-V0-G 7024	96022124	113	80	60	74	76,4	68	73,4	52	Graphite grey, crystal-clear lid
B 100806 PC-V0-G 7035	96022125	113	80	60	74	76,4	68	73,4	52	Light grey, crystal-clear lid
B 100809 PC-V0 7024	96012134	113	80	90	74	75,9	68	72,9	82	Graphite grey
B 100809 PC-V0 7035	96012135	113	80	90	74	75,9	68	72,9	82	Light grey
B 100809 PC-V0-G 7024	96022134	113	80	90	74	75,9	68	72,9	82	Graphite grey, crystal-clear lid
B 100809 PC-V0-G 7035	96022135	113	80	90	74	75,9	68	72,9	82	Light grey, crystal-clear lid
B 140806 PC-V0 7024	96013124	151	80	60	112	114,4	68	73,4	52	Graphite grey
B 140806 PC-V0 7035	96013125	151	80	60	112	114,4	68	73,4	52	Light grey
B 140806 PC-V0-G 7024	96023124	151	80	60	112	114,4	68	73,4	52	Graphite grey, crystal-clear lid
B 140806 PC-V0-G 7035	96023125	151	80	60	112	114,4	68	73,4	52	Light grey, crystal-clear lid
B 140809 PC-V0 7024	96013134	151	80	90	112	113,9	68	72,9	82	Graphite grey
B 140809 PC-V0 7035	96013135	151	80	90	112	113,9	68	72,9	82	Light grey
B 140809 PC-V0-G 7024	96023134	151	80	90	112	113,9	68	72,9	82	Graphite grey, crystal-clear lid
B 140809 PC-V0-G 7035	96023135	151	80	90	112	113,9	68	72,9	82	Light grey, crystal-clear lid
B 141306 PC-V0 7024	96013224	151	125	60	112	114,4	113	118,4	52	Graphite grey
B 141306 PC-V0 7035	96013225	151	125	60	112	114,4	113	118,4	52	Light grey
B 141306 PC-V0-G 7024	96023224	151	125	60	112	114,4	113	118,4	52	Graphite grey, crystal-clear lid
B 141306 PC-V0-G 7035	96023225	151	125	60	112	114,4	113	118,4	52	Light grey, crystal-clear lid
B 141309 PC-V0 7024	96013234	151	125	90	112	113,9	113	117,9	82	Graphite grey
B 141309 PC-V0 7035	96013235	151	125	90	112	113,9	113	117,9	82	Light grey
B 141309 PC-V0-G 7024	96023234	151	125	90	112	113,9	113	117,9	82	Graphite grey, crystal-clear lid
B 141309 PC-V0-G 7035	96023235	151	125	90	112	113,9	113	117,9	82	Light grey, crystal-clear lid
B 221306 PC-V0 7024	96015224	231	125	60	192	194,4	113	118,4	52	Graphite grey
B 221306 PC-V0 7035	96015225	231	125	60	192	194,4	113	118,4	52	Light grey

Bocube



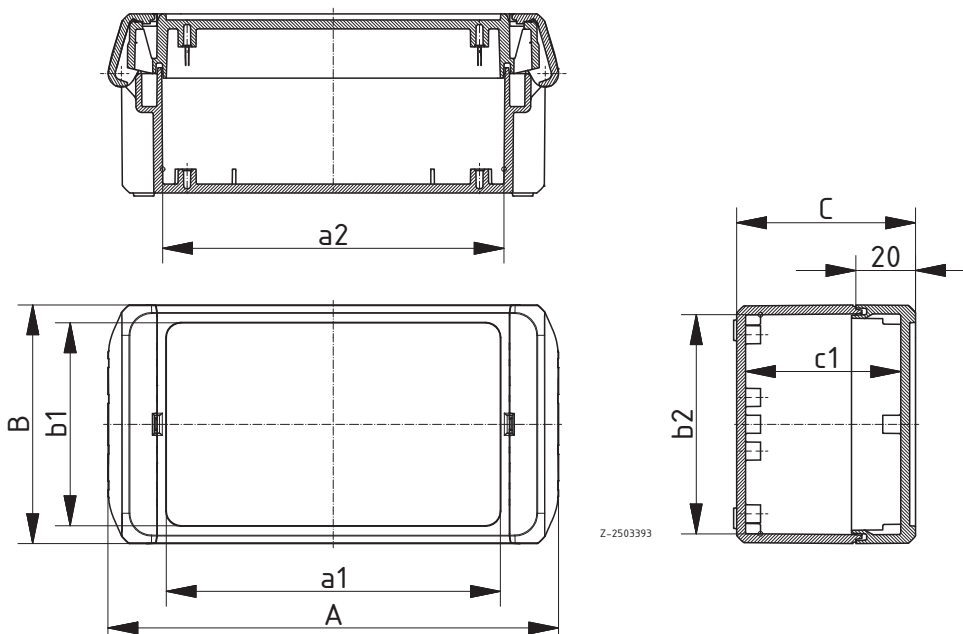
Bocube enclosures, polycarbonate UL 94 V0

Model	Order no.	A	B	C	a1	a2	b1	b2	c1	Colour
B 221306 PC-V0-G 7024	96025224	231	125	60	192	194,4	113	118,4	52	Graphite grey, crystal-clear lid
B 221306 PC-V0-G 7035	96025225	231	125	60	192	194,4	113	118,4	52	Light grey, crystal-clear lid
B 221309 PC-V0 7024	96015234	231	125	90	192	194,1	113	117,9	82	Graphite grey
B 221309 PC-V0 7035	96015235	231	125	90	192	194,1	113	117,9	82	Light grey
B 221309 PC-V0-G 7024	96025234	231	125	90	192	194,1	113	117,9	82	Graphite grey, crystal-clear lid
B 221309 PC-V0-G 7035	96025235	231	125	90	192	194,1	113	117,9	82	Light grey, crystal-clear lid
B 261706 PC-V0 7024	96016324	271	170	60	232	234,4	158	163,4	51,5	Graphite grey
B 261706 PC-V0 7035	96016325	271	170	60	232	234,4	158	163,4	51,5	Light grey
B 261706 PC-V0-G 7024	96026324	271	170	60	232	234,4	158	163,4	51,5	Graphite grey, crystal-clear lid
B 261706 PC-V0-G 7035	96026325	271	170	60	232	234,4	158	163,4	51,5	Light grey, crystal-clear lid
B 261709 PC-V0 7024	96016334	271	170	90	232	234,1	158	163,1	81,5	Graphite grey
B 261709 PC-V0 7035	96016335	271	170	90	232	234,1	158	163,1	81,5	Light grey
B 261709 PC-V0-G 7024	96026334	271	170	90	232	234,1	158	163,1	81,5	Graphite grey, crystal-clear lid
B 261709 PC-V0-G 7035	96026335	271	170	90	232	234,1	158	163,1	81,5	Light grey, crystal-clear lid

Scope of delivery: Lid and base, hinged quick-release catches

Note: G = Model with crystal clear lid.

For accessories, see following pages.





Bocube

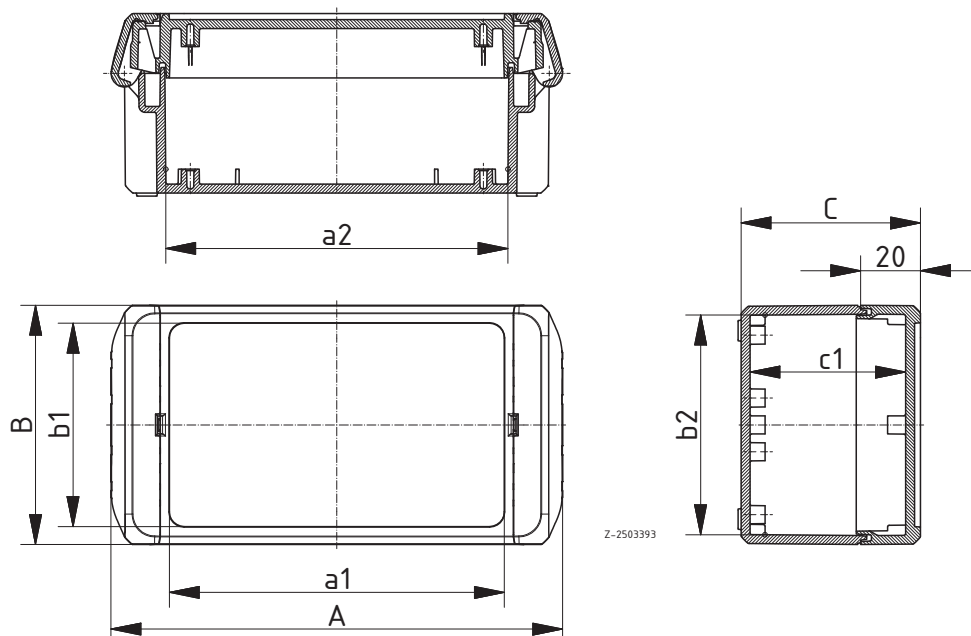
Bocube enclosures, ABS

Model	Order no.	A	B	C	a1	a2	b1	b2	c1	Colour
B 080805 ABS 7024	96031114	89	80	47	50	52,6	68	73,6	40,5	Graphite grey
B 080805 ABS 7035	96031115	89	80	47	50	52,6	68	73,6	40,5	Light grey
B 100806 ABS 7024	96032124	113	80	60	74	76,4	68	73,4	52	Graphite grey
B 100806 ABS 7035	96032125	113	80	60	74	76,4	68	73,4	52	Light grey
B 100809 ABS 7024	96032134	113	80	90	74	75,9	68	72,9	82	Graphite grey
B 100809 ABS 7035	96032135	113	80	90	74	75,9	68	72,9	82	Light grey
B 140806 ABS 7024	96033124	151	80	60	112	114,4	68	73,4	52	Graphite grey
B 140806 ABS 7035	96033125	151	80	60	112	114,4	68	73,4	52	Light grey
B 140809 ABS 7024	96033134	151	80	90	112	113,9	68	72,9	82	Graphite grey
B 140809 ABS 7035	96033135	151	80	90	112	113,9	68	72,9	82	Light grey
B 141306 ABS 7024	96033224	151	125	60	112	114,4	113	118,4	52	Graphite grey
B 141306 ABS 7035	96033225	151	125	60	112	114,4	113	118,4	52	Light grey
B 141309 ABS 7024	96033234	151	125	90	112	113,9	113	117,9	82	Graphite grey
B 141309 ABS 7035	96033235	151	125	90	112	113,9	113	117,9	82	Light grey
B 221306 ABS 7024	96035224	231	125	60	192	194,4	113	118,4	52	Graphite grey
B 221306 ABS 7035	96035225	231	125	60	192	194,4	113	118,4	52	Light grey
B 221309 ABS 7024	96035234	231	125	90	192	194,1	113	117,9	82	Graphite grey
B 221309 ABS 7035	96035235	231	125	90	192	194,1	113	117,9	82	Light grey
B 261706 ABS 7024	96036324	271	170	60	232	234,4	158	163,4	51,5	Graphite grey
B 261706 ABS 7035	96036325	271	170	60	232	234,4	158	163,4	51,5	Light grey
B 261709 ABS 7024	96036334	271	170	90	232	234,1	158	163,1	81,5	Graphite grey
B 261709 ABS 7035	96036335	271	170	90	232	234,1	158	163,1	81,5	Light grey

Scope of delivery: Lid and base, hinged quick-release catches

Note: Material shrinkage may result in ABS enclosures being approx. 0.1 – 0.25 % larger.

For accessories, see following pages.



Bocube

NEW!



Flat design available!

Bocube enclosures, polycarbonate UL 94 V0

Model	Order no.	A	B	C	a1	a2	b1	b2	c1	Colour
B 140804 PC-V0 7035	96013145	151	80	40	112	68	114,8	73,8	32	Light grey
B 140804 PC-V0 7024	96013144	151	80	40	112	68	114,8	73,8	32	Graphite grey
B 140804 PC-V0-G 7035	96023145	151	80	40	112	68	114,8	73,8	32	Light grey, crystal-clear lid
B 140804 PC-V0-G 7024	96023144	151	80	40	112	68	114,8	73,8	32	Graphite grey, crystal-clear lid
B 180806 PC-V0 7035	96014125	191	80	60	152	68	154,4	73,4	52	Light grey
B 180806 PC-V0 7024	96014124	191	80	60	152	68	154,4	73,4	52	Graphite grey
B 180806 PC-V0-G 7035	96024125	191	80	60	152	68	154,4	73,4	52	Light grey, crystal-clear lid
B 180806 PC-V0-G 7024	96024124	191	80	60	152	68	154,4	73,4	52	Graphite grey, crystal-clear lid
B 181304 PC-V0 7035	96014245	191	125	40	152	113	154,6	118,8	32	Light grey
B 181304 PC-V0 7024	96014244	191	125	40	152	113	154,6	118,8	32	Graphite grey
B 181304 PC-V0-G 7035	96024245	191	125	40	152	113	154,6	118,8	32	Light grey, crystal-clear lid
B 181304 PC-V0-G 7024	96024244	191	125	40	152	113	154,6	118,8	32	Graphite grey, crystal-clear lid
B 181306 PC-V0 7035	96014225	191	125	60	152	113	154,4	118,4	52	Light grey
B 181306 PC-V0 7024	96014224	191	125	60	152	113	154,4	118,4	52	Graphite grey
B 181306 PC-V0-G 7035	96024225	191	125	60	152	113	154,4	118,4	52	Light grey, crystal-clear lid
B 181306 PC-V0-G 7024	96024224	191	125	60	152	113	154,4	118,4	52	Graphite grey, crystal-clear lid
B 181309 PC-V0 7035	96014235	191	125	90	152	113	154,1	117,9	82	Light grey
B 181309 PC-V0 7024	96014234	191	125	90	152	113	154,1	117,9	82	Graphite grey
B 181309 PC-V0-G 7035	96024235	191	125	90	152	113	154,1	117,9	82	Light grey, crystal-clear lid
B 181309 PC-V0-G 7024	96024234	191	125	90	152	113	154,1	117,9	82	Graphite grey, crystal-clear lid
B 221304 PC-V0 7035	96015245	231	125	40	192	113	194,6	118,8	32	Light grey
B 221304 PC-V0 7024	96015244	231	125	40	192	113	194,6	118,8	32	Graphite grey
B 221304 PC-V0-G 7035	96025245	231	125	40	192	113	194,6	118,8	32	Light grey, crystal-clear lid
B 221304 PC-V0-G 7024	96025244	231	125	40	192	113	194,6	118,8	32	Graphite grey, crystal-clear lid
B 261704 PC-V0 7035	96016345	271	170	40	232	158	234,8	163,8	31,5	Light grey
B 261704 PC-V0 7024	96016344	271	170	40	232	158	234,8	163,8	31,5	Graphite grey
B 261704 PC-V0-G 7035	96026345	271	170	40	232	158	234,8	163,8	31,5	Light grey, crystal-clear lid
B 261704 PC-V0-G 7024	96026344	271	170	40	232	158	234,8	163,8	31,5	Graphite grey, crystal-clear lid
B 273612 PC-V0 7035	96017665	284	364	120	231	352	233,1	353,5	109	Light grey
B 273612 PC-V0 7024	96017664	284	364	120	231	352	233,1	353,5	109	Graphite grey
B 273612 PC-V0-G 7035	96027665	284	364	120	231	352	233,1	353,5	109	Light grey, crystal-clear lid
B 273612 PC-V0-G 7024	96027664	284	364	120	231	352	233,1	353,5	109	Graphite grey, crystal-clear lid

Scope of delivery: Lid and base, hinged quick-release catches

Note: G = Model with crystal clear lid.
For accessories, see following pages.



Welcome to BOPLA City!

Bocube **NEW!**



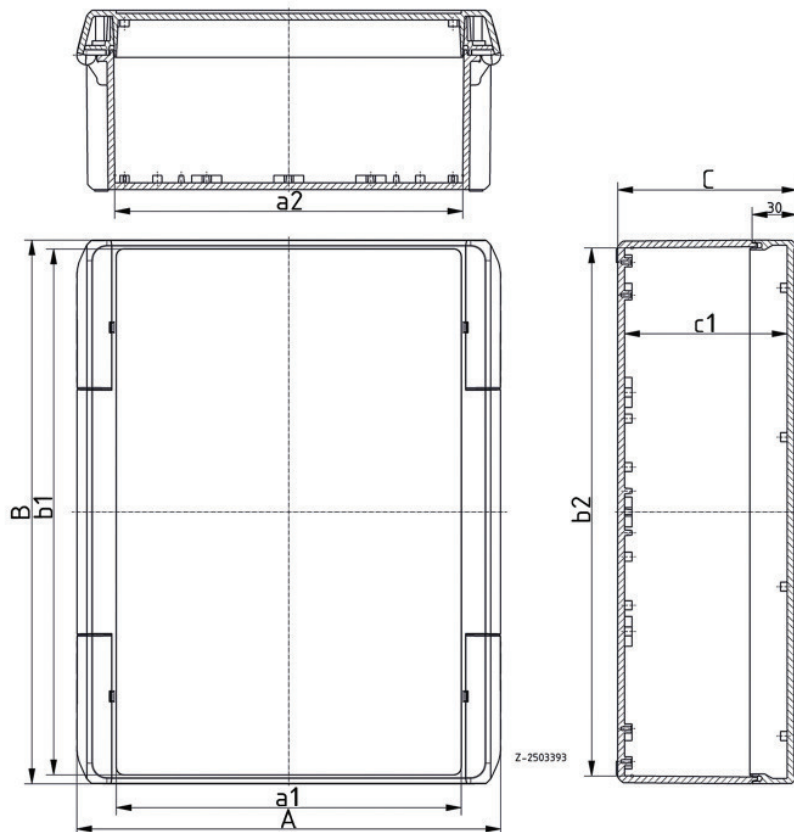
Flat design available!

Bocube enclosures, ABS

Model	Order no.	A	B	C	a1	a2	b1	b2	c1	Colour
B 140804 ABS 7035	96033145	151	80	40	112	68	114,8	73,8	32	Light grey
B 140804 ABS 7024	96033144	151	80	40	112	68	114,8	73,8	32	Graphite grey
B 180806 ABS 7035	96034125	191	80	60	152	68	154,4	73,4	52	Light grey
B 180806 ABS 7024	96034124	191	80	60	152	68	154,4	73,4	52	Graphite grey
B 181304 ABS 7035	96034245	191	125	40	152	113	154,6	118,8	32	Light grey
B 181304 ABS 7024	96034244	191	125	40	152	113	154,6	118,8	32	Graphite grey
B 181306 ABS 7035	96034225	191	125	60	152	113	154,4	118,4	52	Light grey
B 181306 ABS 7024	96034224	191	125	60	152	113	154,4	118,4	52	Graphite grey
B 181309 ABS 7035	96034235	191	125	90	152	113	154,1	117,9	82	Light grey
B 181309 ABS 7024	96034234	191	125	90	152	113	154,1	117,9	82	Graphite grey
B 221304 ABS 7035	96035245	231	125	40	192	113	194,6	118,8	32	Light grey
B 221304 ABS 7024	96035244	231	125	40	192	113	194,6	118,8	32	Graphite grey
B 261704 ABS 7035	96036345	271	170	40	232	158	234,8	163,8	31,5	Light grey
B 261704 ABS 7024	96036344	271	170	40	232	158	234,8	163,8	31,5	Graphite grey
B 273612 ABS 7035	96037665	284	364	120	231	352	233,1	353,5	109	Light grey
B 273612 ABS 7024	96037664	284	364	120	231	352	233,1	353,5	109	Graphite grey

Scope of delivery: Lid and base, hinged quick-release catches

Note: Material shrinkage may result in ABS enclosures being approx. 0.1– 0.25% larger.
For accessories, see following pages.



Enclosure B 273126 is closed by 4 corner hinges.



Wall brackets are being prepared.

Bocube accessories

NEW!

Additional hinges for all sizes are shown on page 9 of our brochure.

Corner hinge set, polycarbonate UL 94 V0 or ABS

Model	Order no.	Colour	Note
B SC ABS 7035	96330005	Light grey	For B 273612
B SC ABS 7024	96330004	Graphite grey	For B 273612
B SC ABS 3000	96330000	Flame red	For B 273612
B SC ABS 5002	96330002	Ultramarine blue	For B 273612
B SC ABS 1023	96330003	Traffic yellow	For B 273612
B SC ABS 6029	96330009	Mint green	For B 273612
B SC PC-V0 7035	96310005	Light grey	For B 273612
B SC PC-V0 7024	96310004	Graphite grey	For B 273612
B SC PC-V0 3000	96310000	Flame red	For B 273612
B SC PC-V0 5002	96310002	Ultramarine blue	For B 273612
B SC PC-V0 1023	96310003	Traffic yellow	For B 273612
B SC PC-V0 6029	96310009	Mint green	For B 273612

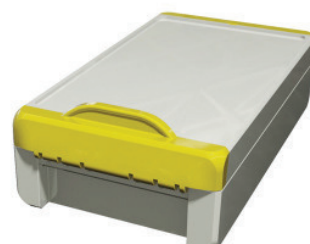
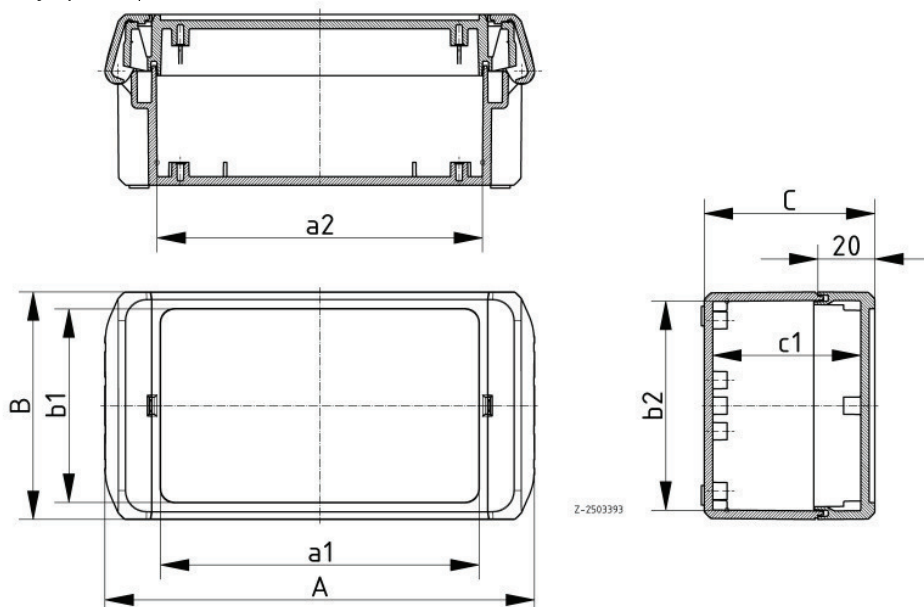
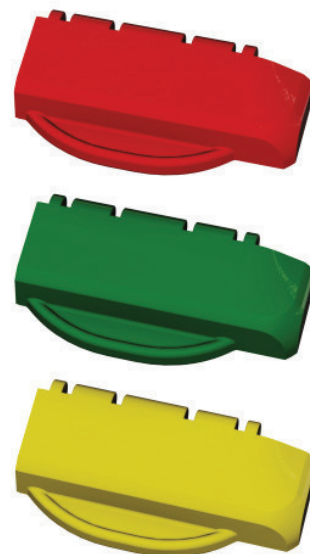
Scope of delivery: PU = 4 pcs. (2 right and left, tool-operated)



Corner hinge set, manually-operated, polycarbonate UL 94 V0 or ABS

Model	Order no.	Colour	Note
B SC HB ABS 7035	96930005	Light grey	For B 273612
B SC HB ABS 7024	96930004	Graphite grey	For B 273612
B SC HB ABS 3000	96930000	Flame red	For B 273612
B SC HB ABS 5002	96930002	Ultramarine blue	For B 273612
B SC HB ABS 1023	96930003	Traffic yellow	For B 273612
B SC HB ABS 6029	96930009	Mint green	For B 273612
B SC HB PC-V0 7035	96910005	Light grey	For B 273612
B SC HB PC-V0 7024	96910004	Graphite grey	For B 273612
B SC HB PC-V0 3000	96910000	Flame red	For B 273612
B SC HB PC-V0 5002	96910002	Ultramarine blue	For B 273612
B SC HB PC-V0 1023	96910003	Traffic yellow	For B 273612
B SC HB PC-V0 6029	96910009	Mint green	For B 273612

Scope of delivery: PU = 4 pcs. (1 right and left, tool-operated, 1 right and left manually-operated)



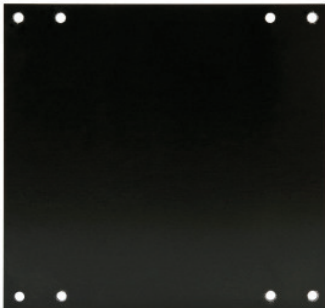
Manually-operated hinges for all other sizes are being prepared.



Bocube accessories

NEW!

Additional accessories for all sizes are shown on pages 10 and 11 of our brochure.

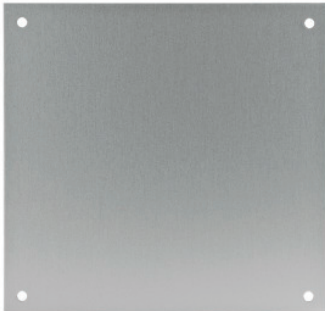


Mounting panels, laminated paper, 2mm

Modell	Order no.	Note
B M 1808	96604100	For B 180806
B M 1813	96604200	For B 18130.
B M 2736	96607600	For B 273612

Scope of delivery: 1 mounting panel

Note: Please order fixing screws order no. 96600010 (for B 18... and B 27...) separately.



Front panels, natural-coloured anodised aluminium

Model	Order no.	Note
B FP 1808	96704100	For B 180806
B FP 1813	96704200	For B 18130.
B FP 2736	96707600	For B 273612

Scope of delivery: 1 mounting panel

Note: Please order fixing screws order no. 96700000 and distance bolts separately.



Sets of screws

Model	Order no.	Note
B SHR-2	96300002	for optional screwing of enclosures

Scope of delivery: PU = 4 pcs.



Distance bolts

Model	Order no.	Note
DIBLZ AK 30x5/IM3/8	96708000	ND = 2,4-2,6, for B.....4
DIBLZ AK 30x7/IM3/74	96774000	ND = 2,4-2,6, for B.....12 if a mounting plate is used
DIBLZ AK 30x5/IM3/76	96776000	ND = 2,4-2,6, for B.....12

Scope of delivery: PU = 4 pcs.

Note: ND = boss internal diameter

Bocube accessories

Hinged quick-release catches, polycarbonate UL 94 V0 or ABS

Model	Order no.	Colour	Note
B SC 08 PC-V0 1023	96310103	Traffic yellow	For B 080805, 10080., 14080.
B SC 08 ABS 1023	96330103	Traffic yellow	For B 080805, 10080., 14080.
B SC 08 PC-V0 7035	96310105	Light grey	For B 080805, 10080., 14080.
B SC 08 ABS 7035	96330105	Light grey	For B 080805, 10080., 14080.
B SC 08 PC-V0 7024	96310104	Graphite grey	For B 080805, 10080., 14080.
B SC 08 ABS 7024	96330104	Graphite grey	For B 080805, 10080., 14080.
B SC 08 PC-V0 6029	96310109	Mint green	For B 080805, 10080., 14080.
B SC 08 ABS 6029	96330109	Mint green	For B 080805, 10080., 14080.
B SC 08 PC-V0 5002	96310102	Ultramarine blue	For B 080805, 10080., 14080.
B SC 08 ABS 5002	96330102	Ultramarine blue	For B 080805, 10080., 14080.
B SC 08 PC-V0 3000	96310100	Flame red	For B 080805, 10080., 14080.
B SC 08 ABS 3000	96330100	Flame red	For B 080805, 10080., 14080.
B SC 13 PC-V0 1023	96310203	Traffic yellow	For B 14130., 2213.
B SC 13 ABS 1023	96330203	Traffic yellow	For B 14130., 2213.
B SC 13 PC-V0 7035	96310205	Light grey	For B 14130., 2213.
B SC 13 ABS 7035	96330205	Light grey	For B 14130., 2213.
B SC 13 PC-V0 7024	96310204	Graphite grey	For B 14130., 2213.
B SC 13 ABS 7024	96330204	Graphite grey	For B 14130., 2213.
B SC 13 PC-V0 6029	96310209	Mint green	For B 14130., 2213.
B SC 13 ABS 6029	96330209	Mint green	For B 14130., 2213.
B SC 13 PC-V0 5002	96310202	Ultramarine blue	For B 14130., 2213.
B SC 13 ABS 5002	96330202	Ultramarine blue	For B 14130., 2213.
B SC 13 PC-V0 3000	96310200	Flame red	For B 14130., 2213.
B SC 13 ABS 3000	96330200	Flame red	For B 14130., 2213.
B SC 17 PC-V0 1023	96310303	Traffic yellow	For B 26170.
B SC 17 ABS 1023	96330303	Traffic yellow	For B 26170.
B SC 17 PC-V0 7035	96310305	Light grey	For B 26170.
B SC 17 ABS 7035	96330305	Light grey	For B 26170.
B SC 17 PC-V0 7024	96310304	Graphite grey	For B 26170.
B SC 17 ABS 7024	96330304	Graphite grey	For B 26170.
B SC 17 PC-V0 6029	96310309	Mint green	For B 26170.
B SC 17 ABS 6029	96330309	Mint green	For B 26170.
B SC 17 PC-V0 5002	96310302	Ultramarine blue	For B 26170.
B SC 17 ABS 5002	96330302	Ultramarine blue	For B 26170.
B SC 17 PC-V0 3000	96310300	Flame red	For B 26170.
B SC 17 ABS 3000	96330300	Flame red	For B 26170.

Scope of delivery: 1 set = 2 pieces



Wall brackets

Model	Order no.	Colour
B WL 7024	96510004	Graphite grey
B WL 7035	96510005	Light grey

Scope of delivery: 4 wall brackets (polycarbonate UL 94 V0), 4 screws



Bocube accessories

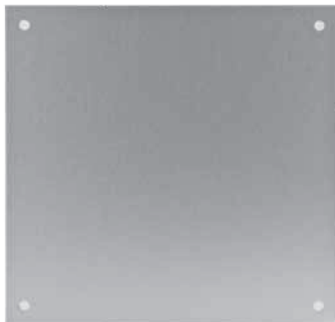


Mounting panels, laminated paper, 2 mm

Model	Order no.	Note
B M 0808	96601100	For B 080805
B M 1008	96602100	For B 10080.
B M 1408	96603100	For B 14080.
B M 1413	96603200	For B 14130.
B M 2213	96605200	For B 22130.
B M 2617	96606300	For B 26170.

Scope of delivery: 1 mounting panel

Note: Please order fixing screws order no. 96600000 (for B 08...) and order no. 96600010 (for B 10..., B 14..., B 22... and B 26...) separately.

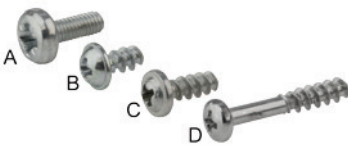


Front panels, natural-coloured anodised aluminium

Model	Order no.	Note
B FP 1008	96702100	For B 10080., front panel thickness 1.5 mm
B FP 1408	96703100	For B 14080., front panel thickness 1.5 mm
B FP 1413	96703200	For B 14130., front panel thickness 1.5 mm
B FP 2213	96705200	For B 22130., front panel thickness 2.0 mm
B FP 2617	96706300	For B 26170., front panel thickness 2.5 mm

Scope of delivery: 1 front panel

Note: Please order fixing screws order no. 96700000 and distance bolts separately.



Sets of screws

Model	Order no.	Note
B FP-SHR	96700000	A (for fixing front panels)
B M-SHR 0808	96600000	B (for fixing mounting panels B M 0808)
B M-SHR	96600010	C (for fixing mounting panels B M 1008-2617)
B SHR	96300000	D (for optional screwing of enclosures)

Scope of delivery: PU = 4 pcs. (exception: B M-SHR 0808, PU = 2 pcs)



Distance bolts

Model	Order no.	Note
DIBLZ AK 30x5/IM3/28	96728000	ND = 2.4-2.6, for B6
DIBLZ AK 30x7/IM3/26	96726000	ND = 2.4-2.6, for B6 if a mounting plate is used
DIBLZ AK 30x5/IM3/58	96758000	ND = 2.4-2.6, for B9
DIBLZ AK 30x7/IM3/56	96756000	ND = 2.4-2.6, for B9 if a mounting plate is used

Scope of delivery: PU = 4 pieces

Note: ND = boss internal diameter

Bocube accessories

Blanking plugs to determine the hinge side

Model	Order no.	Colour
B VS 7024	96410004	Graphite grey

Scope of delivery: Blanking plugs (PC UL 94 V0), PU = 10 pieces

Note: When fitted, the blanking plug is almost invisible.



DIN rails DIN EN 60715 TH 15

Model	Order no.	Note
TS 15	22150701	For B 10080.
TS 15	22151101	For B 14080. and B 14130.
TS 15	22151901	For B 22130.
TS 15	22152301	For B 26170.

Scope of delivery: 1 DIN rail



DIN rails DIN EN 60715 G 32

Model	Order no.	Note
TS 32	22320701	For B 10080.
TS 32	22321101	For B 14080. and B 14130.
TS 32	22321901	For B 22130.
TS 32	22322301	For B 26170.

Scope of delivery: 1 DIN rail



DIN rails DIN EN 60715 TH 35

Model	Order no.	Note
TS 35	22350701	For B 10080.
TS 35	22351101	For B 14080. and B 14130.
TS 35	22351901	For B 22130.
TS 35	22352301	For B 26170.

Scope of delivery: 1 DIN rail



Bopla Gehäuse Systeme GmbH | Borsigstraße 17-25 | D-32257 Bünde
Tel. +49 (0) 5223-969-0 | Fax +49 (0) 5223-969-100
info@bopla.de | www.bopla.de



A Phoenix Mecano Company

Mat. no. 88112203 2012/10

