



Chipsmall Limited consists of a professional team with an average of over 10 year of expertise in the distribution of electronic components. Based in Hongkong, we have already established firm and mutual-benefit business relationships with customers from,Europe,America and south Asia,supplying obsolete and hard-to-find components to meet their specific needs.

With the principle of “Quality Parts,Customers Priority,Honest Operation,and Considerate Service”,our business mainly focus on the distribution of electronic components. Line cards we deal with include Microchip,ALPS,ROHM,Xilinx,Pulse,ON,Everlight and Freescale. Main products comprise IC,Modules,Potentiometer,IC Socket,Relay,Connector.Our parts cover such applications as commercial,industrial, and automotives areas.

We are looking forward to setting up business relationship with you and hope to provide you with the best service and solution. Let us make a better world for our industry!



Contact us

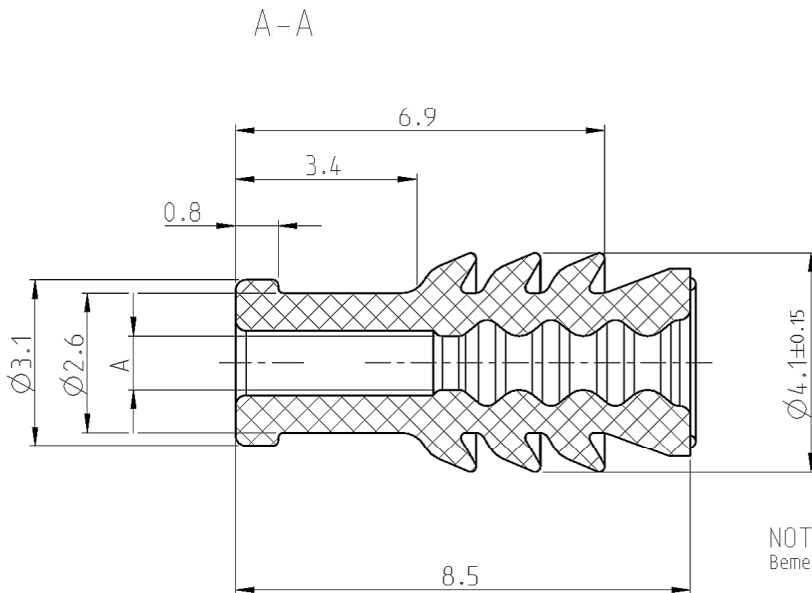
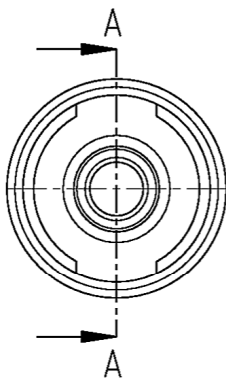
Tel: +86-755-8981 8866 Fax: +86-755-8427 6832

Email & Skype: info@chipsmall.com Web: www.chipsmall.com

Address: A1208, Overseas Decoration Building, #122 Zhenhua RD., Futian, Shenzhen, China



P	LTR	DESCRIPTION	DATE	DWN	APVD
A9		NEW DASH # 1-967067-1, TEMPERED	09JAN2012	Mah.	AbeLe
A10		NEW PRO E DRAWING	02FEB2012	Mah.	AbeLe



1:1



NOTES

Bemerkungen

1 SUITABLE FOR SOCKET CONTACT FOR SINGLE WIRE SEAL, SEE : 929454; 929419; 1241611
 Passend zu Buchsenkontakt fuer Einzeldichtung, siehe: 929454; 929419; 1241611

2 SUITABLE FOR PIN CONTACT FOR SINGLE WIRE SEAL SEE 929453
 Passend zu Stiftkontakt fuer Einzeldichtung siehe 929453

3 SILOXAN IS MINIMIZED THROUGH TEMPERING PROCESS
 SILOXAN minimiert durch Temperung

1.4 - 2.1	∅1.0±0.15	SINGLE WIRE Einzelleitung	1-967067-1	A	GREEN/gruen	-	0-967067-1	
0.9 - 1.4	∅0.6±0.15		0-967067-2	A	YELLOW/gelb	0.07	Silicone VMQ 50	-
1.4 - 2.1	∅1.0±0.15		0-967067-1	A	GREEN/gruen	0.06		-
ISO-DIA	DIM "A"	USED ON verwendet fuer	ORDER NO Bestell Nr.	REV.	COLOR Farbe	WEIGHT Gewicht	MATERIAL	HEAT TREAT

THIS DRAWING IS A CONTROLLED DOCUMENT.

DWN S. Garcia 29JUL1999

CHK R. Jetter 28JUL1999

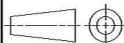
APVD -



TE Connectivity

DIMENSIONS:

mm



TOLERANCES UNLESS OTHERWISE SPECIFIED:

M3 DIN/715

0 PLC ±

1 PLC ±

2 PLC ±

3 PLC ±

4 PLC ±

ANGLES ±°

MATERIAL SEE TABLE

FINISH -

NAME
 Micro Quadlok System
 SINGLE WIRE SEAL FOR CAVITY DIA 3.45mm
 Einzelleiterdichtung fuer Kammerdurchmesser 3.45mm

SIZE CAGE CODE DRAWING NO RESTRICTED TO

108-18403 A3 00779 C=967067 -

WEIGHT SEE TABLE

CUSTOMER DRAWING

SCALE 10:1

SHEET 1 OF 1 REV A10