



Chipsmall Limited consists of a professional team with an average of over 10 year of expertise in the distribution of electronic components. Based in Hongkong, we have already established firm and mutual-benefit business relationships with customers from,Europe,America and south Asia,supplying obsolete and hard-to-find components to meet their specific needs.

With the principle of “Quality Parts,Customers Priority,Honest Operation,and Considerate Service”,our business mainly focus on the distribution of electronic components. Line cards we deal with include Microchip,ALPS,ROHM,Xilinx,Pulse,ON,Everlight and Freescale. Main products comprise IC,Modules,Potentiometer,IC Socket,Relay,Connector.Our parts cover such applications as commercial,industrial, and automotives areas.

We are looking forward to setting up business relationship with you and hope to provide you with the best service and solution. Let us make a better world for our industry!



Contact us

Tel: +86-755-8981 8866 Fax: +86-755-8427 6832

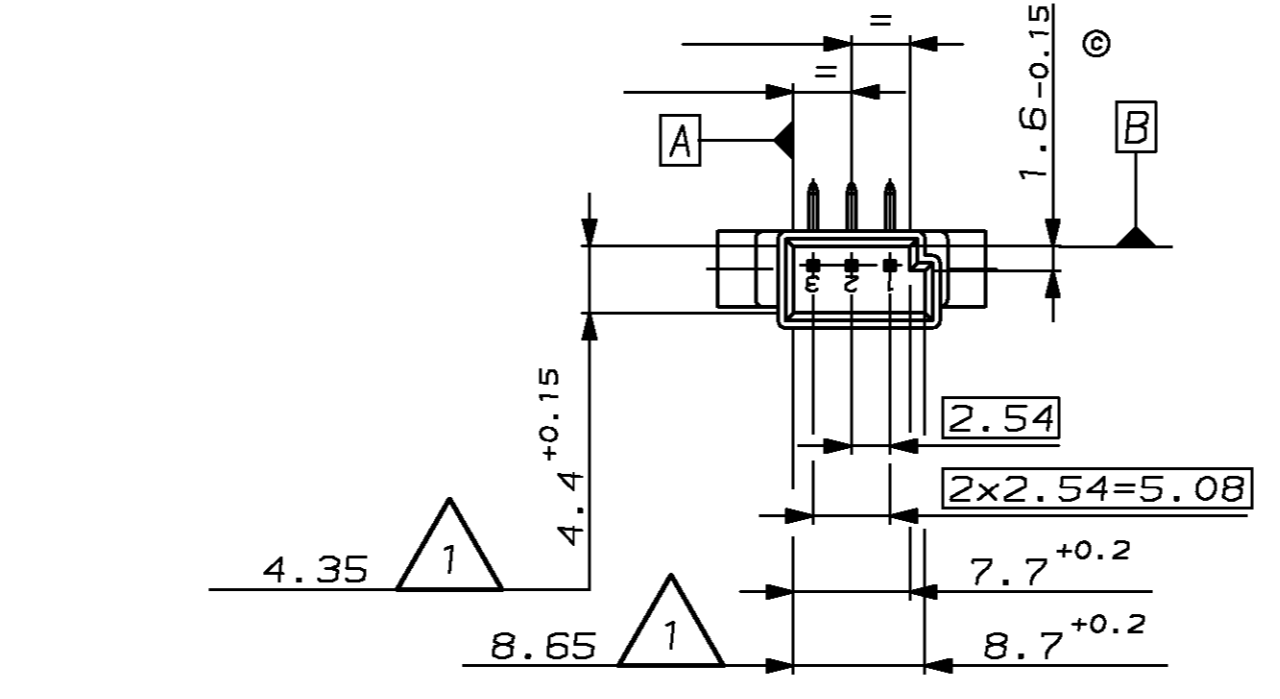
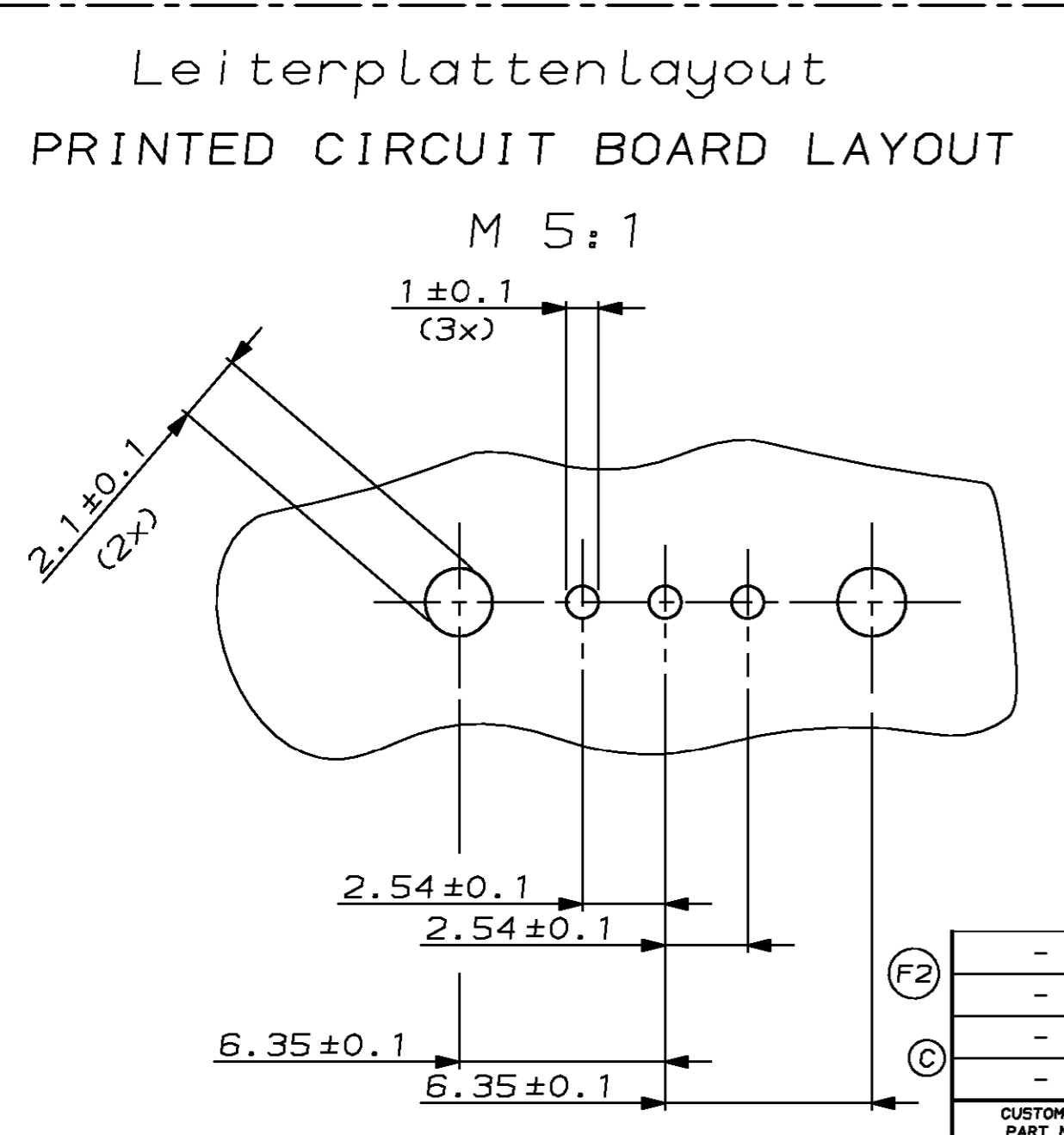
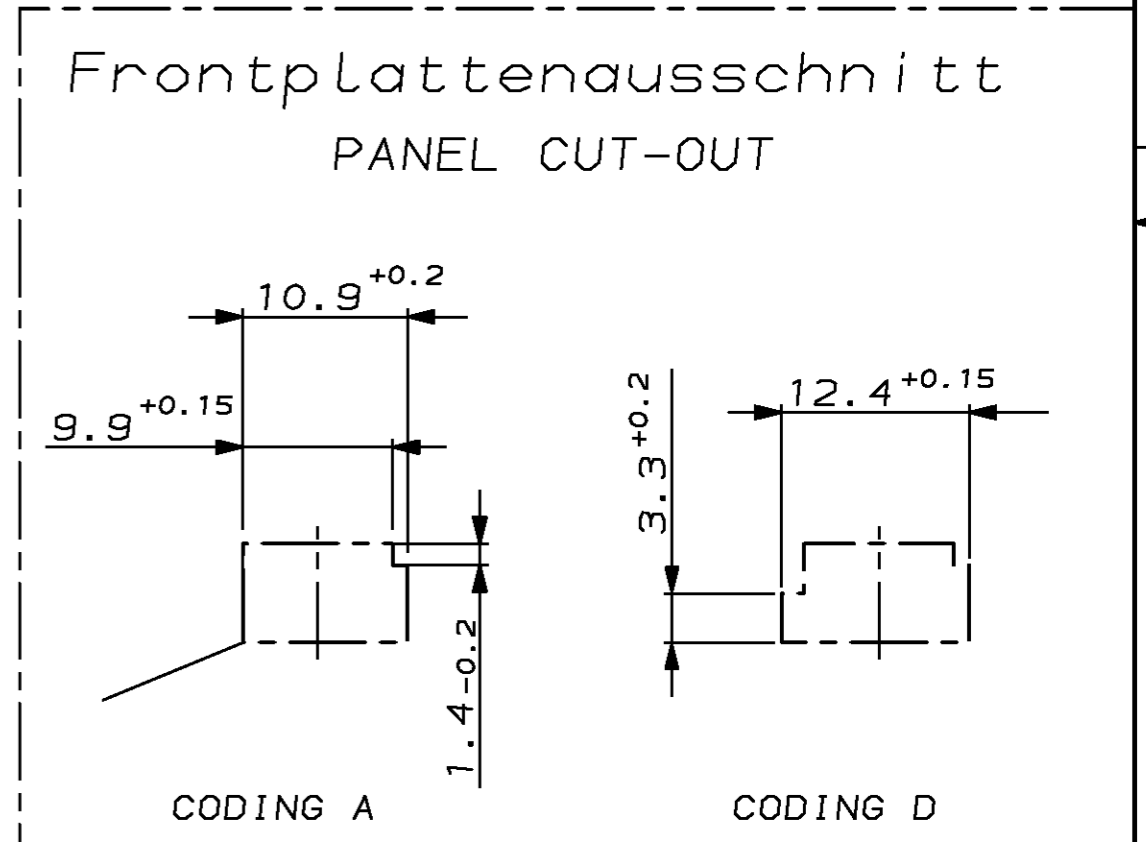
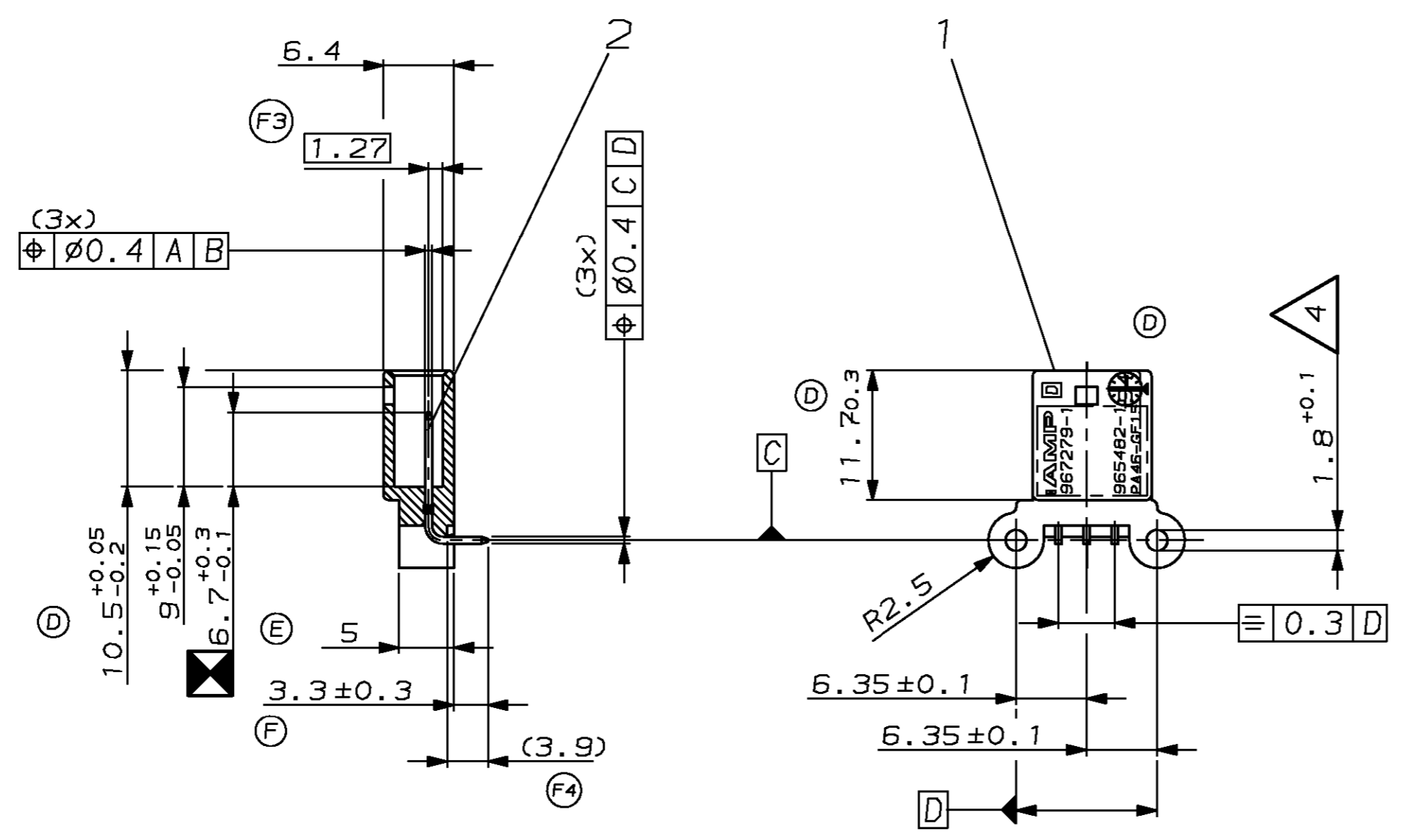
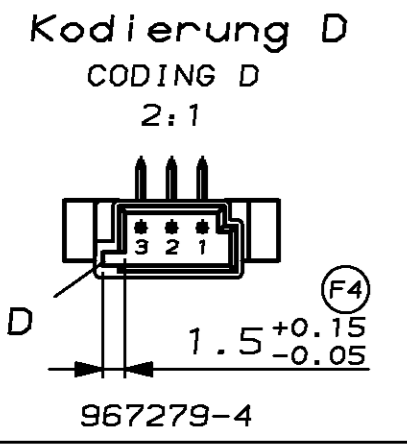
Email & Skype: info@chipsmall.com Web: www.chipsmall.com

Address: A1208, Overseas Decoration Building, #122 Zhenhua RD., Futian, Shenzhen, China



THIS DRAWING IS UNCLASSIFIED
 VERTRAGLICHE UNVERÄNDERLICHE ZEICHNUNG
 (C) COPYRIGHT 1994 BY AMP INCORPORATED. ALL RIGHTS RESERVED
 RELEASED FOR PUBLICATION
 FREI FÜR VERÖFFENTLICHUNG
 ALLE RECHTE VORBEHALTEN
 DATED WITH
 PASSEND ZU:
 965444/965445

LOC	DIST	REVISIONS	DATE	DWN	APVD
		ÄNDERUNGEN			
		DESCRIPTION			
		BESCHREIBUNG			
AI	-				
		P LTR			
		PROJECT NR.: 92-52277			
		B MATERIAL PIN HOUSING CHANGED	06.05.94	K.MATTERN	-
		C MATERIAL PIN HOUSING CHANGED	28.06.95	K.MATTERN	-
		D DIM. CHANGED	04.08.94	S.FIMMER	-
		D1 NOTE 6 ADDED	28.04.95	MATTERN	-
		E PIN LENGTH CHANGED	05.08.96	MATTERN	-
		F PIN LENGTH CHANGED	20.06.97	MATTERN	-
		F1 EG00-0733-9B, NEW DWG.-FRAME	09 JUL 98	KBMME	-
		F2 EG00-2724-02 ,CODING D 967279-4 ADDED	22.08.02	Finger	-
		F3 EGA0-1025-03, DIMENSION NEW ADDED	10.12.03	Heinh.	Steinh.
		F4 ECR-07-022467, COD.D, DIMENSION CORRECTED	19.10.07	Heinh.	Steinh.



Maß für : SPC
 DIMENSION TO : SPC
 Theo. Funktionsmaße, sie haben keine Toleranz und geben eine genaue Lage, Funktion oder Kontur an.
 DENOTES BASIC DIMENSIONS. BASIC DIMENSIONS HAVE ZERO TOLERANCE AND DESCRIBE THE THEORETICAL EXACT LOCATION (TRUE POSITION) OF A FEATURE OR CONTOUR.

Bemerkungen:

- 1 Einfall zulässig bis
 PERMISSIBLE COLLAPS TO
- 2 Kontaktausdrückkraft >25 N
 PULLOUT-FORCE OF THE CONTACT >25N
- 3 Lötbarkeit gemäß ICE 68 Teil 2-20, Alterung 3
 SOLDERABILITY ACCORDING TO ICE 68, PART 2-20, AGEING 3
- 4 Befestigungsbohrung für AVLUG Hohlkiet der Fa. AVDEL
 Bestellnr.: 1107-0208
- 5 Die Teile müssen nach der Lötanwendung 24h in Normklima 23/50-1 DIN 50014 konditioniert werden.
 THE PARTS HAS TO BE CONDITIONED 24h AFTER THE SOLDERING PROCESS IN NORMAL ATMOSPHER OF 23/50-1 DIN 50014.

CUSTOMER PART NO	AMP PART NO	REV.	PCS.	MATERIAL	SURFACE COLOR	DESCRIPTION	ITEM NO
-	967279-4	A	3	CuFe2	verzinkt	MODU II Stift	2
-	967279-4	A	1	PA46-GF15	schwarz	Stiftwanne	1
-	967279-1	F	3	CuFe2	verzinkt	MODU II Stift	2
-	967279-1	F	1	PA46-GF15	schwarz	Stiftwanne	1

THIS DRAWING IS A CONTROLLED DOCUMENT FOR AMP INCORPORATED. IT IS SUBJECT TO CHANGE AND THE CONTROLLING ENGINEERING ORGANIZATION SHOULD BE CONTACTED FOR THE LATEST REVISION. DIESER ZEICHNUNGSSTATUS WIRD DURCH AMP INCORPORATED KONTROLLIERT. ÄNDERUNGEN, DIE DEN TECHNISCHEN FORTSCHRITT DISENEN, SIND VORBEHALTEN. DEN JEDELS LETZTMALIGEN ANSCHUSSSTAND BEWAHREN SIE AMP OFFICE.		DWN K.MATTERN 08-FEB-94 CHK H. BOUDA 08-FEB-94		AMP AMP Deutschland GmbH D - 63225 Langen	
DIMENSIONS: mm TOLERANCES UNLESS OTHERWISE SPECIFIED: ALLGEMEINTOLERANZEN ±0.15mm		APVD - NAME PRODUCT SPEC PRODUKTSPEZ.		PIN HOUSING (90°), 3POS., MQS Stiftwanne (90°), 3pol., MQS	
MATERIAL: -		APPLICATION SPEC VERARBEITUNGSSPEZ.		SIZE: A2 CAGE CODE: 00779 DRAWING NO: 967279 ZEICHNUNGS-NR.	
FINISH/OBERFLÄCHE/FARBE: -		WEIGHT/GEWICHT: -		RESTRICTED TO NUR FUER: -	
CUSTOMER DRAWING /KUNDENZEICHNUNG		MASSSTAB: 2:1		BLATT 1 VON 1 REV F4	