



Chipsmall Limited consists of a professional team with an average of over 10 year of expertise in the distribution of electronic components. Based in Hongkong, we have already established firm and mutual-benefit business relationships with customers from,Europe,America and south Asia,supplying obsolete and hard-to-find components to meet their specific needs.

With the principle of “Quality Parts,Customers Priority,Honest Operation,and Considerate Service”,our business mainly focus on the distribution of electronic components. Line cards we deal with include Microchip,ALPS,ROHM,Xilinx,Pulse,ON,Everlight and Freescale. Main products comprise IC,Modules,Potentiometer,IC Socket,Relay,Connector.Our parts cover such applications as commercial,industrial, and automotives areas.

We are looking forward to setting up business relationship with you and hope to provide you with the best service and solution. Let us make a better world for our industry!



## Contact us

Tel: +86-755-8981 8866 Fax: +86-755-8427 6832

Email & Skype: info@chipsmall.com Web: www.chipsmall.com

Address: A1208, Overseas Decoration Building, #122 Zhenhua RD., Futian, Shenzhen, China

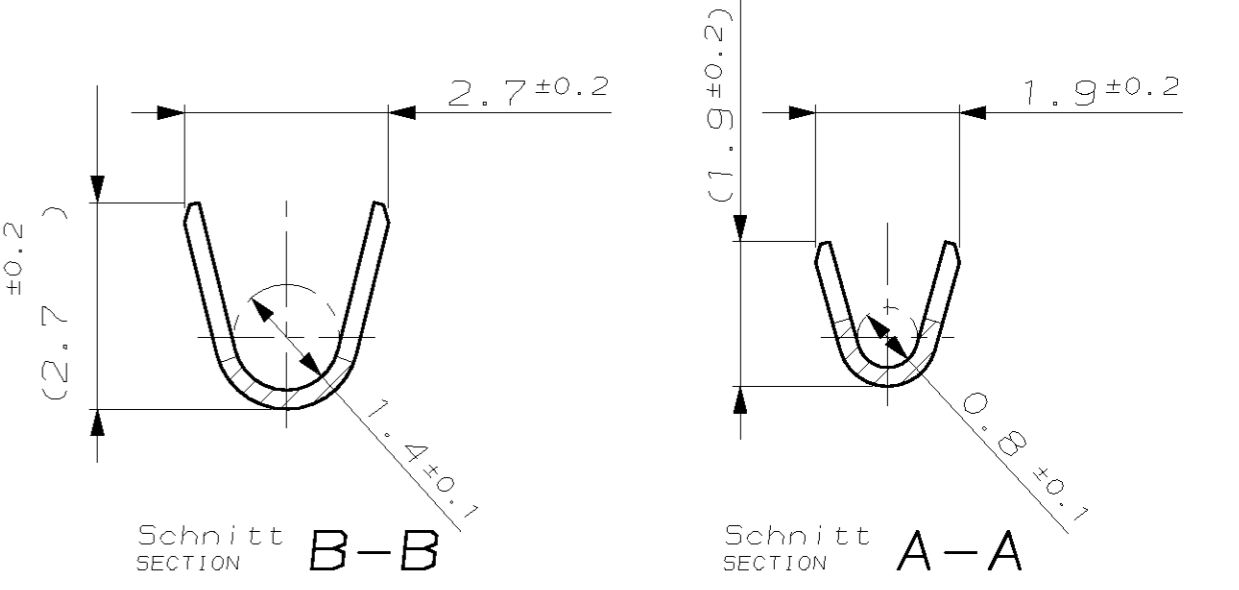
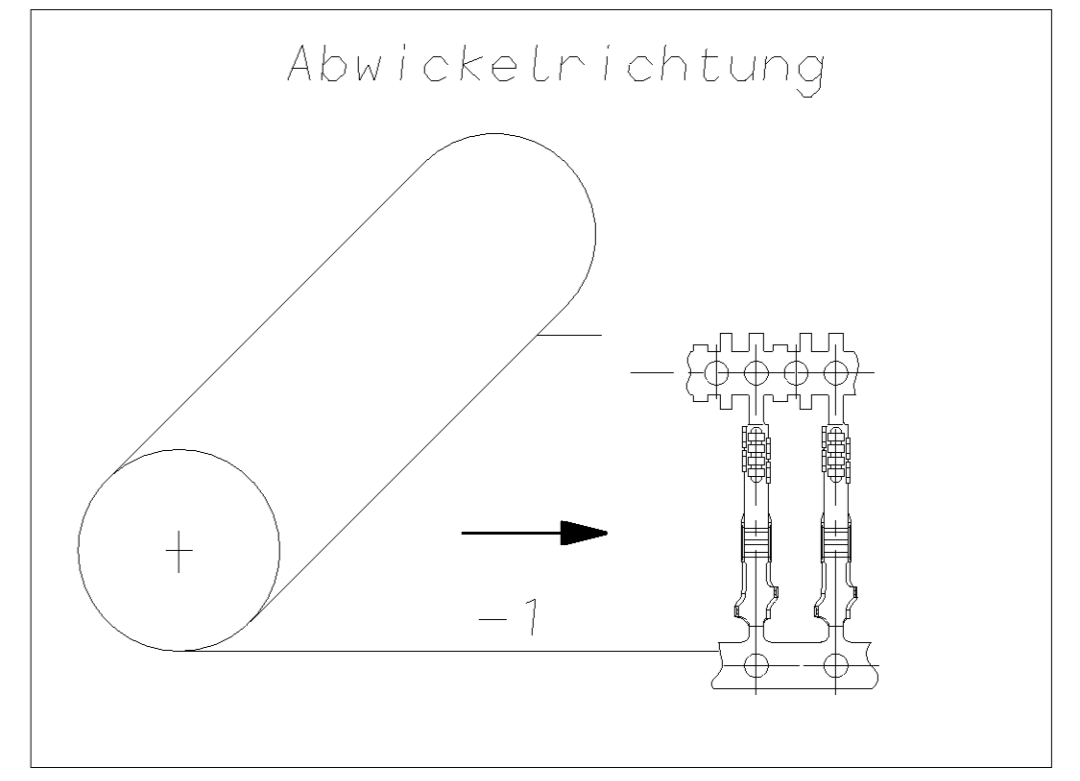
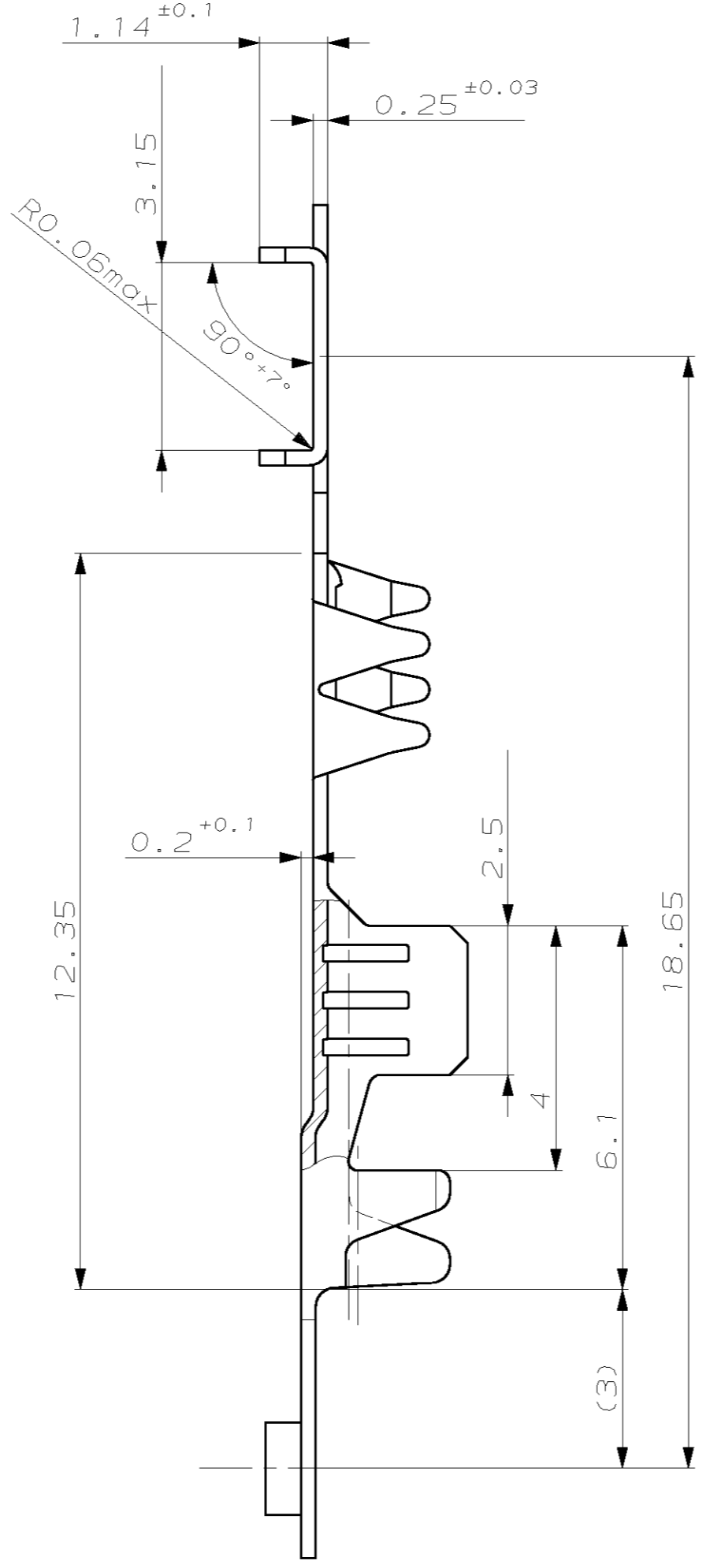
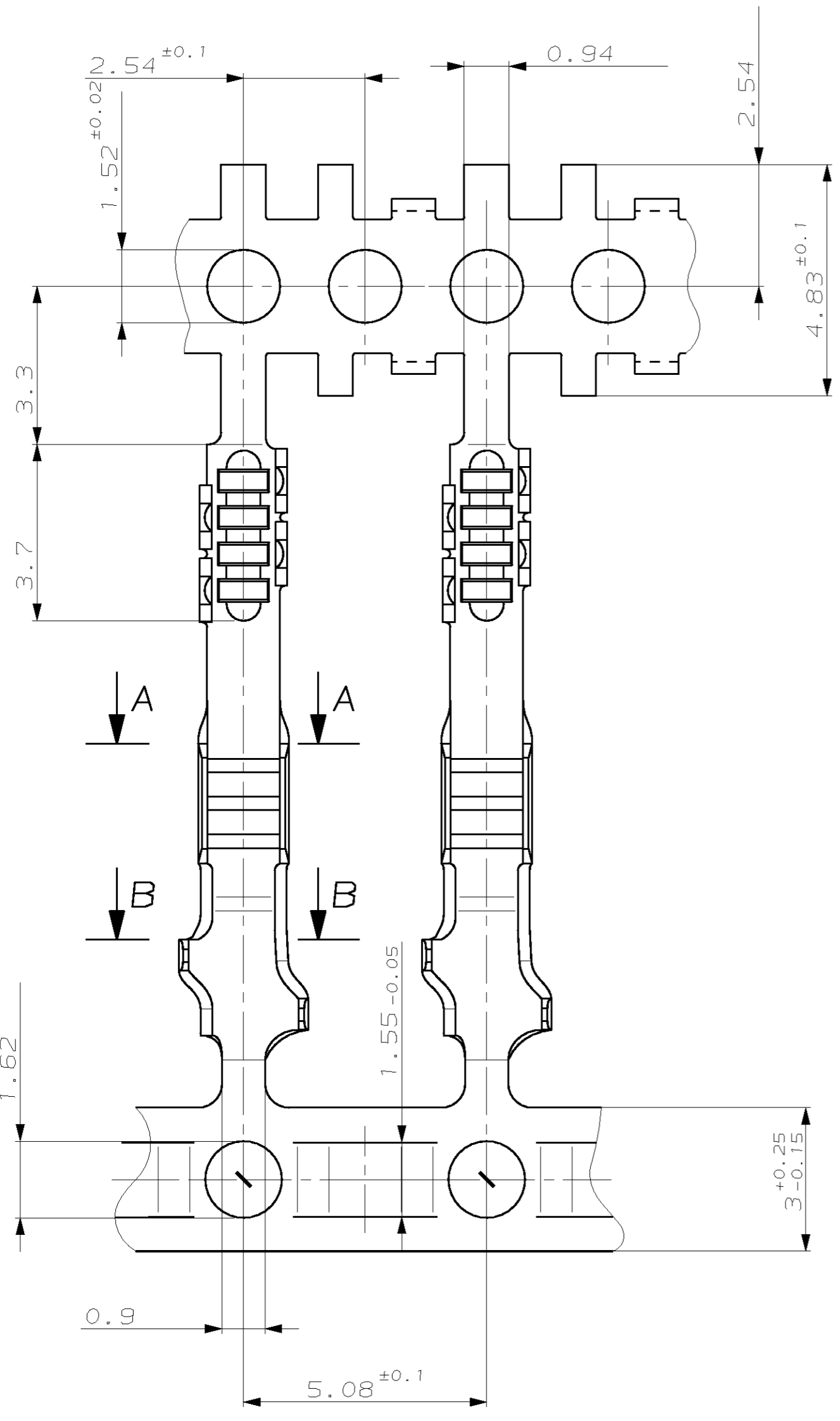


THIS DRAWING IS UNPUBLISHED.  
 VERTRAULICHE UNVERÖFFENTLICHTE ZEICHNUNG  
 RELEASED FOR PUBLICATION  
 FREI FÜR VERÖFFENTLICHUNG  
 JUNI, 1998  
 MATED WITH:  
 PASSEND ZU:  
 -  
 ALL RIGHTS RESERVED  
 ALLE RECHTE VORBEHALTEN  
 BY AMP INCORPORATED.  
 © COPYRIGHT 1998

LOC		DIST		REVISIONS			
P	LTR	DESCRIPTION	DATE	DWN	APVD		
AI -							
PROJEKT NR.: 93-52083		A	PCN NO EG00-617-98-1	03.06.98	Ho.	-	
		A1	PCN NO EG00-2207-03	24.06.03	WD	HW	

Drahtgrößenbereich 0.2 - 0.5 mm<sup>2</sup>  
 Isolations ø 1.15 - 1.6 mm  
 Application-Spec.: 114-16015

Crimphöhen:  
 0.20mm<sup>2</sup> = 0.84mm  
 0.25mm<sup>2</sup> = 0.86mm  
 0.35mm<sup>2</sup> = 0.92mm  
 0.50mm<sup>2</sup> = 1.01mm  
 Drahtcrimpbreite: .055F (1.4mm)  
 Isocrimpbreite: .080 (2.03mm)



CUSTOMER PART NO	AMP PART NO	REV.	PCS.	MATERIAL	SURFACE COLOR	DESCRIPTION	ITEM NO
-	-	-	-	-	-	-	-
-	-	-	-	-	-	-	-
-	-	-	-	-	-	-	-
-	968616-1	A	-	CuSn4	vorverzinkt	Splice für Draht und FFC	-

<small>THIS DRAWING IS A CONTROLLED DOCUMENT FOR AMP INCORPORATED. IT IS SUBJECT TO CHANGE AND THE CONTROLLING ENGINEERING ORGANIZATION SHOULD BE CONTACTED FOR THE LATEST REVISION. DIESSES ZEICHNUNGS-DOKUMENT WIRD DURCH AMP INCORPORATED KONTROLLIERT. ÄNDERUNGEN, DIE DEN TECHNISCHEN FORTSCHRITT DIENTEN, SIND VORBEHALTEN. DEN JENEMIS LETZTSTUELTIGEN AENDERUNGSSTAND BEFOLGEN SIE AUF ANFRAGE.</small> DIMENSIONEN: mm OTHERWISE SPECIFIED: ±0.15MM TOLERANCES UNLESS OTHERWISE SPECIFIED: ±1% ANGLES/WINKEL: FINISH/OBERFLAECHE/FARBE		DWN: V. Holzmann 03-JUN-98 CHK: M. Schwäger 03-JUN-98 APVD: - PRODUCT SPEC: - APPLICATION SPEC: - VERARBEITUNGSSPEZ.: - WEIGHT: - GEWICHT: -	<b>AMP</b> AMP Deutschland GmbH D - 63225 Langen Splice für Draht und FFC SIZE: A2 CAGE CODE: 00779 DRAWING NO: 968616 ZEICHNUNGS-NR.: MASSSTAB: 10:1 BLATT: 1 OF VON: 1 REV: A1
MATERIAL: CuSn4 vorverzinkt		CUSTOMER DRAWING / KUNDENZEICHNUNG	

968616