



Chipsmall Limited consists of a professional team with an average of over 10 year of expertise in the distribution of electronic components. Based in Hongkong, we have already established firm and mutual-benefit business relationships with customers from,Europe,America and south Asia,supplying obsolete and hard-to-find components to meet their specific needs.

With the principle of "Quality Parts,Customers Priority,Honest Operation,and Considerate Service",our business mainly focus on the distribution of electronic components. Line cards we deal with include Microchip,ALPS,ROHM,Xilinx,Pulse,ON,Everlight and Freescale. Main products comprise IC,Modules,Potentiometer,IC Socket,Relay,Connector.Our parts cover such applications as commercial,industrial, and automotives areas.

We are looking forward to setting up business relationship with you and hope to provide you with the best service and solution. Let us make a better world for our industry!



Contact us

Tel: +86-755-8981 8866 Fax: +86-755-8427 6832

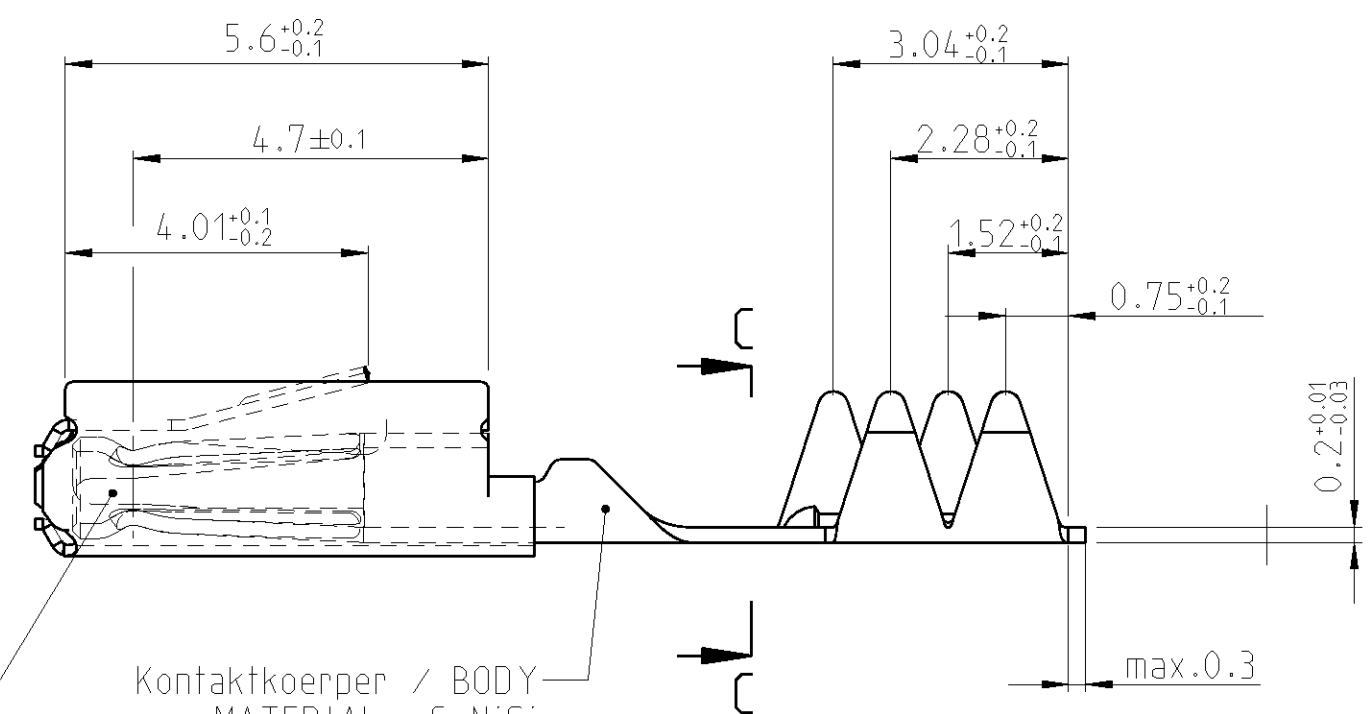
Email & Skype: info@chipsmall.com Web: www.chipsmall.com

Address: A1208, Overseas Decoration Building, #122 Zhenhua RD., Futian, Shenzhen, China

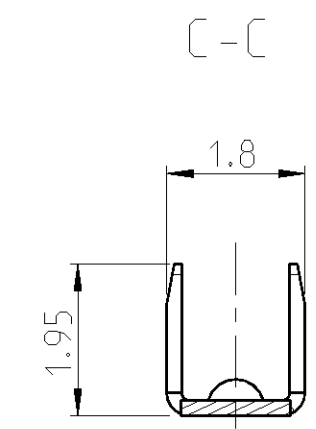


THIS DRAWING IS UNPUBLISHED. RELEASED FOR PUBLICATION 2004
 © COPYRIGHT 1999 - ALL RIGHTS RESERVED.

LOC	DIST	REVISIONS					
		P	LTR	DESCRIPTION	DATE	DWN	APVD
A1	-	A1	EG00	0129 99	19FEB1999	SG	RJ
		A2	EGAO	0795 04	05APR2004	Abr	HK
		A3	ECR-11-	016077	08NOV2012	Abr	Brun
		A4	ECR-13-	015135	27SEP2013	Abr	Brun

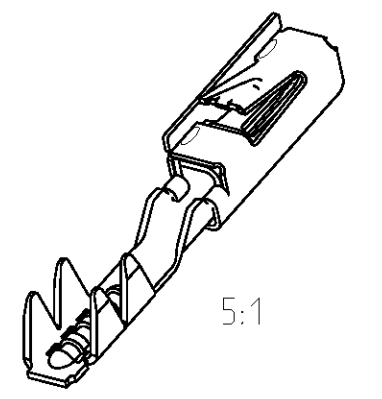
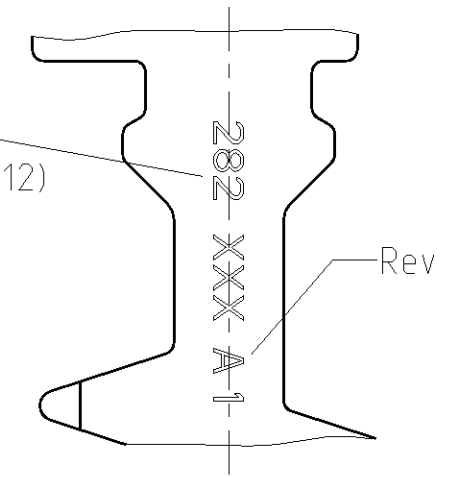
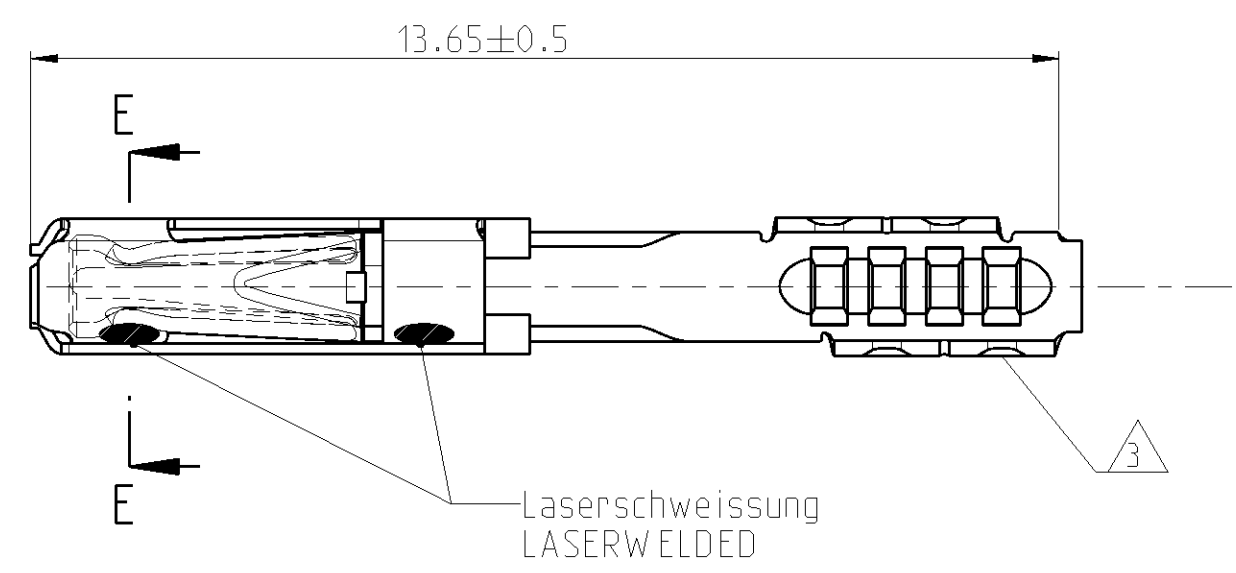
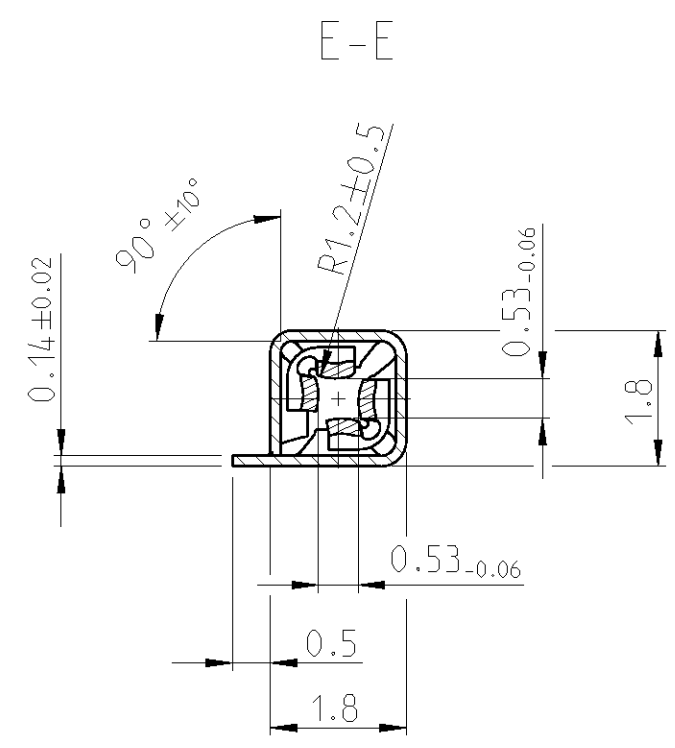


Ueberfeder / SPRING MATERIAL : X10CrNi 18 8
 Oberflaeche / SURFACE : BLANK
 Kontaktkoerper / BODY MATERIAL : CuNiSi
 Oberflaeche : siehe Tabelle
 SURFACE : SEE CHART



Bemerkungen
 NOTES

- 1 Einzelheiten der Ausfuehrung bleiben dem Hersteller ueberlassen
 DETAILS OF DESIGN ARE LEFT TO MANUFACTURER
- 2 Passend zu Stifkontakt siehe Zeichnung : 929453
 SUITABLE FOR PIN CONTACT SEE DRAWING : 929453
- 3 passend fuer flexiblen Flachleiter PN 88586
 SUITABLE FOR FFC PN 88586
- 5 Datumscode (Woche / Jahr, z.B. KW28 / Jahr 2012)
 und TE-Revision (z.B.Rev.A)
 DATE-CODE WEEK / YEAR (E.G. WEEK NUMBER 28/ YEAR 2012)
 AND TE REVISION (E.G. REV. A)



968987-1	A	Sn	0.1
Bandware Bestell-Nr	REV.	Oberflaeche SURFACE	Gewicht WEIGHT
STRIP ORDER NO.			g

THIS DRAWING IS A CONTROLLED DOCUMENT.		DWN S. Garcia 30APR1998	STE TE Connectivity	
DIMENSIONS: mm		CHK R. Jetter 30APR1998		
TOLERANCES UNLESS OTHERWISE SPECIFIED:		APVD Bleicher M. 05APR2004	NAME Micro Quadlok System	
0-PLC ±		PRODUCT SPEC 108-18030	MQS-Buchsenkontakt mit FFC Crimp	
1-PLC ± ±0.2		APPLICATION SPEC 114-18287	FLEXIBLE FLAT CABLE SOCKET CONTACT	
2-PLC ±		WEIGHT -	SIZE A2	CAGE CODE 00779
3-PLC ±		Customer Drawing	DRAWING NO C-968987	RESTRICTED TO -
4-PLC ±			SCALE 10:1	SHEET 1 OF 1
ANGLES ±1°				REV A4
FINISH				