



Chipsmall Limited consists of a professional team with an average of over 10 year of expertise in the distribution of electronic components. Based in Hongkong, we have already established firm and mutual-benefit business relationships with customers from,Europe,America and south Asia,supplying obsolete and hard-to-find components to meet their specific needs.

With the principle of “Quality Parts,Customers Priority,Honest Operation,and Considerate Service”,our business mainly focus on the distribution of electronic components. Line cards we deal with include Microchip,ALPS,ROHM,Xilinx,Pulse,ON,Everlight and Freescale. Main products comprise IC,Modules,Potentiometer,IC Socket,Relay,Connector.Our parts cover such applications as commercial,industrial, and automotives areas.

We are looking forward to setting up business relationship with you and hope to provide you with the best service and solution. Let us make a better world for our industry!



Contact us

Tel: +86-755-8981 8866 Fax: +86-755-8427 6832

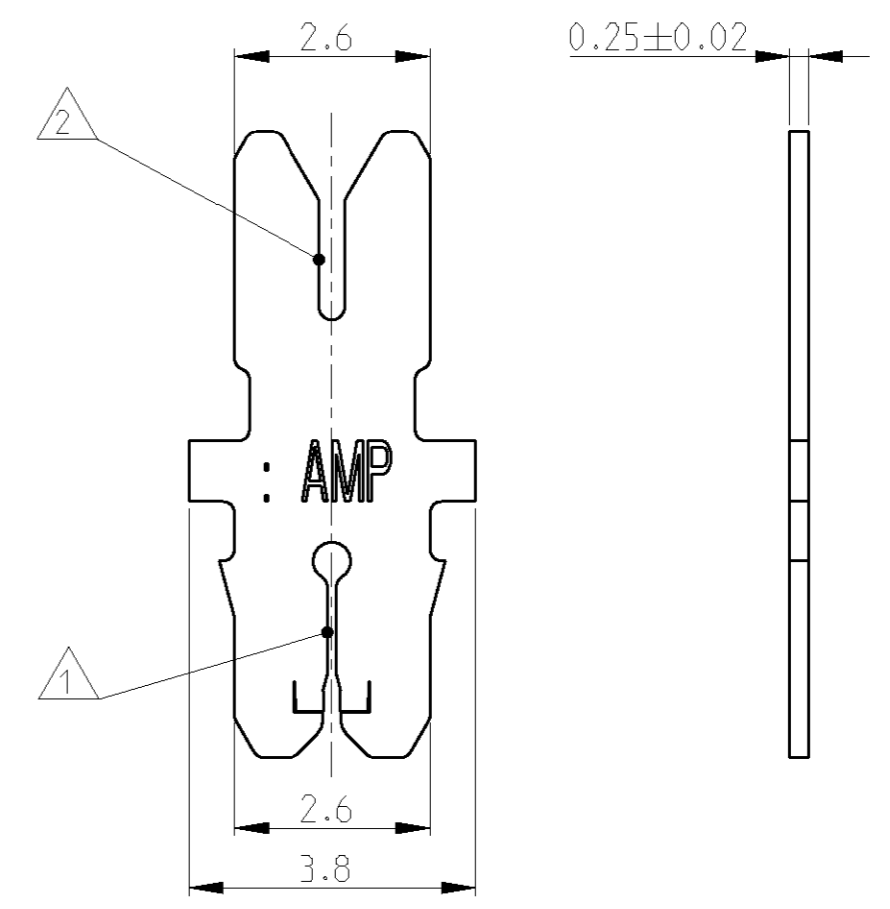
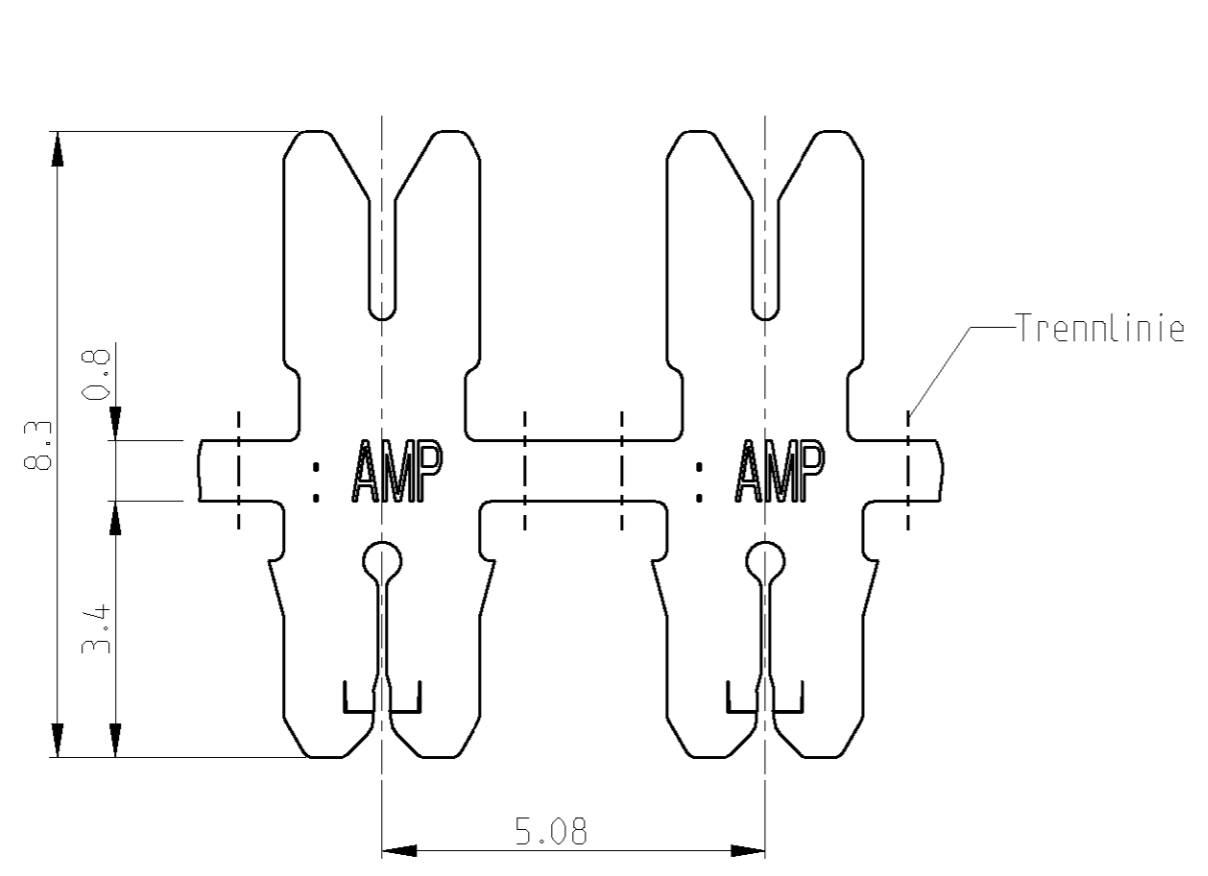
Email & Skype: info@chipsmall.com Web: www.chipsmall.com

Address: A1208, Overseas Decoration Building, #122 Zhenhua RD., Futian, Shenzhen, China



THIS DRAWING IS UNPUBLISHED. RELEASED FOR PUBLICATION
 © COPYRIGHT 1996 BY TYCO ELECTRONICS CORPORATION. ALL RIGHTS RESERVED.

LOC	DIST	REVISIONS				
P	LTR	DESCRIPTION	DATE	DWN	APVD	
A1	-	Maß 8.3 war 8.5, Maß 3.4 war 3.5	05.03.97	Schwan	PL	
A2	-	Text bei Note 3 geändert	27MAY1997	ATZM	PL	
A3	-	Text bei Note 2 und 3 erweitert.	13AUG2003	Ba.	PL.	



- 1 geeignet für Kupferlackdraht $\varnothing 0.18...0.25\text{mm}$
- 2 geeignet für 7-adrige Litze 0.35mm^2
(nach Datenblatt Gebauer und Grillner K 929 D10)
- 3 Anlieferungszustand: Kontakte fortlaufend mit Papierzwischenlage auf Kunststoffspule aufgewickelt. Splice-Stellen nicht miteinander verbunden

969 112-1	-	-	DUAL ID-KONTAKT	CuNiSiMg	blank
Bestell-Nr.	POS.	STÜCK	BENENNUNG EINZELTEIL	WERKSTOFF	OBERFLÄCHE
<small>THIS DRAWING IS A CONTROLLED DOCUMENT FOR TYCO ELECTRONICS CORPORATION IT IS SUBJECT TO CHANGE AND THE CONTROLLING ENGINEERING ORGANIZATION SHOULD BE CONTACTED FOR THE LATEST REVISION.</small>			DWN R.Schwan 19.12.96	tyco Electronics tyco Electronics AMP GmbH D - 64625 Bensheim	
DIMENSIONS: mm 			TOLERANCES UNLESS OTHERWISE SPECIFIED: 1 PL ±0.13 2 LC ± 3 PL ± ANGL ±1°		NAME: DUAL ID-KONTAKT PRODUCT SPEC: - APPLICATION SPEC: -
MATERIAL: -			FINISH: -	WEIGHT: -	RESTRICTED TO: -
CUSTOMER DRAWING				SCALE: 10:1	SHEET 1 OF 1 REV A3