



Chipsmall Limited consists of a professional team with an average of over 10 year of expertise in the distribution of electronic components. Based in Hongkong, we have already established firm and mutual-benefit business relationships with customers from,Europe,America and south Asia,supplying obsolete and hard-to-find components to meet their specific needs.

With the principle of “Quality Parts,Customers Priority,Honest Operation,and Considerate Service”,our business mainly focus on the distribution of electronic components. Line cards we deal with include Microchip,ALPS,ROHM,Xilinx,Pulse,ON,Everlight and Freescale. Main products comprise IC,Modules,Potentiometer,IC Socket,Relay,Connector.Our parts cover such applications as commercial,industrial, and automotives areas.

We are looking forward to setting up business relationship with you and hope to provide you with the best service and solution. Let us make a better world for our industry!



Contact us

Tel: +86-755-8981 8866 Fax: +86-755-8427 6832

Email & Skype: info@chipsmall.com Web: www.chipsmall.com

Address: A1208, Overseas Decoration Building, #122 Zhenhua RD., Futian, Shenzhen, China

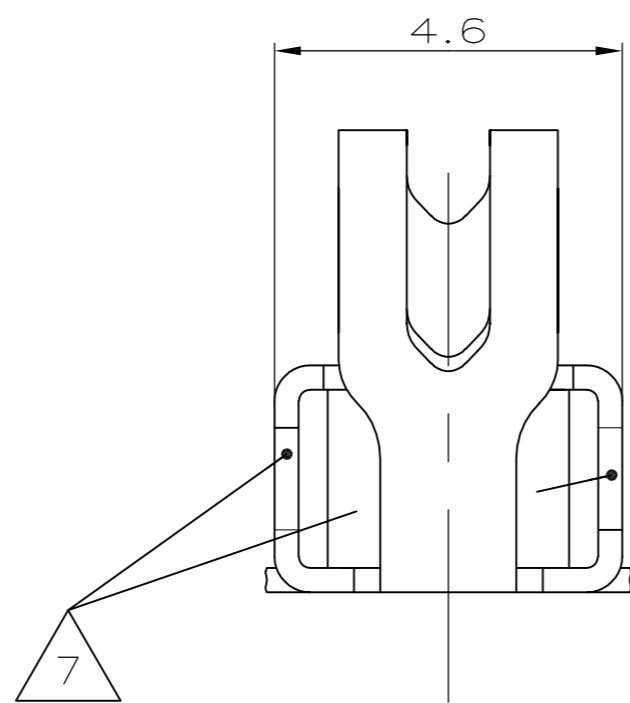
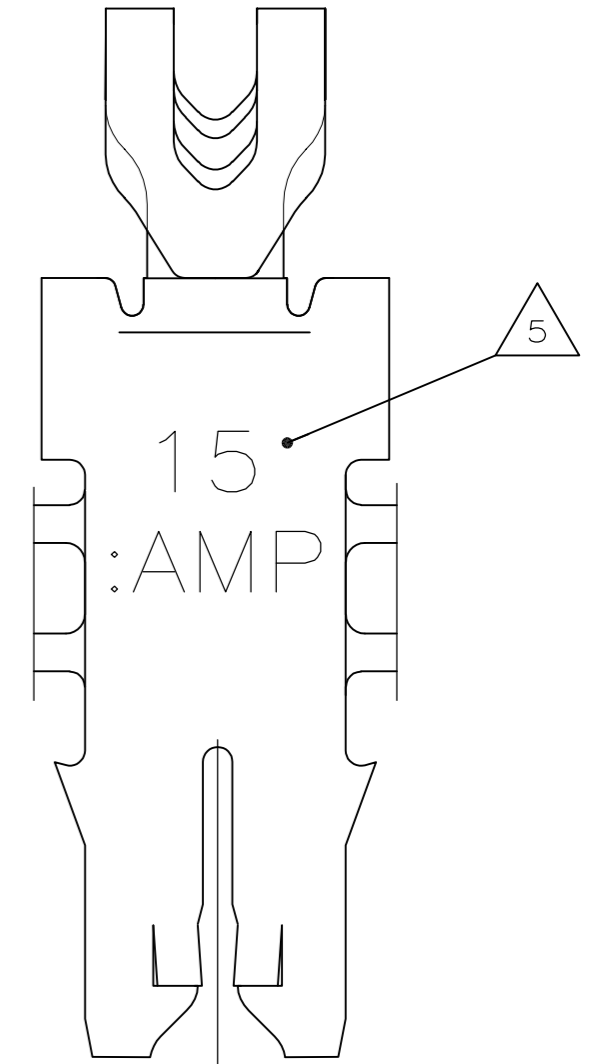
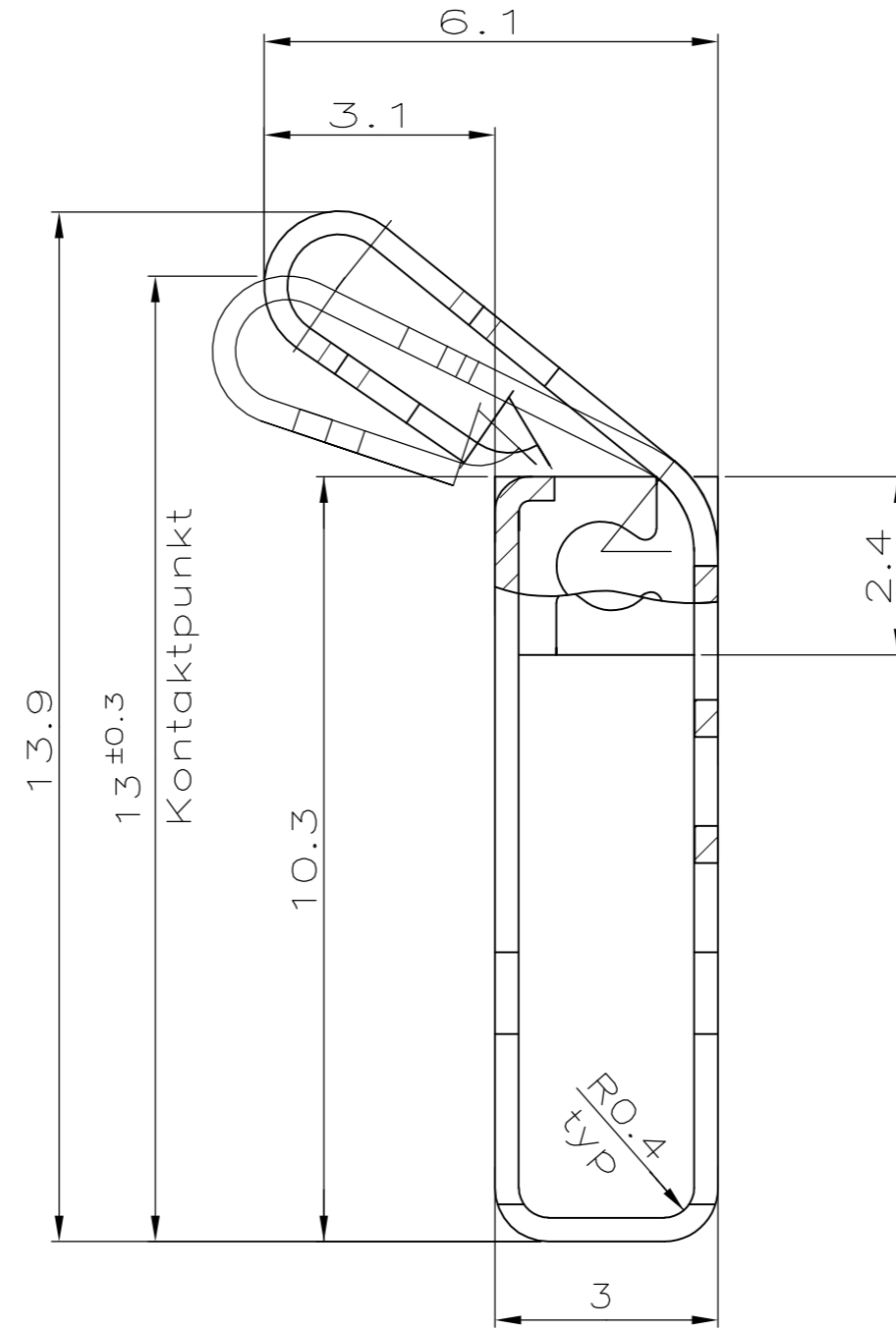
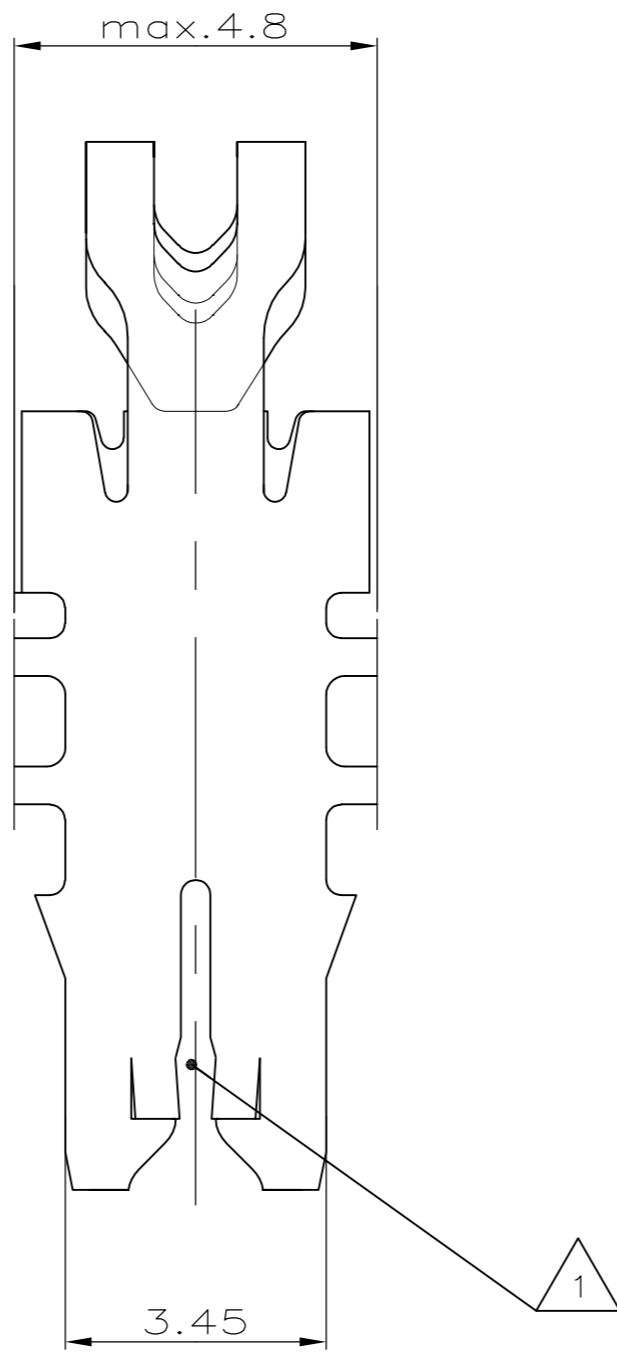
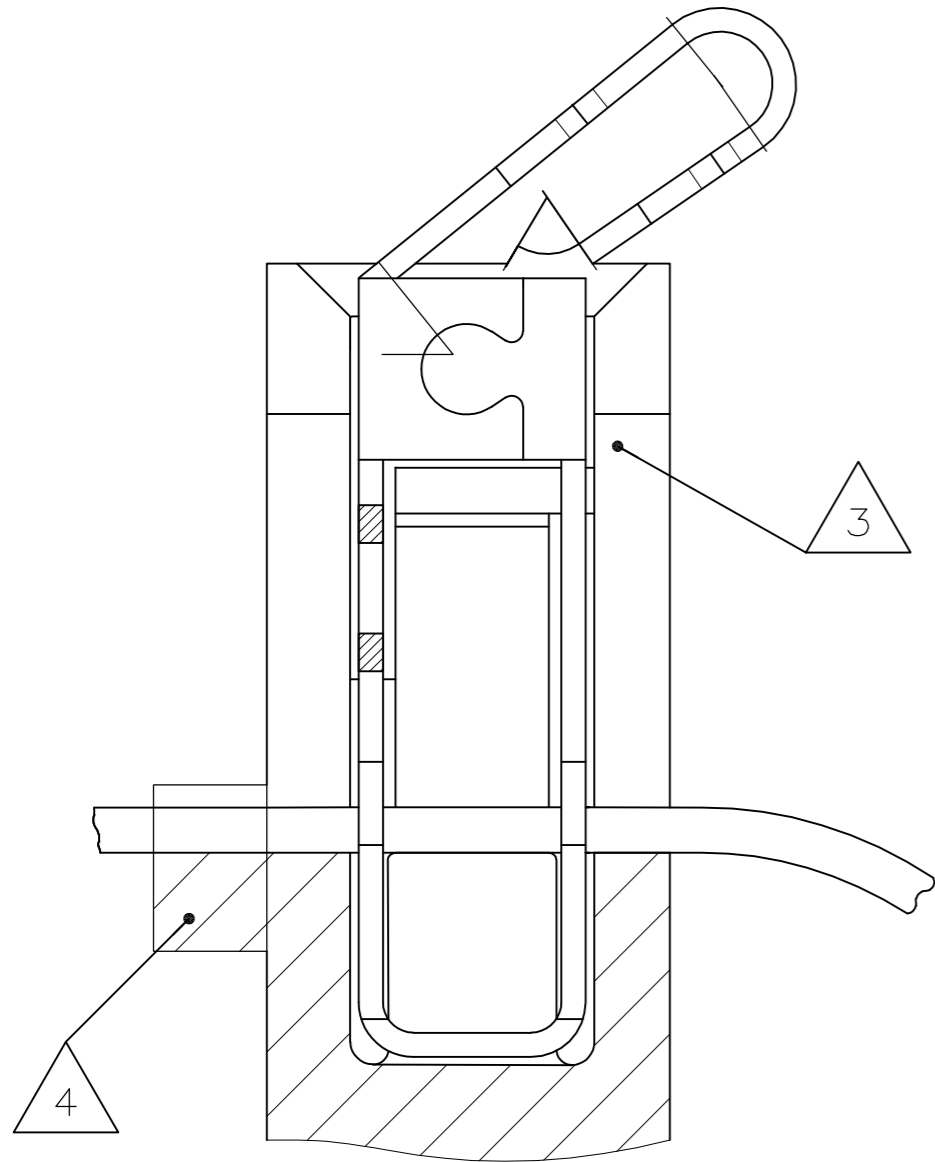


THIS DRAWING IS UNPUBLISHED.
 VERTRAULICHE UNVERÖFFENTLICHTE ZEICHNUNG
 © COPYRIGHT - 97 -

RELEASED FOR PUBLICATION
 FREI FÜR VERÖFFENTLICHUNG
 ALL RIGHTS RESERVED.
 ALLE RECHTE VORBEHALTEN

LOC		DIST		REVISIONS		
IR		-		ÄNDERUNGEN		
P	LTR	DESCRIPTION	DATE	DWN	APVD	
A1		Neues Zeichnungsformat	19.06.98	Hoff	Pl.	
A2		-2 VERSION ADDED AS PRELIMINARY	15APR14	PKS	RRP	

Kontakt im eingebauten Zustand



- 7 max. Auflagefläche für Stromübertragung zum Verbacken 2.4mm²
- 6. Material 0.32mm dick
- 5 Kennziffer für Drahtgrößenbereich (15)
- 4 Bereich wird beim Kontaktieren abgetrennt
- 3 Kammer nach Zchnng. 96-52884-70 Rev. 1
- 2. Einsatz Temperatur incl. Stromerwärmung 120° C Kurzzeitig (max. 10 min.) 140° C
- 1 Kontakt geeignet für: Lackdraht, Einzeldraht Ø0.60...0.80mm

PRELIMINARY	969125-2	1	CuNiSi	VERZINNT
	969125-1	A	CuNiSi	VORVERZINNT
CUSTOMER PN	PN	REV	MATERIAL	FINISH

THIS DRAWING IS A CONTROLLED DOCUMENT. DIESE ZEICHNUNG IST EIN KONTROLLIERTES DOKUMENT.		DWN Tongi 17.12.96	TE Connectivity	
DIMENSIONS: MASSENHEITEN mm		CHK Ploßner 17.12.96	MAG-MATE TERMINAL MIT AUßENLIEGENDER KONTAKTFEDER	
TOLERANCES UNLESS OTHERWISE SPECIFIED: ALLGEMEINTOLERANZEN		APVD -	NAME	
0 PLC ± - 1 PLC ± 0.2 2 PLC ± - 3 PLC ± - 4 PLC ± - ANGLES / WINKEL ± - FINISH / OBERFLÄCHE / FARBE		PRODUCT SPEC PRODUKTSPEZ. -	SIZE A2	CAGE CODE 00779
MATERIAL		APPLICATION SPEC. VERÄBERUNGSSPEZ. -	DRAWING NO. ZEICHNUNGS-NR. C=969125	RESTRICTED TO NUR FÜR
		WEIGHT GEWICHT -	SCALE MASSTAB 10:1	SHEET BLATT 1 OF 1 REV A2
		CUSTOMER DRAWING / KUNDENZEICHNUNG		