



Chipsmall Limited consists of a professional team with an average of over 10 year of expertise in the distribution of electronic components. Based in Hongkong, we have already established firm and mutual-benefit business relationships with customers from,Europe,America and south Asia,supplying obsolete and hard-to-find components to meet their specific needs.

With the principle of “Quality Parts,Customers Priority,Honest Operation,and Considerate Service”,our business mainly focus on the distribution of electronic components. Line cards we deal with include Microchip,ALPS,ROHM,Xilinx,Pulse,ON,Everlight and Freescale. Main products comprise IC,Modules,Potentiometer,IC Socket,Relay,Connector.Our parts cover such applications as commercial,industrial, and automotives areas.

We are looking forward to setting up business relationship with you and hope to provide you with the best service and solution. Let us make a better world for our industry!



Contact us

Tel: +86-755-8981 8866 Fax: +86-755-8427 6832

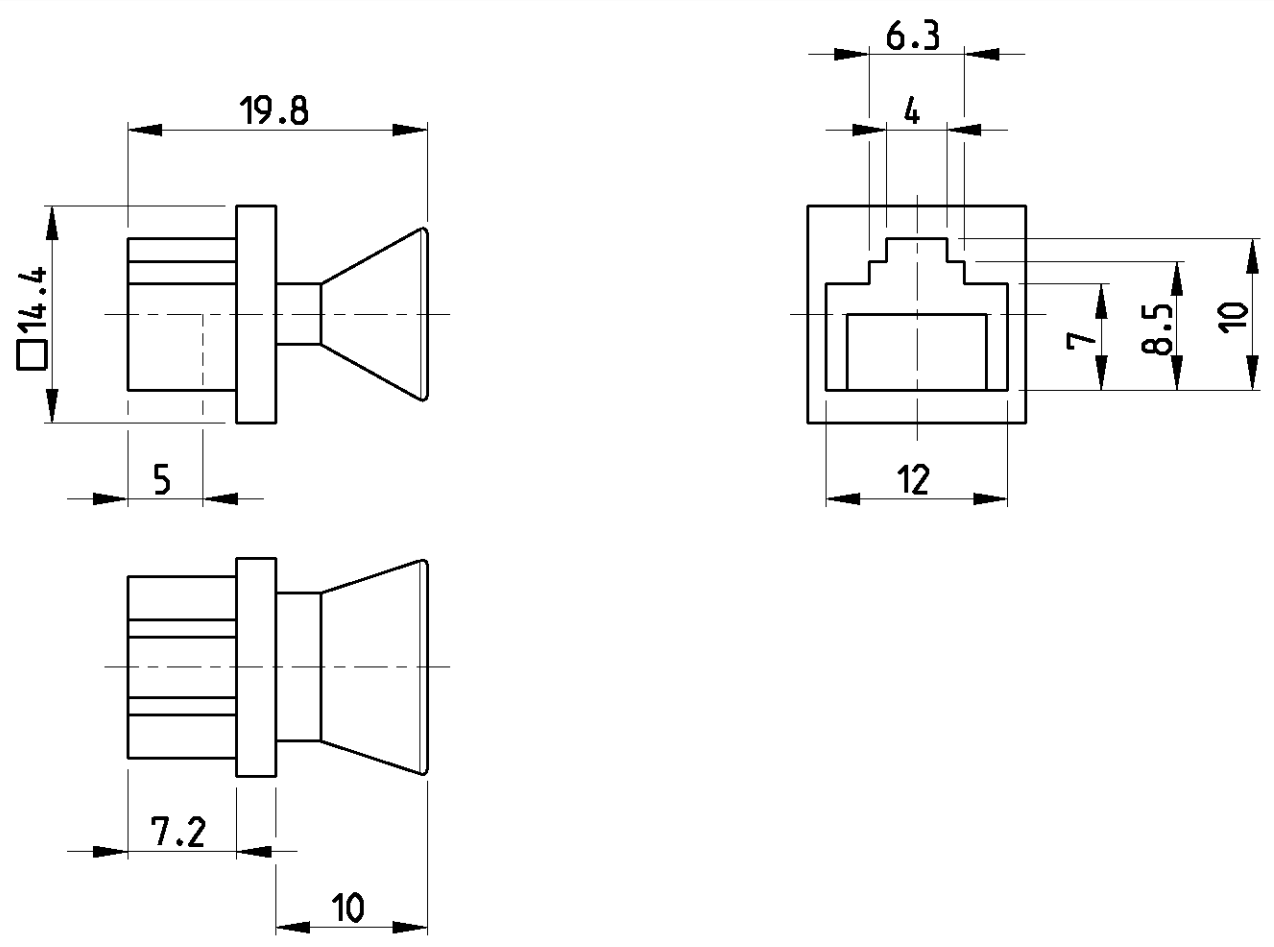
Email & Skype: info@chipsmall.com Web: www.chipsmall.com

Address: A1208, Overseas Decoration Building, #122 Zhenhua RD., Futian, Shenzhen, China



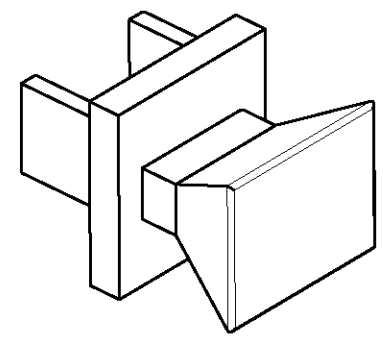
THIS DRAWING IS UNPUBLISHED
 VERTRAULICHE UNVERÖFFENTLICHTE ZEICHNUNG
 RELEASED FOR PUBLICATION
 FREI FÜR VERÖFFENTLICHUNG
 - 1996
 © COPYRIGHT 2007 BY TYCO ELECTRONICS CORPORATION. ALL RIGHTS RESERVED.
 ALLE RECHTE VORBEHALTEN

LOC	DIST	REVISIONS					
IK	2	P	LTR	DESCRIPTION	DATE	DWN	APVD
PROJECT NO.:		A3	ECOC CHANGE		11DEC 2007	RM	JS



PACKAGING UNIT:
 100PIECES PACKED INTO POLYBAG.
 PROVIDED WITH LABEL (SEE BELOW)
 LABEL PRINTED WITH TE-PN,
 REV. NO. AND DATE CODE.

VERPACKUNGSEINHEIT:
 100 STUECK IM KUNSTOFFBEUTEL VERPACKT.
 MIT AUFKLEBER VERSEHEN (SIEHE UNTEN).
 AUFKLEBER MIT TE-PN, REV. NR. UND
 DATUMS CODE BEDRUCKT.



AMP ORDER NO. BESTELL-NR.	POS.	QTY. STK.	DESCRIPTION BENENNUNG	SURFACE OBERFLAECHE COLOUR/FARBE	MATERIAL
969 556-7	-	1	DUST COVER STAUBSCHUTZKAPPE	WHITE WEISS	-
969 556-6	-	1	DUST COVER STAUBSCHUTZKAPPE	GREY GRAU	-
969 556-5	-	1	DUST COVER STAUBSCHUTZKAPPE	BLACK SCHWARZ	-
969 556-4	-	1	DUST COVER STAUBSCHUTZKAPPE	BLUE BLAU	-
969 556-3	-	1	DUST COVER STAUBSCHUTZKAPPE	GREEN GRUEN	-
969 556-2	-	1	DUST COVER STAUBSCHUTZKAPPE	YELLOW GELB	-
969 556-1	-	1	DUST COVER STAUBSCHUTZKAPPE	RED ROT	-

969 556-X
REV. XX
STAUBSCHUTZKAPPE
DUST COVER
100 STUECK/ PIECES
 XX/XX

THIS DRAWING IS A CONTROLLED DOCUMENT FOR TYCO ELECTRONICS CORPORATION IT IS SUBJECT TO CHANGE AND THE CONTROLLING ENGINEERING ORGANIZATION SHOULD BE CONTACTED FOR THE LATEST REVISION.
 DIESES ZEICHNUNGSDOKUMENT WIRD DURCH AMB KONTROLLIERT. ES IST SUBJECT TO CHANGE UND DIE CONTROLLING ENGINEERING ORGANIZATION SOLLTE FÜR DIE LETZTE REVISION KONTAKTIERT WERDEN.

DWN	R.MATEO	11DEC 2007	Tyco Electronics Tyco Electronics AMP España S.A. Barcelona, Spain
CHK	A.PUELL	12DEC 2007	
APVD	J.SANABRA	13DEC 2007	
PRODUCT SPEC	-		NAME
APPLICATION SPEC	-		DUST COVER STAUBSCHUTZKAPPE
WEIGHT	-		SIZE
CUSTOMER DRAWING	/KUNDENZEICHNUNG		SCALE
MATERIAL		FINISH	RESTRICTED TO
-		OBERFLAECHE/FARBE	MUR FÜR
-		-	REVISIONS
-		-	DESCRIPTION
-		-	DATE
-		-	DWN
-		-	APVD
-		-	REV