



Chipsmall Limited consists of a professional team with an average of over 10 year of expertise in the distribution of electronic components. Based in Hongkong, we have already established firm and mutual-benefit business relationships with customers from,Europe,America and south Asia,supplying obsolete and hard-to-find components to meet their specific needs.

With the principle of “Quality Parts,Customers Priority,Honest Operation,and Considerate Service”,our business mainly focus on the distribution of electronic components. Line cards we deal with include Microchip,ALPS,ROHM,Xilinx,Pulse,ON,Everlight and Freescale. Main products comprise IC,Modules,Potentiometer,IC Socket,Relay,Connector.Our parts cover such applications as commercial,industrial, and automotives areas.

We are looking forward to setting up business relationship with you and hope to provide you with the best service and solution. Let us make a better world for our industry!



Contact us

Tel: +86-755-8981 8866 Fax: +86-755-8427 6832

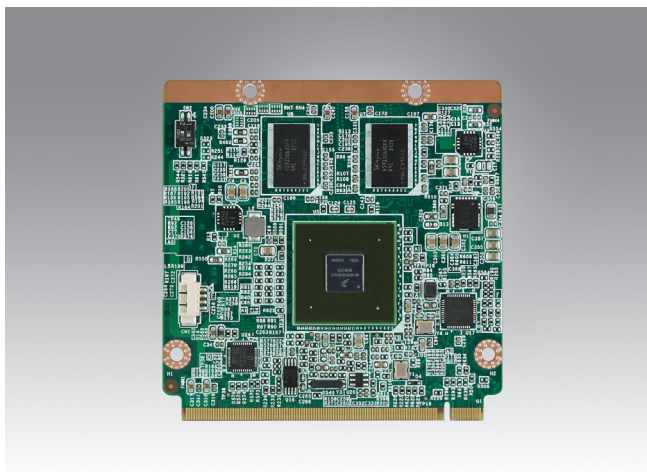
Email & Skype: info@chipsmall.com Web: www.chipsmall.com

Address: A1208, Overseas Decoration Building, #122 Zhenhua RD., Futian, Shenzhen, China



ROM-7420

NXP ARM® Cortex®-A9 i.MX6 Qseven Module



Introduction

ROM-7420 Qseven Module integrates an ARM Cortex-A9 NXP i.MX6 series ultra low power SoC and I/O solution chips with Linux. NXP i.MX6 supports 2D, 3D graphics acceleration, full HD 1080P video decoding and an HD 1080p video encoding hardware engine.

ROM-7420 offers an Advantech ROM-DB7500 Evaluation Carrier Board for easy integration and design reference; we also offer schematics and layout checklists for carrier board development. Additionally, Linux BSP, test utilities, HW design utilities, and reference codes are ready for application development and device integration.

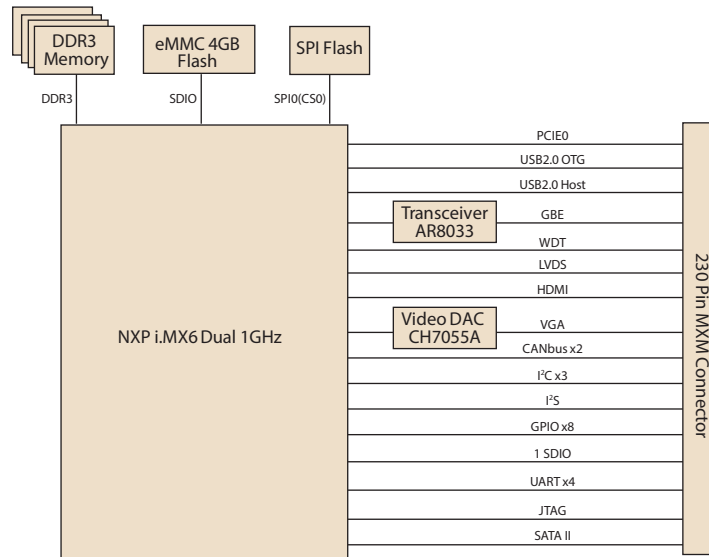
Specifications

Form Factor		Qseven 1.2
Processor System	CPU	NXP ARM Cortex-A9 i.MX6 1 GHz
	Technology	DDR3 1066 MHz
Memory	Capacity	On-board DDR3 1 GB
	Flash	4 GB eMMC NAND Flash for O.S. and 4 MB SPI NOR Flash for Advantech boot loader
Graphics	LVDS	2 24-bit LVDS, 1366 x 768 for 1ch; 1920 x 1080 for 2ch
	HDMI	1920 x 1080 at 60Hz
	Parallel RGB	-
	VGA	1920 x 1080 at 60Hz
	Graphics Engine	2 IPUs. OpenGL ES 2.0 for 3D, BitBlit for 2D and OpenVG 1.1
	H/W Video Codec	Decoder: MPEG-4 ASP, H.264 HP, H.263, MPEG-2 MP, MJPEG BP Encoder: MPEG-4 SP, H.264 BP, H.263, MJPEG BP
Ethernet	Chipset	NXP i.MX6 integrated RGMII
	Speed	1 x 10/100/1000 Mbps
RTC	RTC	Yes
WatchDog Timer		256-level timer interval, from 0 ~ 128 sec
I/O	PCIe	1 PCIe x 1
	SATA	1 SATA II
	USB	1 USB 2.0, 1 USB 2.0 OTG
	Audio	I ² S
	SPDIF	-
	SDIO	1
	Serial Port	4 UART (4 x 2 wire, w/ 3.3V)
	SPI	1
	CAN	2 x CAN bus 2.0B
	GPIO	8
	I ² C	3
	Camera Input	-
	System Bus	-
	Touch	-
	Keypad	-
Power	Power Supply Voltage	+5 V
	Power Consumption	3.16W (Max)
Environment	Operating Temperature	0 ~ 60 °C
	Operating Humidity	0% ~ 90% relative humidity, non-condensing
Mechanical	Dimensions (W x D)	70 x 70 mm
Operation System		Linux & Android
Certifications		CE/FCC Class B

Features

- NXP ARM® Cortex®-A9 i.MX6 Dual / Quad 1 GHz high performance processor
- Onboard DDR3 memory 1 GB and eMMC Flash 4 GB
- HDMI, VGA, LVDS, up to 4 displays
- Compact in size 70 x 70mm
- Rich I/O with 2 CAN, 4 UART, Giga LAN, PCIe and SATA
- Low power consumption, fanless design
- Supports Linux and Android BSP

Board Diagram



Ordering Information

Part No.	CPU	Memory	Flash Memory	UART	LAN	USB Host	USB OTG	Display	SATA	PCIe	HDMI	SD	CANbus	I²C	SPI	Size	Power Input	Operating Temperature
ROM-7420CQ-MEA1E	i.MX6 Quad 1 GHz	2GB	4GB	4	1	1	1	2 x 24bit LVDS 1 x VGA	1	1	1	1	2	3	1	70 x 70 x 5mm	5V	0 ~ 60 °C
ROM-7420WQ-MEA1E	i.MX6 Quad 1 GHz	2GB	4GB	4	1	1	1	2 x 24bit LVDS 1 x VGA	1	1	1	1	2	3	1	70 x 70 x 5mm	5V	-40 ~ 85 °C
ROM-7420CD-MDA1E	i.MX6 Dual 1 GHz	1 GB	4 GB	4	1	1	1	2 x 24-bit LVDS 1 x VGA	1	1	1	1	2	3	1	70 x 70 x 5mm	5V	0 ~ 60 °C
ROM-7420WD-MDA1E	i.MX6 Dual 1 GHz	1 GB	4 GB	4	1	1	1	2 x 24-bit LVDS 1 x VGA	1	1	1	1	2	3	1	70 x 70 x 5mm	5V	-40 ~ 85 °C
ROM-7420CS-MCA1E	i.MX6 Solo 1 GHz	512 MB	4 GB	4	1	1	1	LVDS or VGA	-	1	1	1	2	3	1	70 x 70 x 5mm	5V	0 ~ 60 °C

Development Board

Part No.	Description
ROM-DB7500-SCA1E	Development Board for Qseven v1.2 RISC Module

Optional Accessories

Part No.	Description
1700020442-01	Debug Port Cable for ROM-7420
9696ED2000E	Debug Port Adapter for ROM-7420
96PSA-A36W12R1	ADAPTER 100-240V 36W 12V 3A
1700001524	Power Cord 3P UL 10A 125V 180cm
170203183C	Power Code 3P Europe (WS-010+WS-083)183cm
170203180A	Power Cord 3P UK 2.5A/3A 250V 1.83M
1700008921	Power Cord 3P PSE 183cm
SQF-ISDS1-2G-86E	SQFlash SD card SLC 2G, 1CH (-40 ~ 85 °C)
EWM-W142F01E	802.11 b/g/n,AR9287,2T2R,Full size Mini PCIe
1750007050-01	WiFi RP-SMA short SMA Jack(9.5mm) to U.FL_100mm (WiFi Cable)
1750000318	EMI Antenna 2DBI 2.4GHz SMA CONN for ARK-3384 (WiFi Antenna)
EWM-C106FT01E	Cellular, HSUPA/WCDMA/GPRS,Full Mini PCIe
1750007156-01	Cellular/GPS SMA Short JACK(9.5MM) L=100mm (3G Cable)
1750005865	Antenna L=10.9cm 500hm AN8921F-5701SM (3G Antenna)
1960061913N001	Heat spreader O-NXP-S-5W 70x63x8-SC ROM-7420

Dimensions

