



Chipsmall Limited consists of a professional team with an average of over 10 year of expertise in the distribution of electronic components. Based in Hongkong, we have already established firm and mutual-benefit business relationships with customers from,Europe,America and south Asia,supplying obsolete and hard-to-find components to meet their specific needs.

With the principle of “Quality Parts,Customers Priority,Honest Operation,and Considerate Service”,our business mainly focus on the distribution of electronic components. Line cards we deal with include Microchip,ALPS,ROHM,Xilinx,Pulse,ON,Everlight and Freescale. Main products comprise IC,Modules,Potentiometer,IC Socket,Relay,Connector.Our parts cover such applications as commercial,industrial, and automotives areas.

We are looking forward to setting up business relationship with you and hope to provide you with the best service and solution. Let us make a better world for our industry!



Contact us

Tel: +86-755-8981 8866 Fax: +86-755-8427 6832

Email & Skype: info@chipsmall.com Web: www.chipsmall.com

Address: A1208, Overseas Decoration Building, #122 Zhenhua RD., Futian, Shenzhen, China

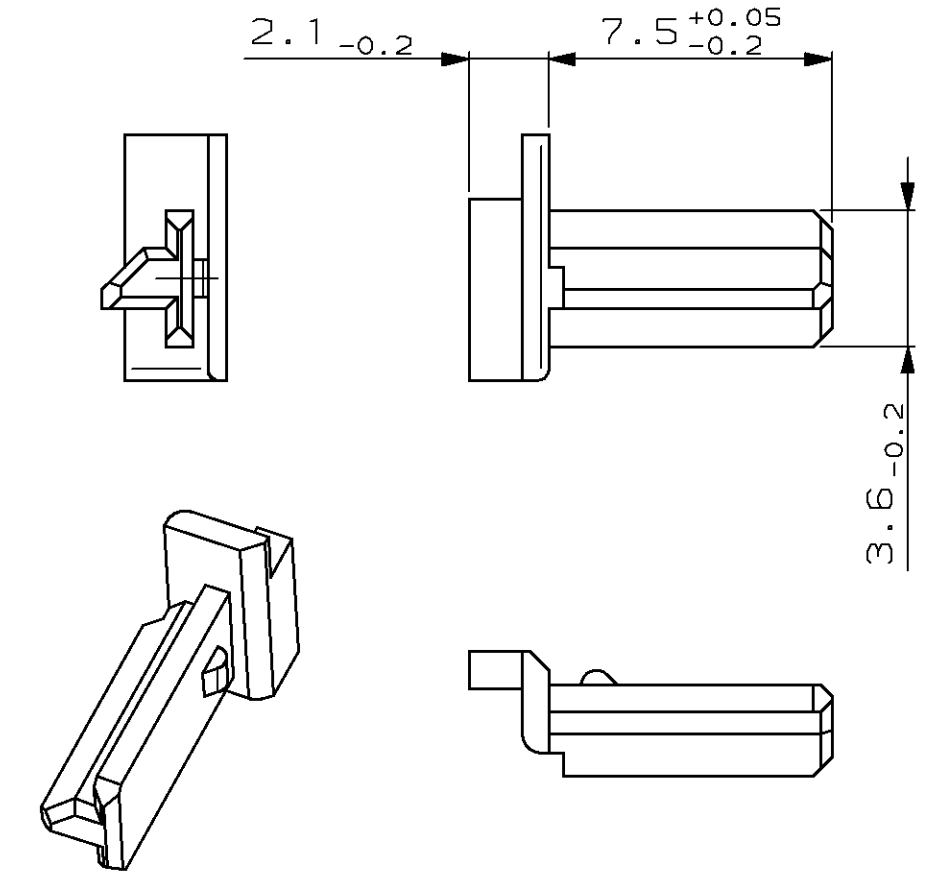
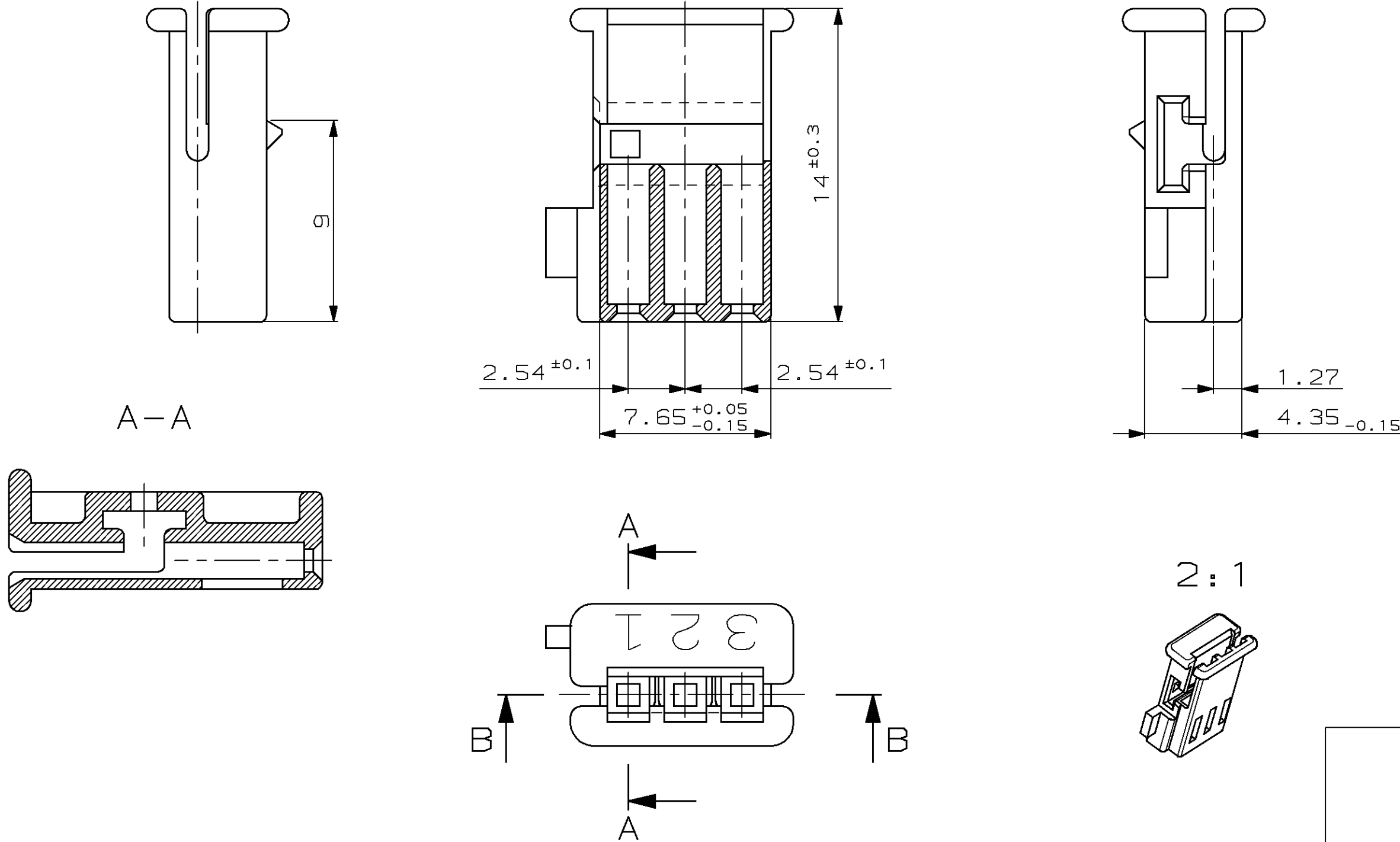


LOC	DTST	REVISIONS			
P	LTR	ÄNDERUNGEN	DATE	DWN	APVD
		DESCRIPTION			
		BESCHREIBUNG			
AI	-				
PROJEKT NR.:					
A97-52402		A	03-JUL-97	Sander	-
		A1	01-SEP-97	Sander	-
		A2	15-DEC-97	Schneider	-
		A3	24-MAR-98	Ueckern	-

Pos. 1

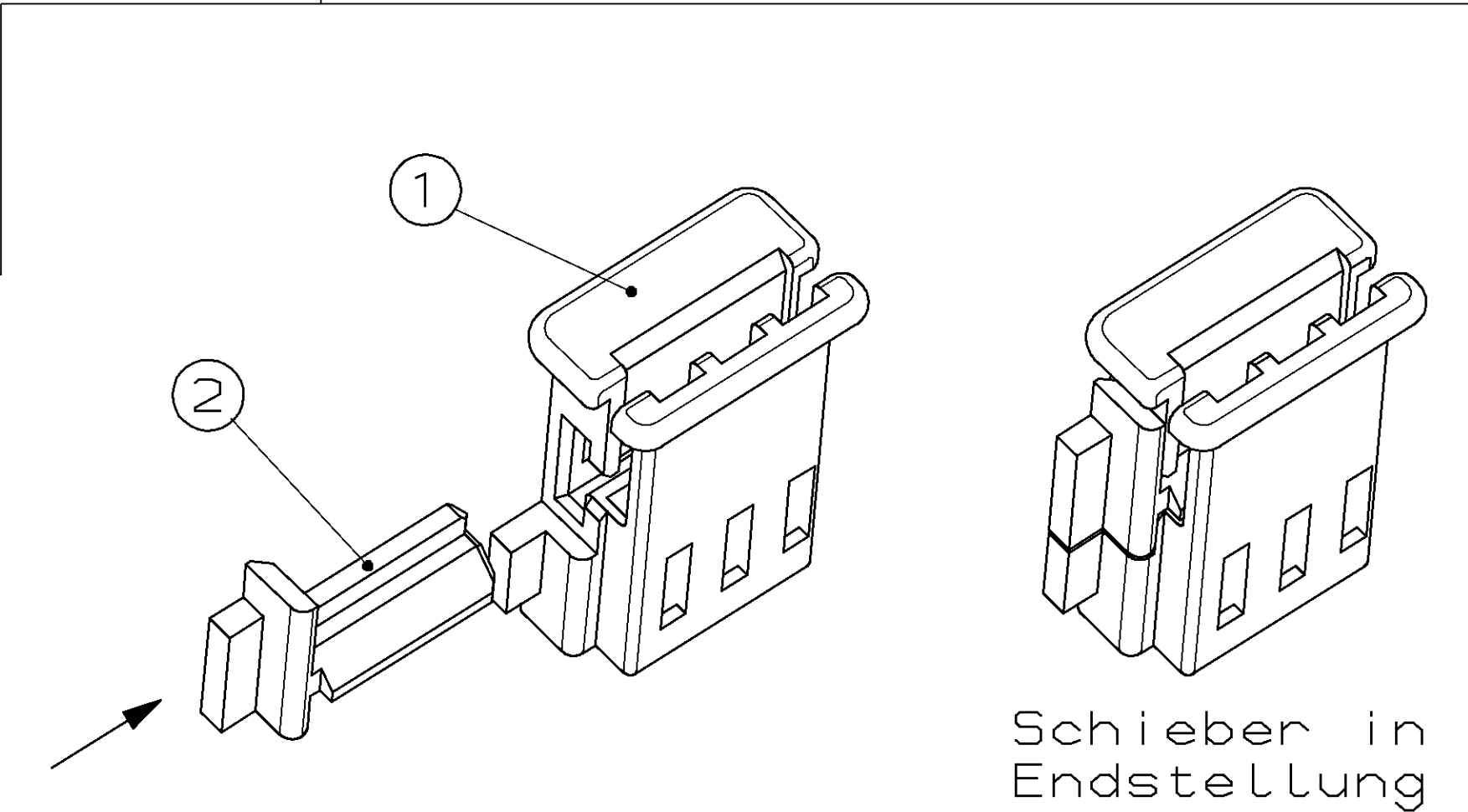
B-B

Pos. 2



NOTES
Bemerkungen

- STATE OF DELIVERY: RETAINER PACKED IN BAGS AND LAYED ON HOUSINGS (KIT)
Anlieferungszustand: Retainer verpackt in Beuteln und auf Gehäuse aufgelegt (KIT)
- FITS WITH 114-18216-001 / VW: 1J0 900 962 AQ (A1)
Passend zu
- SUITABLE FFC-CONTACT 487 117-8
Passender FFC-Kontakt
- FOR SUFFICIENT EXTRACTION FORCES ALWAYS 3 CONTACTS
HAVE TO BE TERMINATED TO THE FLEXIBLE FLAT CABLE
Um ausreichende Halte-/Ausreißkräfte zu erreichen, müssen
stets 3 Kontakte an das Flachleiterkabel angeschlagen werden



Nur für VW/AUDI

CUSTOMER PART NO	AMP KIT NO	REV.	AMP PART NO	REV.	MATERIAL	SURFACE COLOR	DESCRIPTION	
ZSB 1J0 035 447 C	969 778-4	A	969 369-4	A	PBT-GF	GRUEN	RETAINER	2
			969 368-1	A	PBT-GF	BLACK	HOUSING	1
ZSB 1J0 035 447 B	969 778-3	A	969 369-3	A	PBT-GF	WEIß	RETAINER	2
			969 368-1	A	PBT-GF	BLACK	HOUSING	1
ZSB 1J0 035 447 A	969 778-2	A	969 369-2	A	PBT-GF	GELB	RETAINER	2
			969 368-1	A	PBT-GF	BLACK	HOUSING	1
ZSB 1J0 035 447	969 778-1	A	969 369-1	A	PBT-GF	VIOLET	RETAINER	2
			969 368-1	A	PBT-GF	BLACK	HOUSING	1

<small>THIS DRAWING IS A CONTROLLED DOCUMENT FOR AMP INCORPORATED. IT IS SUBJECT TO CHANGE AND THE CONTROLLING ENGINEERING ORGANIZATION SHOULD BE CONTACTED FOR THE LATEST REVISION. DIESES ZEICHNUNGSDOCUMENT WIRD DURCH AMP INCORPORATED KONTROLLIERT. ÄNDERUNGEN, DIE DICH TECHNISCHEN FORTSCHRITT DISENEN, SIND VORBEHALTEN. DICH JEDWELLS LETZTBESTÄNDIGEN ANWENDUNGSSTAND BEFOLGEN SIE AUF ANFRAGE.</small>		DWN C. Sander 18.07.97	03.07.97	AMP AMP Deutschland GmbH D - 63225 Langen
DIMENSIONS: DIMENSIONEN: mm TOLERANCES UNLESS OTHERWISE SPECIFIED: ALLGEMEINTOLERANZEN n. DIN 16901 - 140		CHK R. Forell 16.07.97	18.07.97	
MATERIAL FINISH / OBERFLÄCHE / FARBE		APVD S. Glaser 18.07.97	NAME	HOUSING + RETAINER (KIT) Gehäuse + Retainer (KIT)
ANGLES / WINKEL ± 3° FINISH / OBERFLÄCHE / FARBE		APPLICATION SPEC VERARBEITUNGSSPEZ.	PRODUCT SPEC PRODUKTSPEZ.	
		WEIGHT GEWICHT	RESTRICTED TO NUR FÜR	SIZE A2
		CUSTOMER DRAWING / KUNDENZEICHNUNG	MASSSTAB 5:1	DRAWING NO. ZEICHNUNGS-NR. C-969778
			BLATT 1 OF 1	REV A3