



Chipsmall Limited consists of a professional team with an average of over 10 year of expertise in the distribution of electronic components. Based in Hongkong, we have already established firm and mutual-benefit business relationships with customers from,Europe,America and south Asia,supplying obsolete and hard-to-find components to meet their specific needs.

With the principle of “Quality Parts,Customers Priority,Honest Operation,and Considerate Service”,our business mainly focus on the distribution of electronic components. Line cards we deal with include Microchip,ALPS,ROHM,Xilinx,Pulse,ON,Everlight and Freescale. Main products comprise IC,Modules,Potentiometer,IC Socket,Relay,Connector.Our parts cover such applications as commercial,industrial, and automotives areas.

We are looking forward to setting up business relationship with you and hope to provide you with the best service and solution. Let us make a better world for our industry!



Contact us

Tel: +86-755-8981 8866 Fax: +86-755-8427 6832

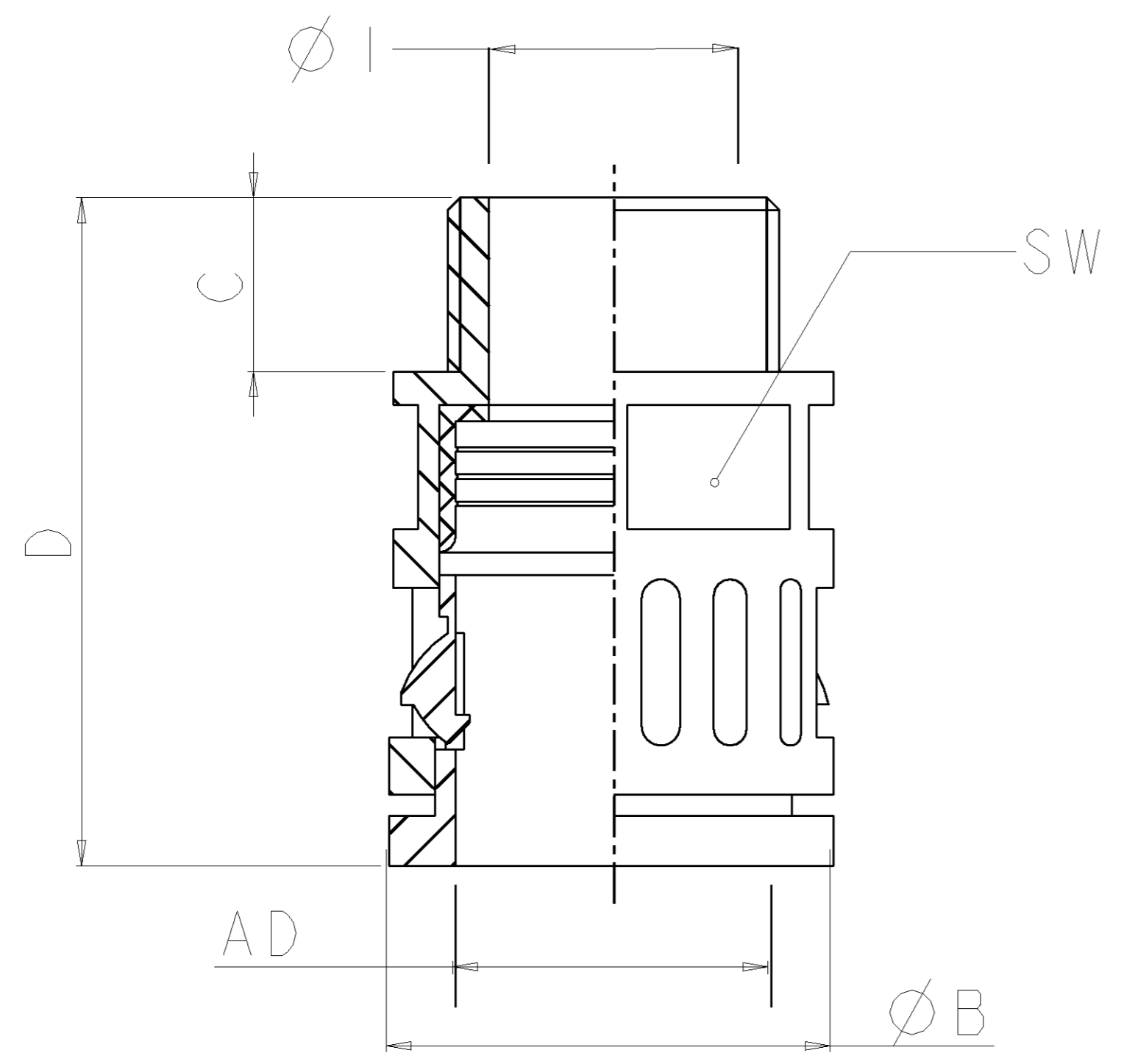
Email & Skype: info@chipsmall.com Web: www.chipsmall.com

Address: A1208, Overseas Decoration Building, #122 Zhenhua RD., Futian, Shenzhen, China



THIS DRAWING IS UNPUBLISHED. VERTRAULICHE UNVERÖFFENTLICHTE ZEICHNUNG. RELEASED FOR PUBLICATION FREI FUER VERÖFFENTLICHUNG. 04.OCT 98. MATED WITH: PASSEND ZU: BY TYCO ELECTRONICS CORPORATION. ALL RIGHTS RESERVED. ALLE RECHTE VORBEHALTEN. COPYRIGHT

LOC	DIST	REVISIONS					
		P	LTR	DESCRIPTION	DATE	DWN	APVD
FT							
PROJEKT NR.: E97-52579		A		New Drawing	21AUG97	K.L.	G.F.
		AI		TOLERANCE CHANGED	15JUN98	K.L.	G.F.
		B		REVISED PER 063B-0674-00	20MAR2002	EZ	SH



B

A

- ① Material: PA
- ② Color: black
- ③ Unscaled
- ④ DIN 16901-140

- ① Material: PA
- ② Farbe: schwarz
- ③ Unmassstäeblich
- ④ DIN 16901-140

AMP #	TRADE SIZE	THREAD	LENGHT OF THREAD	SMALLEST INNER-Ø	LARGEST OUTER-Ø	TOTAL LENGHT	Hex Width	Packaging Unit	approx. Weight
	Nenn-groesse	Gewinde	Gewinde-laenge	kleinster Innen-Ø	groesster Aussen-Ø	Gesamt-laenge	SchluesSEL-weite	Packungs-groesse	Gewicht
	mm	PG DIN 40430	mm	mm	mm	mm	mm	Stueck Pieces	kg/100p
	AD		C	Ø I	Ø B	D	SW		⑤
969803-1	10	7	10	7	17	32.5	15.5	50	0.35
969803-2	13	9	10	10	20	35	18	50	0.45
969803-3	15.8	11	10	12.5	23	37	21	50	0.6
969803-4	21.2	16	12	17	29.5	43.5	27	50	1
969803-5	28.5	21	12	23.5	37	46	34	25	1.5
969803-6	34.5	29	12	30.5	44	48	40	25	2.2
969803-7	42.5	36	12	36.5	52	50.5	49	25	3.1
969803-8	54.5	48	15	48.5	64	54	60	10	4.5
969803.9	18.5	13.5	11	13.5	25.5	40	24	50	0.8

B

A

THIS DRAWING IS A CONTROLLED DOCUMENT FOR TYCO ELECTRONICS CORPORATION IT IS SUBJECT TO CHANGE AND THE CONTROLLING ENGINEERING ORGANIZATION SHOULD BE CONTACTED FOR THE LATEST REVISION. DIESSES ZEICHNUNGSDOKUMENT WIRD DURCH AMP INCORPORATED KONTROLLIERT. AENDERUNGEN, DIE DEN TECHNISCHEN FORTSCHRITT DIESER, SIND VORBEHALTEN. DEN JEWEILS LETZTGEFALLEN AENDERUNGSSTAND ERFAHREN SIE AUF ANFRAGE.

DIMENSIONS: MASSE IN HEITEN: mm	TOLERANCES UNLESS OTHERWISE SPECIFIED: ALLGEMEIN TOLERANZEN	DWN: K. LAMBERT 21AUG97	NAME: AMP Deutschland GmbH
		CHK: W. BOECK 21AUG97	D - 63225 Langen
		APVD: G. FELDMELER 21AUG97	ROG -P BLACK
		PRODUCT SPEC: 108-1696-1	STRAIGHT CONNECTION CORRUGATED TUBING
		APPLICATION SPEC: 114-18277	GERADE VERSCHRAUBUNG F. WELLSCHLAUCH
MATERIAL: ①	FINISH/OBERFLAECHE/FARBE: ②	WEIGHT: ⑤	RESTRICTED TO NUR FUER
		CUSTOMER DRAWING / KUNDENZEICHNUNG	SCALE: MASSSTAB ③
			SHEET: 3 OF 1
			REV: B