



Chipsmall Limited consists of a professional team with an average of over 10 year of expertise in the distribution of electronic components. Based in Hongkong, we have already established firm and mutual-benefit business relationships with customers from,Europe,America and south Asia,supplying obsolete and hard-to-find components to meet their specific needs.

With the principle of “Quality Parts,Customers Priority,Honest Operation,and Considerate Service”,our business mainly focus on the distribution of electronic components. Line cards we deal with include Microchip,ALPS,ROHM,Xilinx,Pulse,ON,Everlight and Freescale. Main products comprise IC,Modules,Potentiometer,IC Socket,Relay,Connector.Our parts cover such applications as commercial,industrial, and automotives areas.

We are looking forward to setting up business relationship with you and hope to provide you with the best service and solution. Let us make a better world for our industry!



Contact us

Tel: +86-755-8981 8866 Fax: +86-755-8427 6832

Email & Skype: info@chipsmall.com Web: www.chipsmall.com

Address: A1208, Overseas Decoration Building, #122 Zhenhua RD., Futian, Shenzhen, China



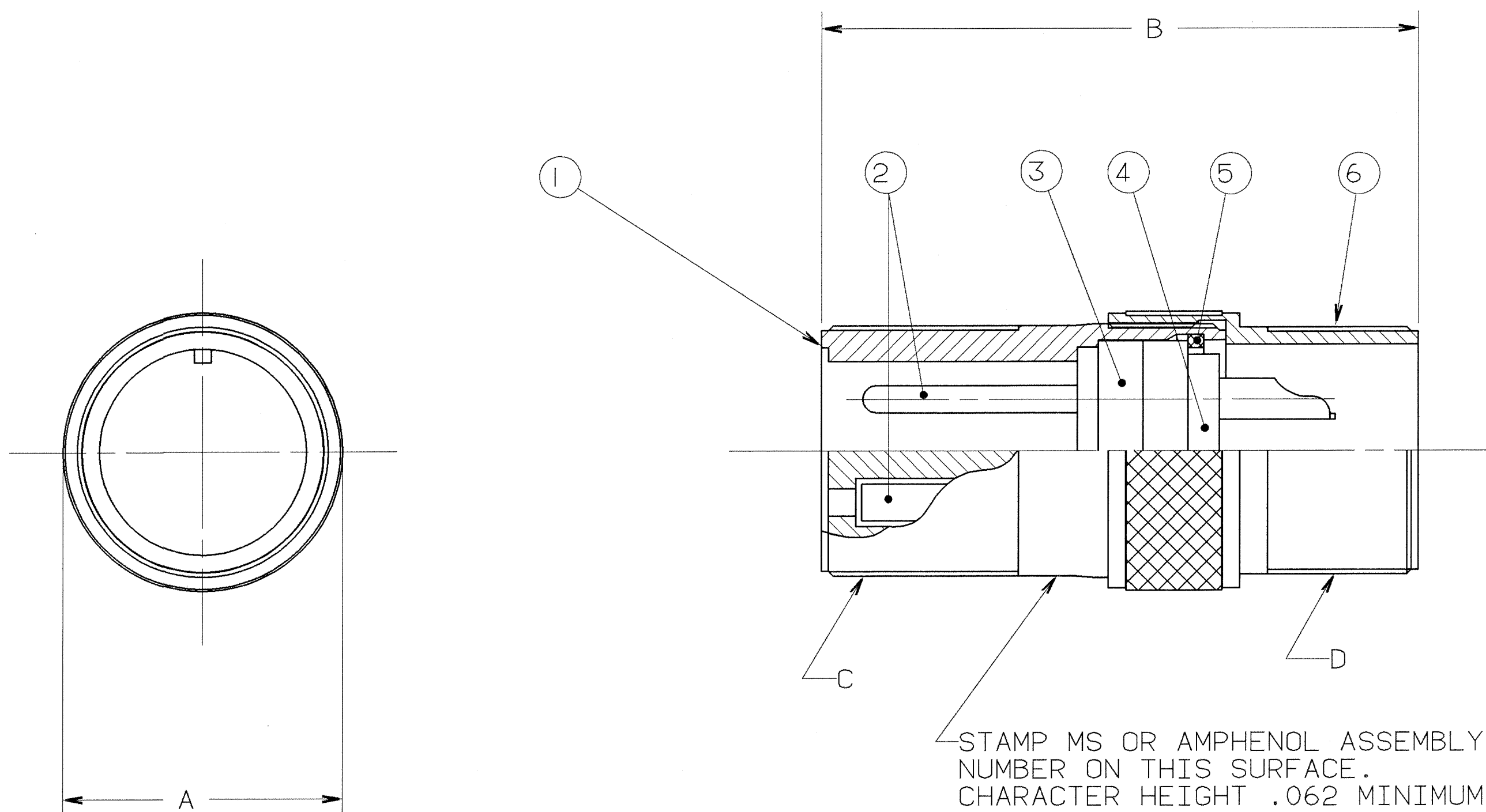
4

3

2

1

REVISIONS				
ZONE	LTR	DESCRIPTION	DATE	APPROVED
	C	(CLII) ADDED NOTE 7 ECN:22391	08/29/89 BURNSIDE	m.n. J.B.



STAMP MS OR AMPHENOL ASSEMBLY (2) (6)
NUMBER ON THIS SURFACE.
CHARACTER HEIGHT .062 MINIMUM.

FIND NO.	QTY REQD.	FSCM NO.	PART NUMBER	DESCRIPTION	NOTE REF.
6	SEE NOTE		SEE NOTE 1	BACK SHELL	
5				RING, RETAINING	
4				INSERT, REAR	
3				INSERT, FRONT	
2				CONTACTS	
1				SHELL	

UNLESS OTHERWISE SPECIFIED
LINEAR DIMENSIONS ARE IN
INCHES.
TOLERANCES: .XXX±.010,
.XX ±.03, .X ±.1,
ANGLES ±2°.
OTHER STANDARDS PER 9-3800
AND DOD-D-1000.
NOTE REF. = (XX)

PARTS LIST					
SPECIFICATIONS	SIGNATURES	DATES	AMPHENOL CORPORATION BENDIX CONNECTOR OPERATIONS SIDNEY, N.Y.		
MATERIAL SPEC. N/A	PREPARED A. PRESCOTT CHECKED PHILPOTT MATERIAL	11/6/87 11/17/87	CONNECTOR, ELECTRICAL PLUG, TYPE 97-3101A, OLIVE DRAB CADMIUM PLATED		
PROCESS SPEC. 9-2437-33	APPROVED BERNHARDT APPROVED HAYNER 1ST PART NO.	11/17/87 11/17/87	SIZE C 77820	FSCM NO. 10-820020/039	REV. C
			SCALE NONE	WT.	REF N/A
					SHEET 1 OF 2

SEE SHEET 2.
NOTES:

THE USE OF THIS DOCUMENT IS UNLIMITED.
HOWEVER, DOCUMENTS REFERENCED HEREON
MAY CONTAIN LIMITED RIGHTS DATA.

N/A
N/A
NEXT ASSEMBLY

97-3101A

8/29/89 16:19 * 89241 14.46 * PRELISE * 10-820020/039 0001

9/23/89 16:19 * 89241 14 51 * PRELISE * 10-820020/039 0002

4

3

2

1

BENDIX ASSEMBLY NUMBER	AMPHENOL ASSEMBLY NUMBER	MS ASSEMBLY NUMBER	A DIA.	B	C THREAD	G THREAD
10-820020-()	97-3101A- 8S -()	MS3101A- 8S -()	.531	1.250	.5000-28 UNEF-2A	.5000-28 UNEF-2A
10-820021-()	-10S -()	-10S -()	.625	1.312	.6250-24 UNEF-2A	.5000-28 UNEF-2A
10-820022-()	-10SL-()	-10SL-()	.784	1.457	.6250-24 UNEF-2A	.6250-24 UNEF-2A
10-820023-()	-12S -()	-12S -()	.784	1.457	.7500-20 UNEF-2A	.6250-24 UNEF-2A
10-820024-()	-12SL-()	-12SL-()	NOT AVAILABLE			
10-820025-()	-12 -()	-12 -()	.784	1.844	.7500-20 UNEF-2A	.6250-24 UNEF-2A
10-820026-()	-14S -()	-14S -()	.875	1.438	.8750-20 UNEF-2A	.7500-20 UNEF-2A
10-820027-()	-14 -()	-14 -()	.875	1.844	.8750-20 UNEF-2A	.7500-20 UNEF-2A
10-820028-()	-16S -()	-16S -()	1.000	1.484	1.0000-20 UNEF-2A	.8750-20 UNEF-2A
10-820029-()	-16 -()	-16 -()	1.000	1.891	1.0000-20 UNEF-2A	.8750-20 UNEF-2A
10-820030-()	-18 -()	-18 -()	1.125	2.000	1.1250-18 UNEF-2A	1.0000-20 UNEF-2A
10-820031-()	-20 -()	-20 -()	1.250	2.125	1.2500-18 UNEF-2A	1.1875-18 UNEF-2A
10-820032-()	-22 -()	-22 -()	1.375	2.125	1.3750-18 UNEF-2A	1.1875-18 UNEF-2A
10-820033-()	-24 -()	-24 -()	1.500	2.250	1.5000-18 UNEF-2A	1.4375-18 UNEF-2A
10-820034-()	-28 -()	-28 -()	1.750	2.250	1.7500-18 UNEF-2A	1.4375-18 UNEF-2A
10-820035-()	-32 -()	-32 -()	2.031	2.375	2.0000-18 UNEF-2A	1.7500-18 UNEF-2A
10-820036-()	-36 -()	-36 -()	2.250	2.375	2.2500-16 UN-2A	2.0000-18 UNEF-2A
10-820037-()	-40 -()	-40 -()	2.750	2.375	2.5000-16 UN-2A	2.2500-16 UN-2A
10-820038-()	-44 -()	-44 -()	NOT AVAILABLE			
10-820039-()	-48 -()	-48 -()	NOT AVAILABLE			

D

D

C

C

B

97-3101A

B

A

A

TO COMPLETE, ADD APPLICABLE INSERT ARRANGEMENT SUFFIX PER 9-2437-33.

6

7. IDENTIFY PACKAGE WITH APPLICABLE MS OR 97- PART NUMBER PER NOTE 6.
6. FOR BENDIX INSERT ARRANGEMENT SUFFIX -1 THROUGH -49, STAMP MS ASSEMBLY NUMBER. FOR BENDIX INSERT ARRANGEMENT SUFFIX -50 THROUGH -99, AND -AA THROUGH -BC, STAMP AMPHENOL ASSEMBLY NUMBER.
5. FOR CONTACT ARRANGEMENT, SEE MIL-STD-1651 AND L-22208-() THROUGH L-22248-().
4. PACKAGE PER PRODUCTION PROCESS SHEET.
3. UNITS MEET THE APPLICABLE REQUIREMENTS OF MIL-C-5015.
2. SEE WORK ORDER FOR PERMISSIBLE ADDITIONAL OR ALTERNATE STAMPING.
1. SEE SEPARATE PARTS LIST FOR COMPONENT PART NUMBERS AND QUANTITIES.

NOTES:

THE USE OF THIS DOCUMENT IS UNLIMITED. HOWEVER, DOCUMENTS REFERENCED HEREON MAY CONTAIN LIMITED RIGHTS DATA.

COMPUTER GENERATED DRAWING

SIZE	FSCM NO.	REV.
C	77820	10-820020/039
SCALE	WT.	REF.
		SHEET 2

TAB.