



Chipsmall Limited consists of a professional team with an average of over 10 year of expertise in the distribution of electronic components. Based in Hongkong, we have already established firm and mutual-benefit business relationships with customers from,Europe,America and south Asia,supplying obsolete and hard-to-find components to meet their specific needs.

With the principle of “Quality Parts,Customers Priority,Honest Operation,and Considerate Service”,our business mainly focus on the distribution of electronic components. Line cards we deal with include Microchip,ALPS,ROHM,Xilinx,Pulse,ON,Everlight and Freescale. Main products comprise IC,Modules,Potentiometer,IC Socket,Relay,Connector.Our parts cover such applications as commercial,industrial, and automotives areas.

We are looking forward to setting up business relationship with you and hope to provide you with the best service and solution. Let us make a better world for our industry!



Contact us

Tel: +86-755-8981 8866 Fax: +86-755-8427 6832

Email & Skype: info@chipsmall.com Web: www.chipsmall.com

Address: A1208, Overseas Decoration Building, #122 Zhenhua RD., Futian, Shenzhen, China



8/29/89 16:23 * 99241 15:52 * PRELISE * 10-820100/119 0001

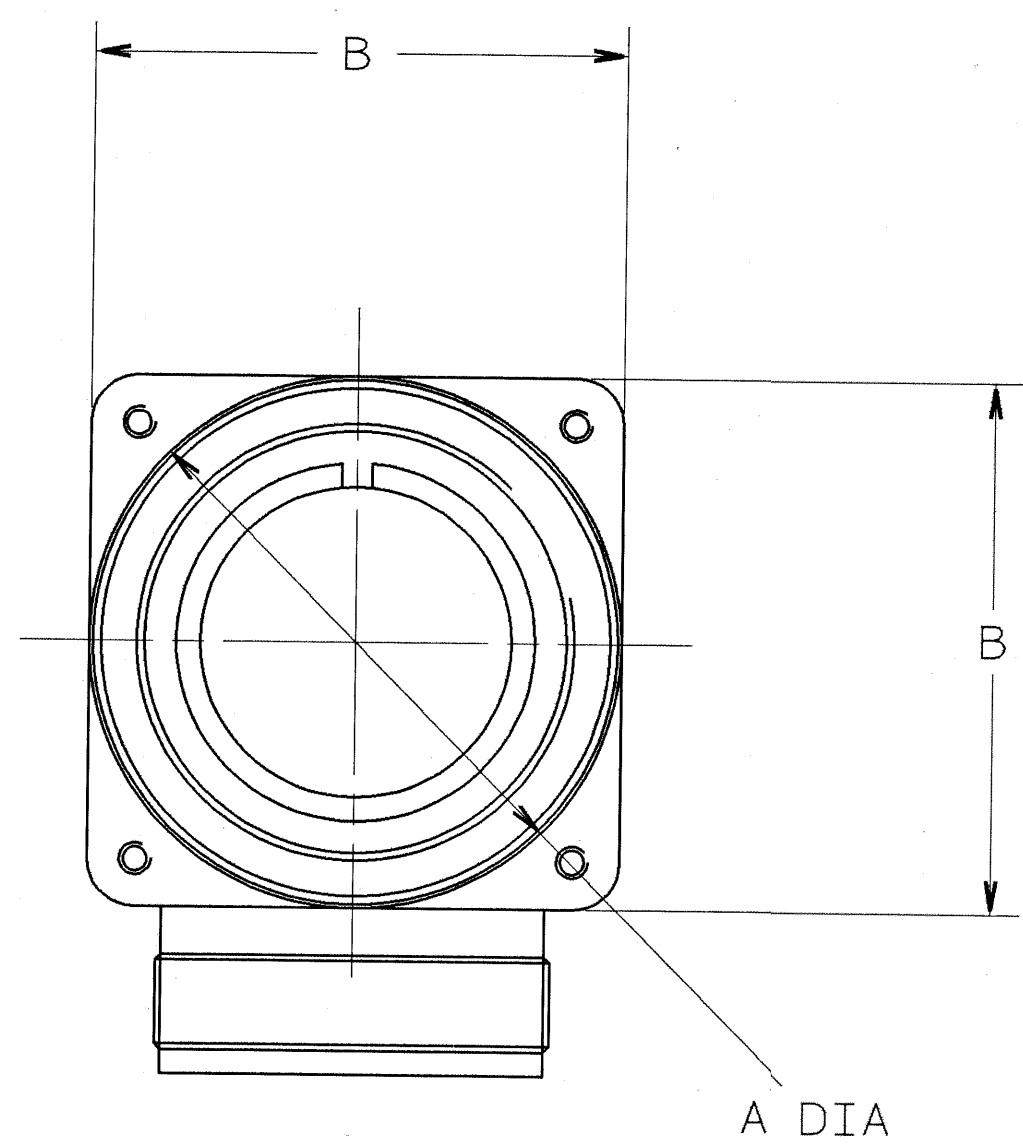
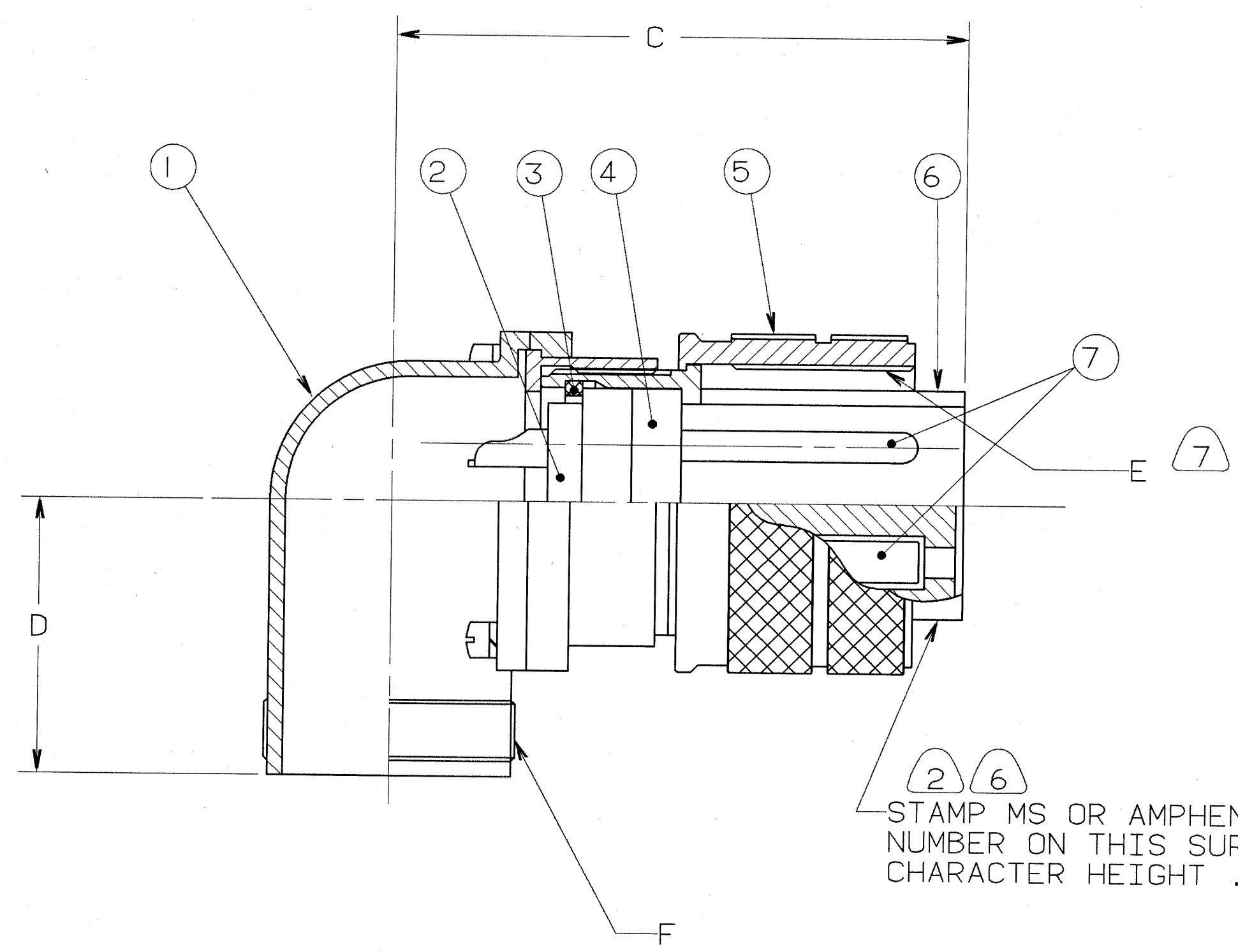
4

3

2

1

REVISIONS				
ZONE	LTR	DESCRIPTION	DATE	APPROVED
	C	(CLII) ADDED NOTE 8 ECN: 22391	08/29/89 BURNSIDE	m.n. J.B.
	D	(CLII) CHANGE BLOCK CHANGE ONLY WAS SHELL 10-617702-XX3 (NO SLOT) ECN: 90048	11-18-04 DEMATTEO	ged



STAMP MS OR AMPHENOL ASSEMBLY NUMBER ON THIS SURFACE. CHARACTER HEIGHT .062 MINIMUM.

SEE SHEET 2.
NOTES:

THE USE OF THIS DOCUMENT IS UNLIMITED. HOWEVER, DOCUMENTS REFERENCED HEREON MAY CONTAIN LIMITED RIGHTS DATA.

UNLESS OTHERWISE SPECIFIED LINEAR DIMENSIONS ARE IN INCHES.
TOLERANCES: .XXX±.010,
.XX ±.03, .X ±.1,
ANGLES ±2°.
OTHER STANDARDS PER 9-3800 AND DOD-D-1000.
NOTE REF. =

FIND NO.	QTY REQD.	FSCM NO.	PART NUMBER	DESCRIPTION	NOTE REF.
7	SEE NOTE		SEE NOTE 1	CONTACTS	
6				SHELL	
5				RING, COUPLING	7
4				INSERT, FRONT	
3				RING, RETAINING	
2				INSERT, REAR	
1				HOUSING ASSEMBLY	

SPECIFICATIONS		SIGNATURES		DATES		PARTS LIST			
MATERIAL SPEC.	N/A	PREPARED	A. PRESCOTT	11/03/87	AMPHENOL CORPORATION BENDIX CONNECTOR OPERATIONS SIDNEY, N.Y.				
PROCESS SPEC.	9-2437-33	CHECKED	PHILPOTT	11/12/87	CONNECTOR, ELECTRICAL PLUG, TYPE 97-3108A, OLIVE DRAB CADMIUM PLATE.				
		APPROVED	BERNHARDT	11/13/87	SIZE	FSCM NO.	10-820100/119	REV.	D
		APPROVED	HAYNER	11/17/87	C	77820			
		1ST PART NO.	10-820102-03S		SCALE	NONE	WT.	REF	N/A
								SHEET	1 OF 2

COMPUTER GENERATED DRAWING.

000000001 01250

TAB.

97-3108A

8/29/99 16:23 * 89241 15:23 * PRELISE * 10-820100/119 0002

D

C

B

A

D

C

B

A

4		3				2		1
BENDIX ASSEMBLY NUMBER	AMPHENOL ASSEMBLY NUMBER	MS ASSEMBLY NUMBER	A DIA.	B	C	D	E THREAD	F THREAD
10-820100-()	97-3108A- 8S -()	MS3108A- 8S -()	.750	.781	1.250	.875	.5000-28 UNEF-2B	.5000-28 UNEF-2A
1-()	-10S -()	-10S -()	.875	.781	1.250	.875	.6250-24 UNEF-2B	.5000-28 UNEF-2A
2-()	-10SL-()	-10SL-()	.875	1.063	1.312	1.000	.6250-24 UNEF-2B	.6250-24 UNEF-2A
3-()	-12S -()	-12S -()	1.000	1.063	1.375	1.000	.7500-20 UNEF-2B	.6250-24 UNEF-2A
4-()	-12SL-()	-12SL-()	1.000	1.063	1.375	1.000	.7500-20 UNEF-2B	.7500-20 UNEF-2A
5-()	-12 -()	-12 -()	1.000	1.063	1.203	1.000	.7500-20 UNEF-2B	.6250-24 UNEF-2A
6-()	-14S -()	-14S -()	1.125	1.063	1.375	1.000	.8750-20 UNEF-2B	.7500-20 UNEF-2A
7-()	-14 -()	-14 -()	1.125	1.063	1.812	1.000	.8750-20 UNEF-2B	.7500-20 UNEF-2A
8-()	-16S -()	-16S -()	1.250	1.312	1.500	1.125	.8750-20 UNEF-2B	.7500-20 UNEF-2A
9-()	-16 -()	-16 -()	1.250	1.312	1.938	1.125	1.0000-20 UNEF-2B	.8750-20 UNEF-2A
10-820110-()	-18 -()	-18 -()	1.344	1.312	1.938	1.125	1.1250-18 UNEF-2B	1.0000-20 UNEF-2A
1-()	-20 -()	-20 -()	1.469	1.625	2.063	1.312	1.2500-18 UNEF-2B	1.1875-18 UNEF-2A
2-()	-22 -()	-22 -()	1.594	1.625	2.063	1.312	1.3750-18 UNEF-2B	1.1875-18 UNEF-2A
3-()	-24 -()	-24 -()	1.719	2.000	2.469	1.500	1.5000-18 UNEF-2B	1.4375-18 UNEF-2A
4-()	-28 -()	-28 -()	1.969	2.000	2.469	1.500	1.7500-18 UNEF-2B	1.4375-18 UNEF-2A
5-()	-32 -()	-32 -()	NOT AVAILABLE					
6-()	-36 -()	-36 -()	NOT AVAILABLE					
7-()	-40 -()	-40 -()	NOT AVAILABLE					
8-()	-44 -()	-44 -()	NOT AVAILABLE					
9-()	-48 -()	-48 -()	NOT AVAILABLE					

TO COMPLETE, ADD APPLICABLE INSERT ARRANGEMENT SUFFIX PER 9-2437-33. 6

8. IDENTIFY PACKAGE WITH APPLICABLE MS OR 97- PART NUMBER PER NOTE 6.
7. APPLY LUBRICANT 9-7568 TO THREADS OF COUPLING RING.
6. FOR BENDIX INSERT ARRANGEMENT SUFFIX -1 THROUGH -49, STAMP MS ASSEMBLY NUMBER. FOR BENDIX INSERT ARRANGEMENT SUFFIX -50 THROUGH -99, AND -AA THROUGH -BC, STAMP AMPHENOL ASSEMBLY NUMBER.
5. FOR CONTACT ARRANGEMENT, SEE MIL-STD-1651 AND L-22208-() THROUGH L-22248-().
4. PACKAGE PER PRODUCTION PROCESS SHEET.
3. UNITS MEET THE APPLICABLE REQUIREMENTS OF MIL-C-5015.
2. SEE WORK ORDER FOR PERMISSIBLE ADDITIONAL OR ALTERNATE STAMPING.
1. SEE SEPARATE PARTS LIST FOR COMPONENT PART NUMBERS AND QUANTITIES.

NOTES:

THE USE OF THIS DOCUMENT IS UNLIMITED. HOWEVER, DOCUMENTS REFERENCED HEREON MAY CONTAIN LIMITED RIGHTS DATA.

COMPUTER GENERATED DRAWING

IMAGED Nov 22 2004 02:49 PM

SIZE	FSCM NO.	REV.
C	77820	D
SCALE	WT.	REF.
SHEET		2

97-3108A

TAB.