



Chipsmall Limited consists of a professional team with an average of over 10 year of expertise in the distribution of electronic components. Based in Hongkong, we have already established firm and mutual-benefit business relationships with customers from,Europe,America and south Asia,supplying obsolete and hard-to-find components to meet their specific needs.

With the principle of “Quality Parts,Customers Priority,Honest Operation,and Considerate Service”,our business mainly focus on the distribution of electronic components. Line cards we deal with include Microchip,ALPS,ROHM,Xilinx,Pulse,ON,Everlight and Freescale. Main products comprise IC,Modules,Potentiometer,IC Socket,Relay,Connector.Our parts cover such applications as commercial,industrial, and automotives areas.

We are looking forward to setting up business relationship with you and hope to provide you with the best service and solution. Let us make a better world for our industry!



Contact us

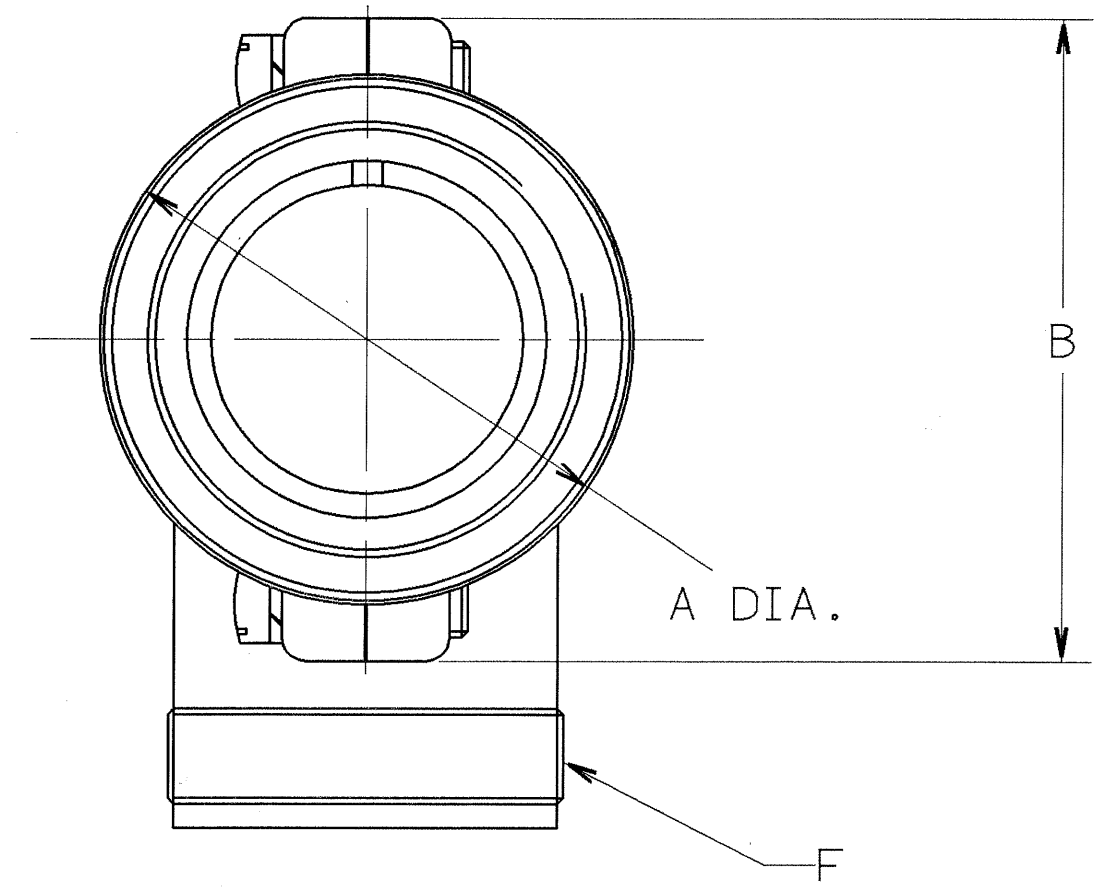
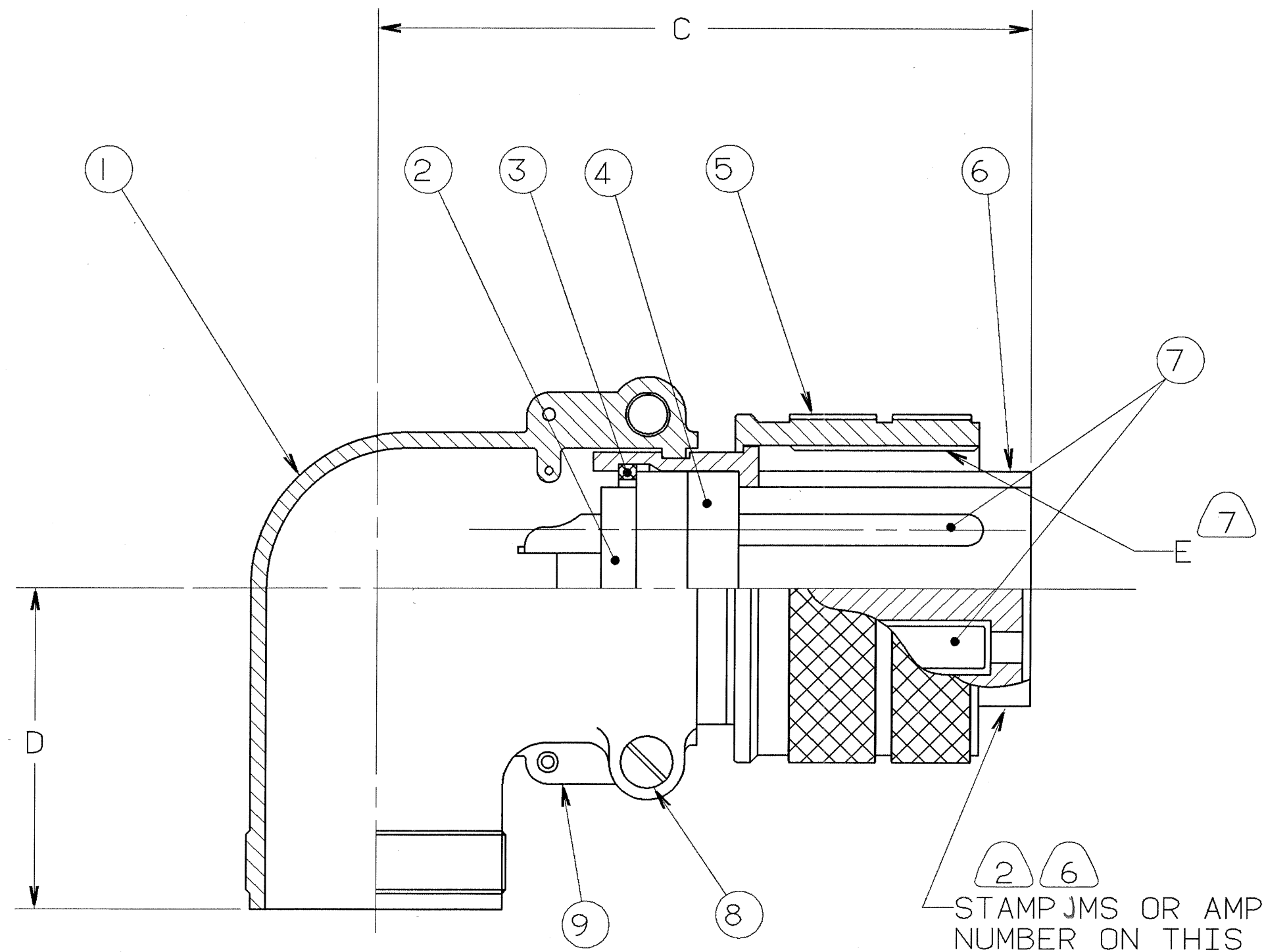
Tel: +86-755-8981 8866 Fax: +86-755-8427 6832

Email & Skype: info@chipsmall.com Web: www.chipsmall.com

Address: A1208, Overseas Decoration Building, #122 Zhenhua RD., Futian, Shenzhen, China



REVISIONS				
ZONE	LTR	DESCRIPTION	DATE	APPROVED
	D	(CLII) ADDED NOTE 8 ECN:22391	08/29/89 BURNSIDE	m.m. J.B.
	E	(CLII) SEE ECN 91398	g/12/82	J. Balcan



STAMP JMS OR AMPHENOL ASSEMBLY NUMBER ON THIS SURFACE.
 CHARACTER HEIGHT .062 MINIMUM.
 EXAMPLE: JMS 3108B-12S-3P OR 97-3108B-12S-3P

FIND NO.	QTY REQD.	FSCM NO.	PART NUMBER	DESCRIPTION	NOTE REF.
9	SEE NOTE		SEE NOTE 1	BACK SHELL, MALE	
8				SCREW, BACK SHELL	
7				CONTACTS	
6				SHELL	
5				RING, COUPLING	7
4				INSERT, FRONT	
3				RING, RETAINING	
2				INSERT, REAR	
1				BACK SHELL, FEMALE	

UNLESS OTHERWISE SPECIFIED
 LINEAR DIMENSIONS ARE IN
 INCHES.
 TOLERANCES: .XXX±.010,
 .XX ±.03, .X ±.1,
 ANGLES ±2°.
 OTHER STANDARDS PER 9-3800
 AND DOD-D-1000.

SPECIFICATIONS		SIGNATURES		DATES	
MATERIAL SPEC.	N/A	PREPARED A. PRESCOTT	11/06/87	AMPHENOL CORPORATION BENDIX CONNECTOR OPERATIONS SIDNEY, N.Y.	
PROCESS SPEC.	9-2437-33 9-7568	CHECKED PHILPOTT	11/17/87	CONNECTOR, ELECTRICAL PLUG, TYPE 97-3108B, OLIVE DRAB CADMIUM PLATE.	
		APPROVED BERNHARDT	11/16/87	SIZE C	FSCM NO. 77820
		APPROVED HAYNER	11/17/87	SCALE NONE	WT. REF N/A
		1ST PART NO. 10-820162-03S			REV. E

SEE SHEET 2.
 NOTES:

THE USE OF THIS DOCUMENT IS UNLIMITED.
 HOWEVER, DOCUMENTS REFERENCED HEREON
 MAY CONTAIN LIMITED RIGHTS DATA.

N/A
 N/A
 NEXT ASSEMBLY

NOTE REF. =

2/20/89 08:19 * 89241 13:55 * PRELSE * 10-820160/179 0001

97-3108B

8-30789 08 17 * 89241 15 43 * PRELISE * 10-820160/179 0002

4

3

2

1

BENDIX ASSEMBLY NUMBER	AMPHENOL ASSEMBLY NUMBER	MS ASSEMBLY NUMBER	A DIA.	B	C	D	E THREAD	F THREAD
10-820160-()	97-3108B- 8S -()	MS3108B - 8S -()	NOT AVAILABLE					
1-()	-10S -()	-10S -()	NOT AVAILABLE					
2-()	-10SL-()	-10SL-()	.875	-----	1.500	1.000	.6250-24 UNEF-2B	.6250-24 UNEF-2A
3-()	-12S -()	-12S -()	1.000	-----	1.562	1.000	.7500-20 UNEF-2B	.6250-24 UNEF-2A
4-()	-12SL-()	-12SL-()	NOT AVAILABLE					
5-()	-12 -()	-12 -()	1.000	-----	1.875	1.000	.7500-20 UNEF-2B	.6250-24 UNEF-2A
6-()	-14S -()	-14S -()	1.125	1.281	1.719	1.063	.8750-20 UNEF-2B	.7500-20 UNEF-2A
7-()	-14 -()	-14 -()	NOT AVAILABLE					
8-()	-16S -()	-16S -()	1.250	1.500	1.750	1.125	1.0000-20 UNEF-2B	.8750-20 UNEF-2A
9-()	-16 -()	-16 -()	1.250	1.500	2.125	1.125	1.0000-20 UNEF-2B	.8750-20 UNEF-2A
10-820170-()	-18 -()	-18 -()	1.344	1.641	2.156	1.187	1.1250-18 UNEF-2B	1.0000-20 UNEF-2A
1-()	-20 -()	-20 -()	1.469	1.812	2.375	1.312	1.2500-18 UNEF-2B	1.1875-18 UNEF-2A
2-()	-22 -()	-22 -()	1.594	1.937	2.406	1.312	1.3750-18 UNEF-2B	1.1875-18 UNEF-2A
3-()	-24 -()	-24 -()	1.719	2.063	2.625	1.437	1.5000-18 UNEF-2B	1.4375-18 UNEF-2A
4-()	-28 -()	-28 -()	1.969	2.312	2.625	1.437	1.7500-18 UNEF-2B	1.4375-18 UNEF-2A
5-()	-32 -()	-32 -()	2.219	2.594	2.812	1.750	2.0000-18 UNEF-2B	1.7500-18 UNEF-2A
6-()	-36 -()	-36 -()	2.469	2.848	2.844	1.937	2.2500-16 UNEF-2B	2.0000-18 UNEF-2A
7-()	-40 -()	-40 -()	2.719	3.156	2.969	2.062	2.2500-16 UNEF-2B	2.2500-16 UN -2A
8-()	-44 -()	-44 -()	NOT AVAILABLE					
9-()	-48 -()	-48 -()	NOT AVAILABLE					

TO COMPLETE, ADD APPLICABLE INSERT ARRANGEMENT SUFFIX PER 9-2437-33. ⁶

8. IDENTIFY PACKAGE WITH APPLICABLE MS OR 97- PART NUMBER PER NOTE 6.
7. APPLY LUBRICANT 9-7568 TO THREADS OF COUPLING RING.
6. FOR BENDIX INSERT ARRANGEMENT SUFFIX -1 THROUGH -49, STAMP MS ASSEMBLY NUMBER. FOR BENDIX INSERT ARRANGEMENT SUFFIX -50 THROUGH -99, AND -AA THROUGH -BC, STAMP AMPHENOL ASSEMBLY NUMBER.
5. FOR CONTACT ARRANGEMENT, SEE MIL-STD-1651 AND L-22208-() THROUGH L-22248-().
4. PACKAGE PER PRODUCTION PROCESS SHEET.
3. UNITS MEET THE APPLICABLE REQUIREMENTS OF MIL-C-5015.
2. SEE WORK ORDER FOR PERMISSIBLE ADDITIONAL OR ALTERNATE STAMPING.
1. SEE SEPARATE PARTS LIST FOR COMPONENT PART NUMBERS AND QUANTITIES.

NOTES:

THE USE OF THIS DOCUMENT IS UNLIMITED. HOWEVER, DOCUMENTS REFERENCED HEREON MAY CONTAIN LIMITED RIGHTS DATA.

SIZE	FSCM NO.	REV.
C	77820	E
SCALE	WT.	REF.
		SHEET 2

COMPUTER GENERATED DRAWING

TAB.

97-3108B

B

A