



Chipsmall Limited consists of a professional team with an average of over 10 year of expertise in the distribution of electronic components. Based in Hongkong, we have already established firm and mutual-benefit business relationships with customers from,Europe,America and south Asia,supplying obsolete and hard-to-find components to meet their specific needs.

With the principle of “Quality Parts,Customers Priority,Honest Operation,and Considerate Service”,our business mainly focus on the distribution of electronic components. Line cards we deal with include Microchip,ALPS,ROHM,Xilinx,Pulse,ON,Everlight and Freescale. Main products comprise IC,Modules,Potentiometer,IC Socket,Relay,Connector.Our parts cover such applications as commercial,industrial, and automotives areas.

We are looking forward to setting up business relationship with you and hope to provide you with the best service and solution. Let us make a better world for our industry!



Contact us

Tel: +86-755-8981 8866 Fax: +86-755-8427 6832

Email & Skype: info@chipsmall.com Web: www.chipsmall.com

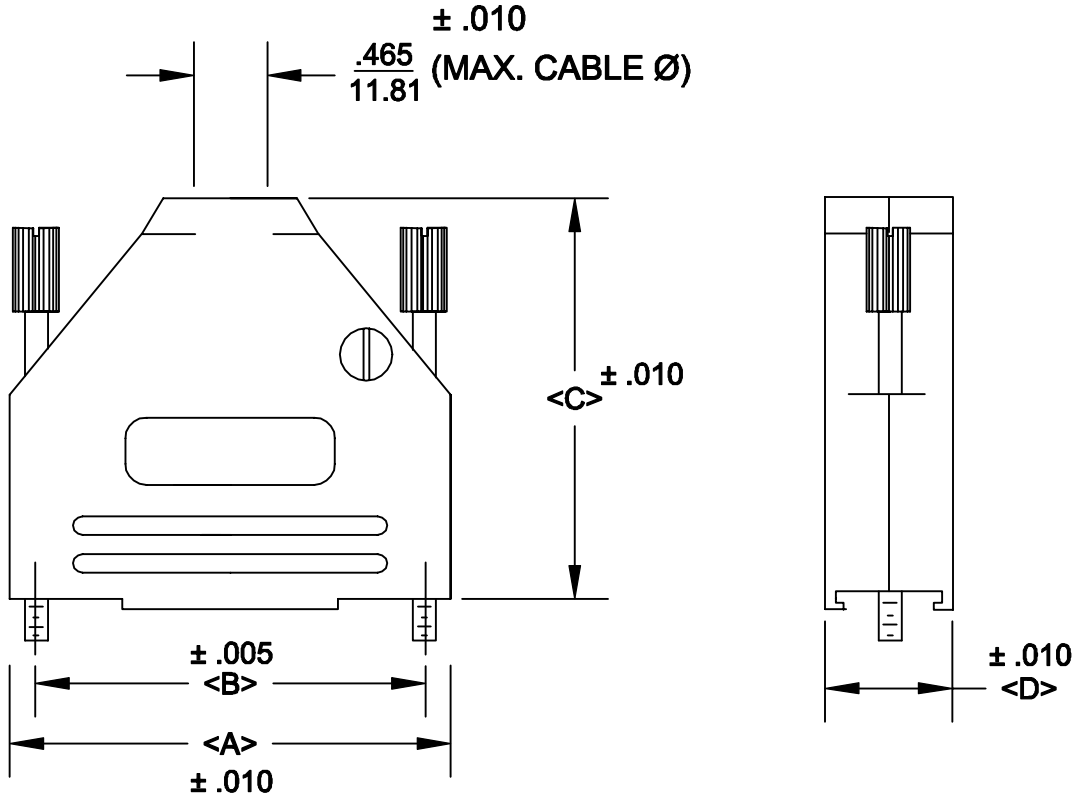
Address: A1208, Overseas Decoration Building, #122 Zhenhua RD., Futian, Shenzhen, China



DESCRIPTION: **970 SERIES D-SUB BACKSHELL**

BACKSHELL KIT INCLUDES:

- (2) BACKSHELL HALVES
- (2) 4-40 THUMBSCREWS
- (2) HOUSING SCREWS
- (1) COMPRESSION RING-VARIOUS SIZES



970-XXX-XXX-XX1

SERIES _____

POSITIONS _____

009

015

025

037

MATERIAL _____

010 = PLASTIC

020 = METALIZED PLASTIC

030 = ZINC

040 = DIE CAST(BLACK CHROMATE)

COLOR: _____

01 = BLACK

12 = NICKEL OVER COPPER


PUT-UPS _____

1 = KIT

POS.	A	B	C	D
9	1.228	.984	1.571	.610
	31.19	24.99	39.90	15.50
15	1.555	1.312	1.634	.610
	39.50	33.32	41.50	15.50
25	2.102	1.852	1.913	.610
	53.39	47.04	48.59	15.50
37	2.744	2.500	2.110	.610
	69.70	63.50	53.59	15.50

MATERIAL: DIE-CAST ZINC ALLOY
PLATING: NICKEL OVER COPPER OR BLACK CHROMATE

METALIZED PLASTIC AND PLASTIC: HIGH TEMPERATURE ABS
U.L.94HB - AVAILABLE 1999

	THESE DRAWINGS AND SPECIFICATIONS ARE THE PROPERTY OF NorComp AND SHALL NOT BE REPRODUCED, COPIED OR USED AS THE BASIS FOR THE MANUFACTURE OR SALE OF APPARATUS WITHOUT WRITTEN PERMISSION.		DRAWN: PAM JENKINS	DATE: 7-30-98
				CHECKED:
NorComp		SCALE	SHEET OF	REV 2
		DWG NO. 970 -XXX-0X0-XX1		