



Chipsmall Limited consists of a professional team with an average of over 10 year of expertise in the distribution of electronic components. Based in Hongkong, we have already established firm and mutual-benefit business relationships with customers from,Europe,America and south Asia,supplying obsolete and hard-to-find components to meet their specific needs.

With the principle of “Quality Parts,Customers Priority,Honest Operation,and Considerate Service”,our business mainly focus on the distribution of electronic components. Line cards we deal with include Microchip,ALPS,ROHM,Xilinx,Pulse,ON,Everlight and Freescale. Main products comprise IC,Modules,Potentiometer,IC Socket,Relay,Connector.Our parts cover such applications as commercial,industrial, and automotives areas.

We are looking forward to setting up business relationship with you and hope to provide you with the best service and solution. Let us make a better world for our industry!



## Contact us

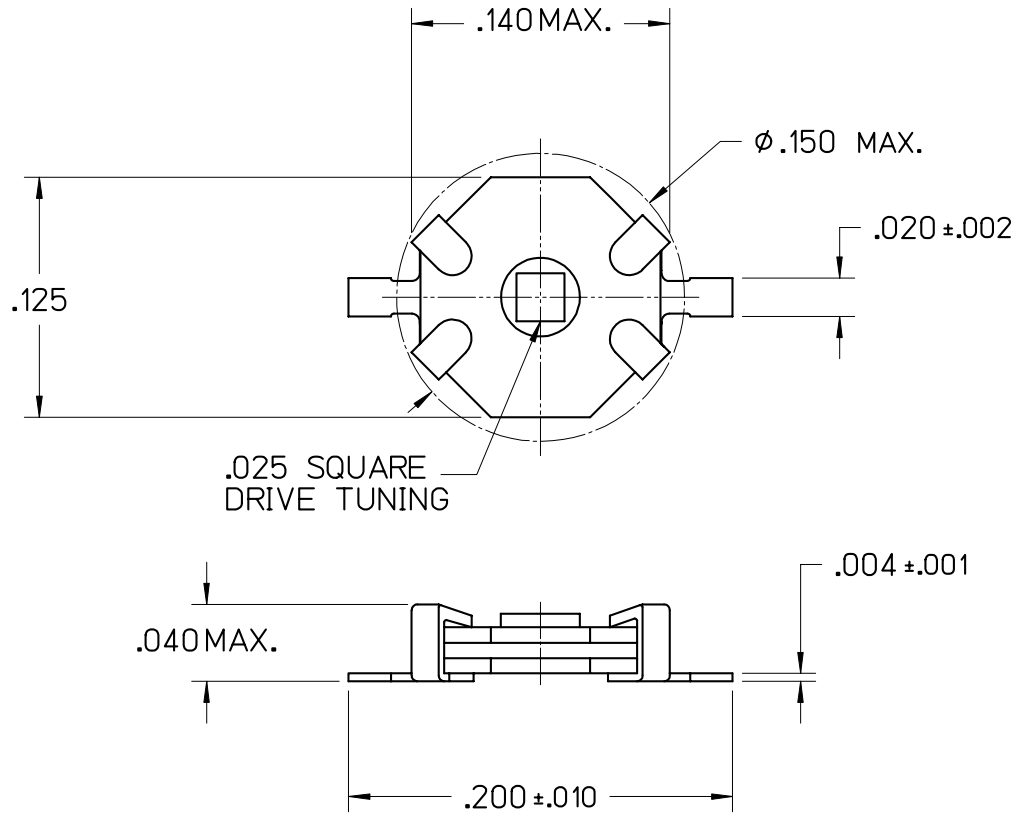
Tel: +86-755-8981 8866 Fax: +86-755-8427 6832

Email & Skype: info@chipsmall.com Web: www.chipsmall.com

Address: A1208, Overseas Decoration Building, #122 Zhenhua RD., Futian, Shenzhen, China



JMC PART NO.	CAPACITY RANGE	Q @ 100MHz
9701-0SL-1	0.25pF TO 0.7pF	>1000
9701-1SL-1	0.5pF TO 1.3pF	>1000
9701-2SL-1	0.6pF TO 2.0pF	>1000
9701-4SL-1	1.5pF TO 4.0pF	>500



MI DRG. NO. 9701-#SL-1B REV. **9701-#SL-1 B**  
**THIN-TRIM® CAPACITOR**  
 (U.S. PATENT NO. 3,701,932)

SPECIFICATIONS		FILE: THINOUT
CAPACITY RANGE	SEE TABLE	
WORKING VOLTAGE	250 VDC (TEST VOLTAGE 500 VDC)	
Q @ 100 MHz	SEE TABLE	
INSULATION RESISTANCE	> 10 <sup>4</sup> MEGOHMS	
TEMPERATURE RANGE	-55°C TO +125°C	
TORQUE	0.05 TO 0.5 OZ. IN.	
MOISTURE RESISTANCE	MIL-STD-202, METHOD 106	
SHOCK	100 g @ 6 ms	
VIBRATION	15 g @ 10-2000 Hz	
SETTING DRIFT	< 1%	
CERAMIC DIELECTRIC STRUCTURE		
GOLD FINISH TERMINALS		
RoHS COMPLIANT		

B	12/06/06	MLD	MAI	MAI	000475
A	04/04/06	MLD	-	-	000375
LEVEL	DATE	DRN.	CHK.	APP.	ECN

REVISIONS

DRN.	CHK.	APP.	SCALE
MLD	MAI	MAI	10" = 1"
DATE	DATE	DATE	.XX ± .015
04/04/06	04/07/06	04/07/06	.XXX ± .005



**JOHANSON MANUFACTURING CORPORATION**  
 ROCKAWAY VALLEY ROAD, BOONTON, N.J. 07005 (973)334-2676 FAX (973)334-2954  
 ELECTRONIC ACCURACY THROUGH MECHANICAL PRECISION

PROPRIETARY INFORMATION CONTAINED NOT TO BE USED WITHOUT JOHANSON MANUFACTURING CORPORATION APPROVAL