



Chipsmall Limited consists of a professional team with an average of over 10 year of expertise in the distribution of electronic components. Based in Hongkong, we have already established firm and mutual-benefit business relationships with customers from,Europe,America and south Asia,supplying obsolete and hard-to-find components to meet their specific needs.

With the principle of “Quality Parts,Customers Priority,Honest Operation,and Considerate Service”,our business mainly focus on the distribution of electronic components. Line cards we deal with include Microchip,ALPS,ROHM,Xilinx,Pulse,ON,Everlight and Freescale. Main products comprise IC,Modules,Potentiometer,IC Socket,Relay,Connector.Our parts cover such applications as commercial,industrial, and automotives areas.

We are looking forward to setting up business relationship with you and hope to provide you with the best service and solution. Let us make a better world for our industry!



Contact us

Tel: +86-755-8981 8866 Fax: +86-755-8427 6832

Email & Skype: info@chipsmall.com Web: www.chipsmall.com

Address: A1208, Overseas Decoration Building, #122 Zhenhua RD., Futian, Shenzhen, China



DESCRIPTION: 973 SERIES D-SUB BACKSHELL

BACKSHELL KIT INCLUDES:

- (2) BACKSHELL HALVES
- (2) 4-40 THUMBSCREWS
- (2) HOUSING SCREWS
- (1) METAL STRAIN RELIEF CLAMP
- (2) STRAIN RELIEF SCREWS

973-XXX-XXXRXX1

SERIES _____

POSITIONS _____

009
015
025
037
050

MATERIAL _____

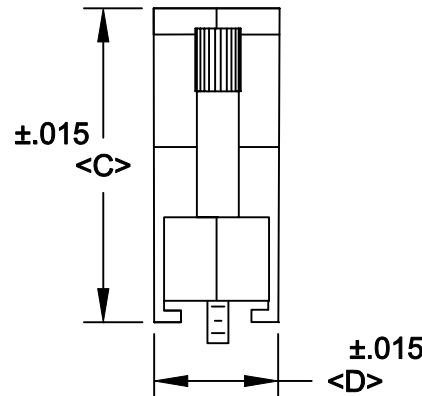
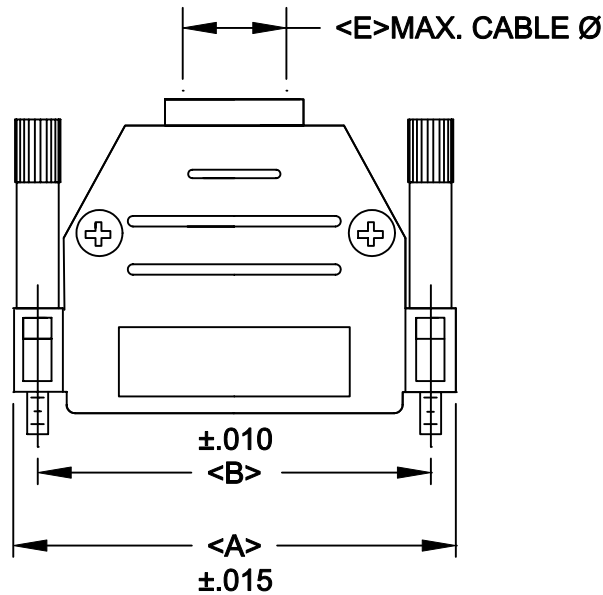
010 = PLASTIC
020 = METALIZED PLASTIC

COLOR: _____

01 = BLACK
12 = NICKEL OVER COPPER

PUT-UPS _____

1 = KIT



POS.	A	B	C	D	E
9	1.240	.984	1.221	.598	.335
	31.50	24.99	31.01	15.19	8.51
15	1.575	1.312	1.378	.598	.335
	40.01	33.32	35.00	15.19	8.51
25	2.106	1.852	1.496	.598	.433
	53.49	47.04	38.00	15.19	11.00
37	2.756	2.500	1.575	.598	.433
	70.00	63.50	40.01	15.19	11.00
50	2.657	2.406	1.575	.717	.472
	67.49	61.00	40.01	18.21	11.99

METALIZED PLASTIC:
MATERIAL: HIGH TEMPERATURE ABS
PLATING: NICKEL OVER COPPER

PLASTIC:
MATERIAL: HIGH TEMPERATURE ABS
COLOR: BLACK
OPERATING TEMP: -55°C TO +125°C
RoHS COMPLIANT

	THESE DRAWINGS AND SPECIFICATIONS ARE THE PROPERTY OF NorComp AND SHALL NOT BE REPRODUCED, COPIED OR USED AS THE BASIS FOR THE MANUFACTURE OR SALES OF APPARATUS WITHOUT WRITTEN PERMISSION.		DRAWN: PAM JENKINS	DATE: 7-15-05
			CHECKED:	DATE:
<h1>NorComp</h1>			SCALE	SHEET OF
			REV 1	
DWG NO. 973-XXX-0X0RXX1				