



Chipsmall Limited consists of a professional team with an average of over 10 year of expertise in the distribution of electronic components. Based in Hongkong, we have already established firm and mutual-benefit business relationships with customers from,Europe,America and south Asia,supplying obsolete and hard-to-find components to meet their specific needs.

With the principle of “Quality Parts,Customers Priority,Honest Operation,and Considerate Service”,our business mainly focus on the distribution of electronic components. Line cards we deal with include Microchip,ALPS,ROHM,Xilinx,Pulse,ON,Everlight and Freescale. Main products comprise IC,Modules,Potentiometer,IC Socket,Relay,Connector.Our parts cover such applications as commercial,industrial, and automotives areas.

We are looking forward to setting up business relationship with you and hope to provide you with the best service and solution. Let us make a better world for our industry!



Contact us

Tel: +86-755-8981 8866 Fax: +86-755-8427 6832

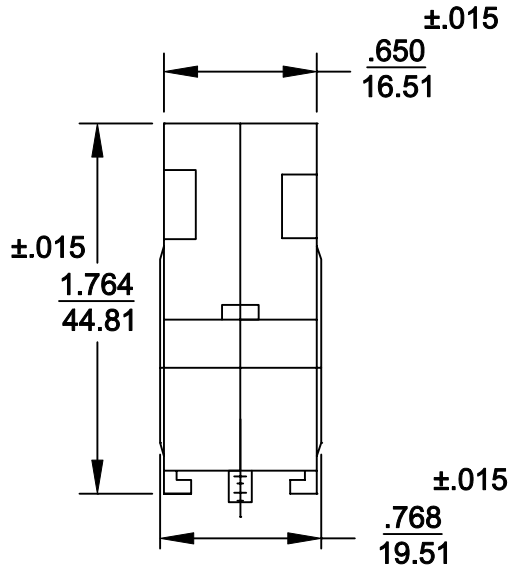
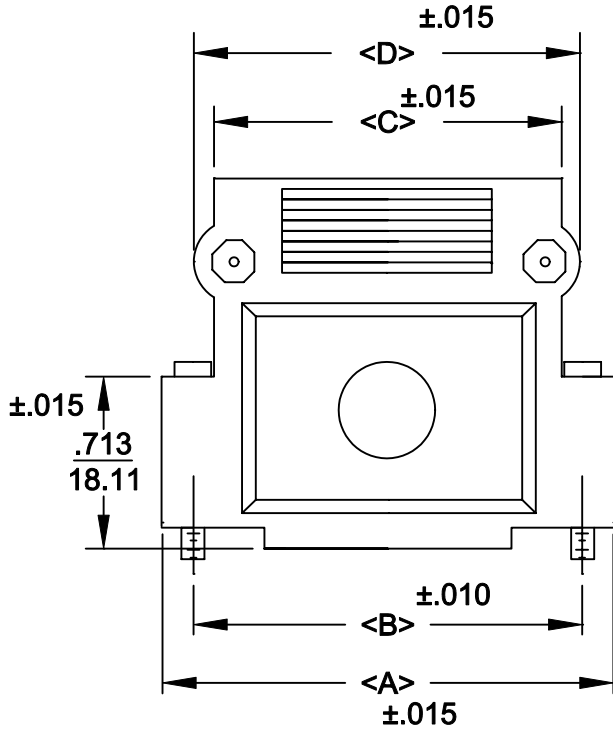
Email & Skype: info@chipsmall.com Web: www.chipsmall.com

Address: A1208, Overseas Decoration Building, #122 Zhenhua RD., Futian, Shenzhen, China



DESCRIPTION: 976 SERIES

- BACKSHELL KIT INCLUDES:**
 (2) BACKSHELL HALVES
 (2) 4-40 MATING SCREWS
 (2) HOUSING SCREWS
 (2) HOUSING NUTS



976-XXX-XXXRXX1

SERIES _____
 POSITIONS _____
 009
 015
 025
 037
 MATERIAL _____
 010 = PLASTIC
 020 = METALIZED PLASTIC
 COLOR: _____
 03 = GREY
 12 = NICKEL OVER COPPER
 PUT-UPS _____
 1 = KIT

POS.	A	B	C	D
9	1.319	.984	.758	.946
	33.50	24.99	19.25	24.03
15	1.622	1.312	1.102	1.289
	41.20	33.32	27.99	32.74
25	2.157	1.852	1.642	1.874
	54.79	47.04	41.71	47.60
37	2.815	2.500	2.283	2.470
	71.50	63.50	57.99	62.74

METALIZED PLASTIC:
 MATERIALS: ABS HIGH TEMPERATURE PLASTIC 94HB
 PLATING: CHROME - ELECTROPLATED PLASTIC:
 MATERIALS: ABS HIGH TEMPERATURE PLASTIC 94HB - GREY
 RoHS COMPLIANT

	THESE DRAWINGS AND SPECIFICATIONS ARE THE PROPERTY OF NorComp AND SHALL NOT BE REPRODUCED, COPIED OR USED AS THE BASIS FOR THE MANUFACTURE OR SALE OF APPARATUS WITHOUT WRITTEN PERMISSION.		DRAWN: PAM JENKINS	DATE: 7-28-05
			CHECKED:	DATE:
NorComp		SCALE	SHEET	OF
				REV 1
		DWG NO. 976-XXX-0X0RXX1		