



Chipsmall Limited consists of a professional team with an average of over 10 year of expertise in the distribution of electronic components. Based in Hongkong, we have already established firm and mutual-benefit business relationships with customers from,Europe,America and south Asia,supplying obsolete and hard-to-find components to meet their specific needs.

With the principle of "Quality Parts,Customers Priority,Honest Operation,and Considerate Service",our business mainly focus on the distribution of electronic components. Line cards we deal with include Microchip,ALPS,ROHM,Xilinx,Pulse,ON,Everlight and Freescale. Main products comprise IC,Modules,Potentiometer,IC Socket,Relay,Connector.Our parts cover such applications as commercial,industrial, and automotives areas.

We are looking forward to setting up business relationship with you and hope to provide you with the best service and solution. Let us make a better world for our industry!



Contact us

Tel: +86-755-8981 8866 Fax: +86-755-8427 6832

Email & Skype: info@chipsmall.com Web: www.chipsmall.com

Address: A1208, Overseas Decoration Building, #122 Zhenhua RD., Futian, Shenzhen, China



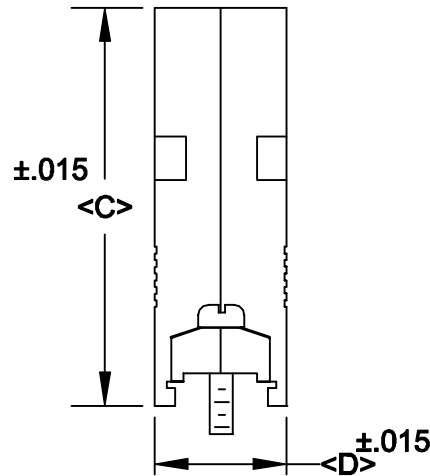
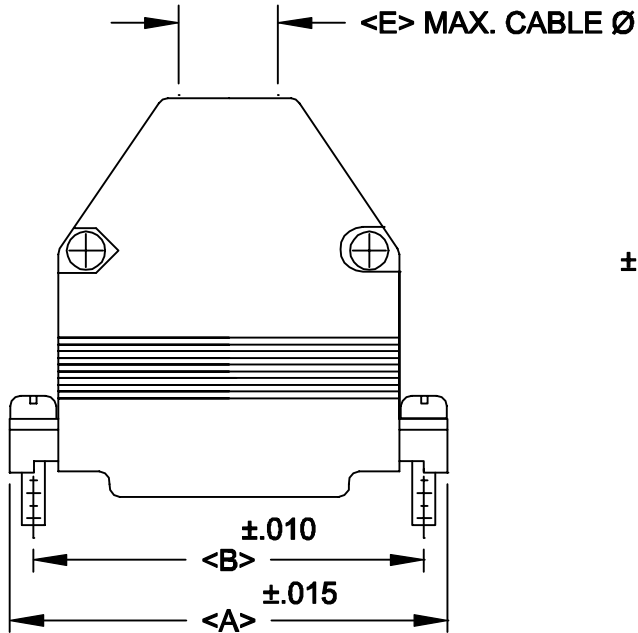
DESCRIPTION: **979 SERIES D-SUB BACKSHELL**

979-XXX-XXX-XX1

BACKSHELL KIT INCLUDES:

- (2) BACKSHELL HALVES
- (2) 4-40 MATING SCREW
- (2) SADDLE WASHERS
- (2) HOUSING SCREWS
- (2) HOUSING NUTS
- (1) GROMMET TREE - VARIOUS SIZES
(NON-CONDUCTIVE GROMMETS)

SERIES _____
 POSITIONS _____
 009
 015
 025
 037
 050
 MATERIAL _____
 030 = ZINC
 COLOR: _____
 12 = NICKEL OVER COPPER
 PUT-UPS _____
 1 = KIT



POS.	A	B	C	D	E
9	1.225	.984	1.900	.630	.415
	31.12	24.99	48.26	16.00	10.54
15	1.553	1.312	1.900	.630	.415
	39.44	33.32	48.26	16.00	10.54
25	2.100	1.852	1.900	.630	.415
	53.34	47.04	48.26	16.00	10.54
37	2.730	2.500	1.900	.630	.620
	69.34	63.50	48.26	16.00	15.74
50	2.640	2.406	1.900	.770	.730
	67.06	61.11	48.26	19.56	18.54

**MATERIAL: DIE-CAST ZINC ALLOY
 PLATING: NICKEL OVER COPPER**

	THESE DRAWINGS AND SPECIFICATIONS ARE THE PROPERTY OF NorComp AND SHALL NOT BE REPRODUCED, COPIED OR USED AS THE BASIS FOR THE MANUFACTURE OR SALE OF APPARATUS WITHOUT WRITTEN PERMISSION.		DRAWN: PAM JENKINS	DATE: 8-6-98
	CHECKED			DATE:
NorComp		SCALE	SHEET OF	REV 2
		DWG NO. 979-XXX-030-121		