



Chipsmall Limited consists of a professional team with an average of over 10 year of expertise in the distribution of electronic components. Based in Hongkong, we have already established firm and mutual-benefit business relationships with customers from,Europe,America and south Asia,supplying obsolete and hard-to-find components to meet their specific needs.

With the principle of "Quality Parts,Customers Priority,Honest Operation,and Considerate Service",our business mainly focus on the distribution of electronic components. Line cards we deal with include Microchip,ALPS,ROHM,Xilinx,Pulse,ON,Everlight and Freescale. Main products comprise IC,Modules,Potentiometer,IC Socket,Relay,Connector.Our parts cover such applications as commercial,industrial, and automotives areas.

We are looking forward to setting up business relationship with you and hope to provide you with the best service and solution. Let us make a better world for our industry!



Contact us

Tel: +86-755-8981 8866 Fax: +86-755-8427 6832

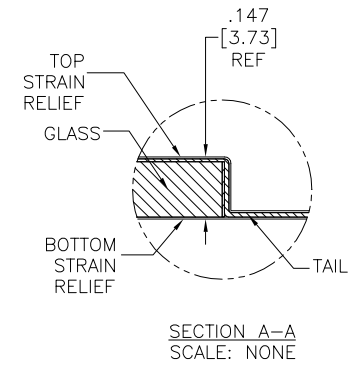
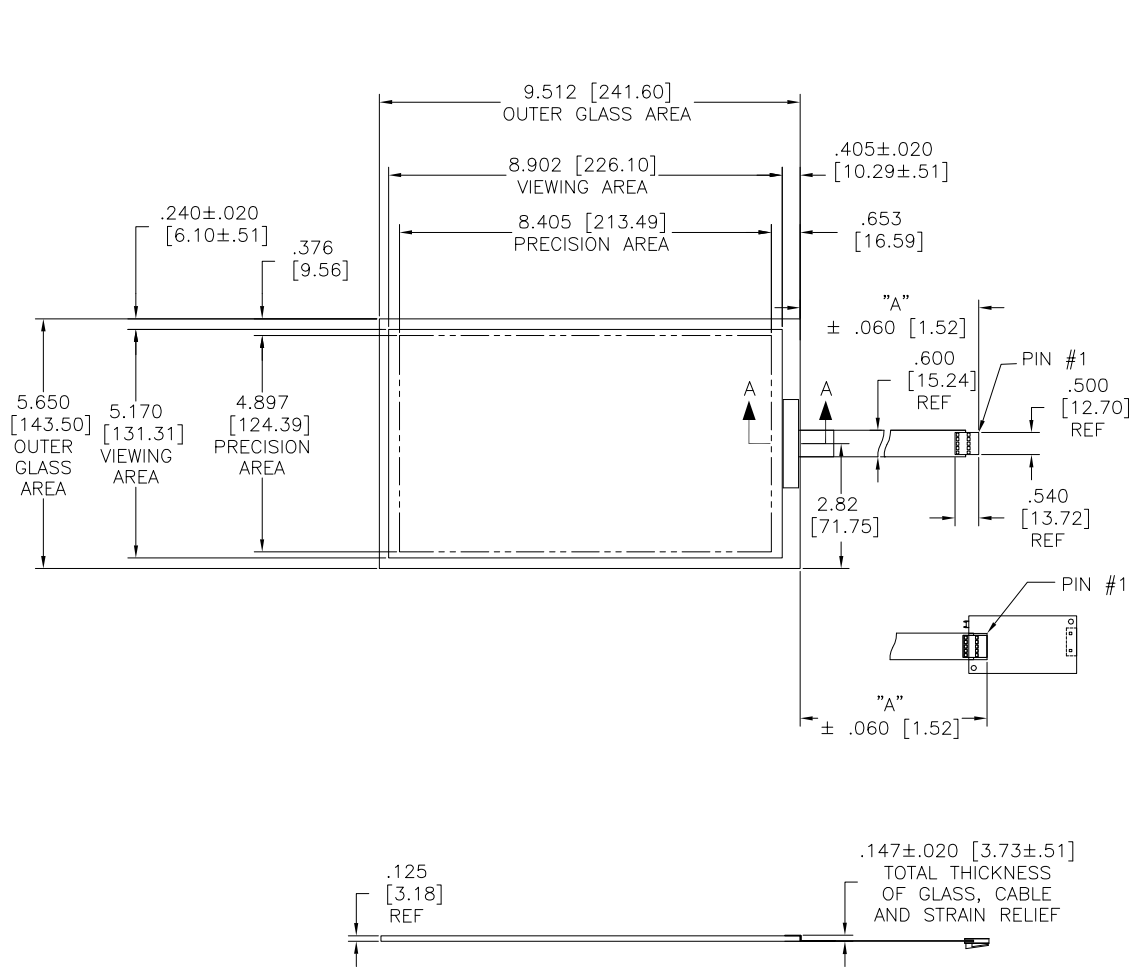
Email & Skype: info@chipsmall.com Web: www.chipsmall.com

Address: A1208, Overseas Decoration Building, #122 Zhenhua RD., Futian, Shenzhen, China



OGA DIAGONAL: 11.06 [281.00]
 VA DIAGONAL: 10.29 [261.47]
 PA DIAGONAL: 9.73 [247.08]

US NUMBER	TYPE	DIM "A" (TOTAL GLASS TO CONNECTOR)	A/G FINISH	PROD SPEC
98-1100-0054-8	USB R	8.00" [203.20]	AG500	23655
98-1100-0055-5	FFC	8.00" [203.20]	AG500	23655
98-1100-0088-6	USB R	8.00" [203.20]	WC100	34523
98-1100-0087-8	FFC	8.00" [203.20]	WC100	34523



(FFC)



(USB R)

EXII-7760UC
 98-0003-2814-0
 USB CONTROLLER
 SOLDER SIDE

NOTES:

1. WEIGHT OF GLASS IN GRAMS: 260±10%

PINOUT	
1	UL
2	UR
3	SHLD
4	LR
5	LL

UNITS	INCHES [MM]
TOLERANCES UNLESS OTHERWISE SPECIFIED	
.X	± .03 [.76]
.XX	± .015 [.38]
.XXX	± .015 [.38]
ANGLES	±1°

3M 3M TOUCH SYSTEMS
 METHUEN, MA USA
 © COPYRIGHT 2004
 THIS DOCUMENT IS COPYRIGHTED PROPERTY OF THE 3M COMPANY AND MAY NOT BE REPRODUCED WITHOUT 3M WRITTEN PERMISSION OR USED OR DISCLOSED FOR OTHER THAN 3M AUTHORIZED PURPOSES.

THIRD ANGLE PROJECTION

DO NOT SCALE DRAWING

SCALE 1 = 1

REV	CHANGE NOTICE	DATE	DRW
B	REVISE PER CO 036099	2/13	SB
A	RELEASE PER CO 035938	1/13	SB

TITLE
 MARKETING DRAWING
 SCT32NN 10.29" W

DRAWN SB 1/13

CAD FORMAT AUTOCAD SHEET 1 OF 1

SIZE C DOCUMENT NO. TSD-44298 REV B