



Chipsmall Limited consists of a professional team with an average of over 10 year of expertise in the distribution of electronic components. Based in Hongkong, we have already established firm and mutual-benefit business relationships with customers from,Europe,America and south Asia,supplying obsolete and hard-to-find components to meet their specific needs.

With the principle of “Quality Parts,Customers Priority,Honest Operation,and Considerate Service”,our business mainly focus on the distribution of electronic components. Line cards we deal with include Microchip,ALPS,ROHM,Xilinx,Pulse,ON,Everlight and Freescale. Main products comprise IC,Modules,Potentiometer,IC Socket,Relay,Connector.Our parts cover such applications as commercial,industrial, and automotives areas.

We are looking forward to setting up business relationship with you and hope to provide you with the best service and solution. Let us make a better world for our industry!



Contact us

Tel: +86-755-8981 8866 Fax: +86-755-8427 6832

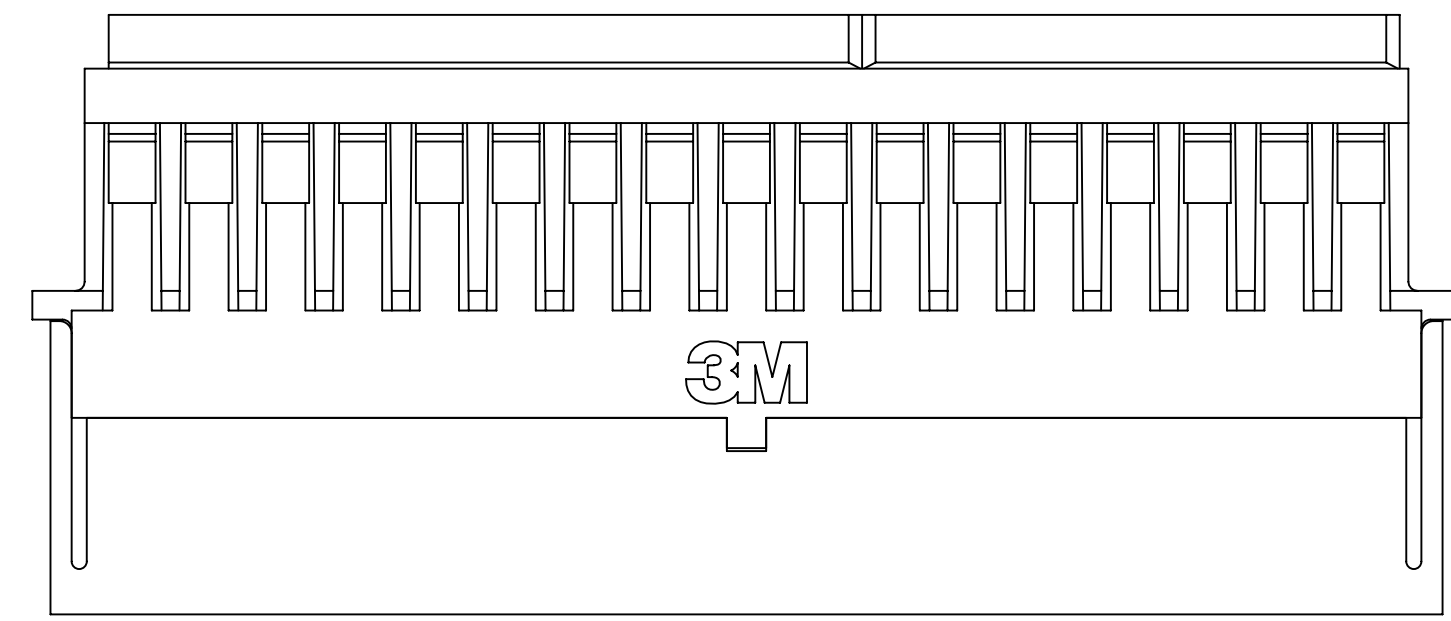
Email & Skype: info@chipsmall.com Web: www.chipsmall.com

Address: A1208, Overseas Decoration Building, #122 Zhenhua RD., Futian, Shenzhen, China

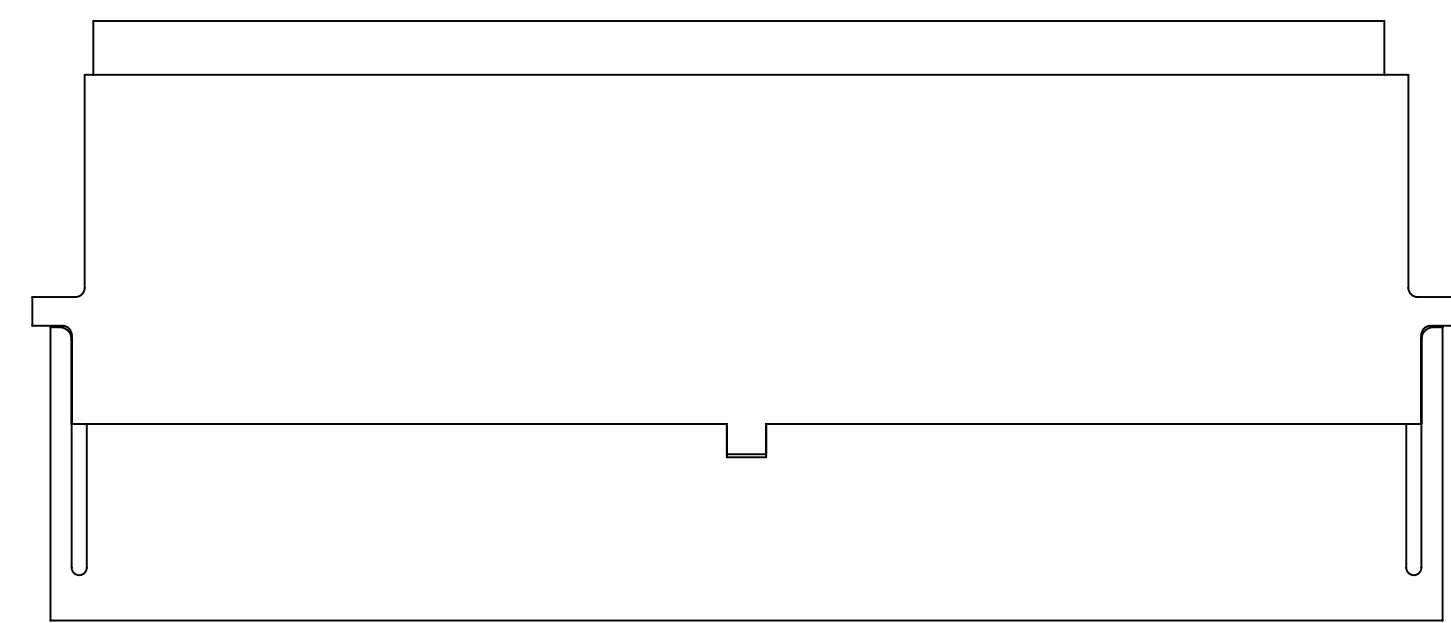


3M™ SHIELDED CONTROLLED IMPEDANCE (SCI)

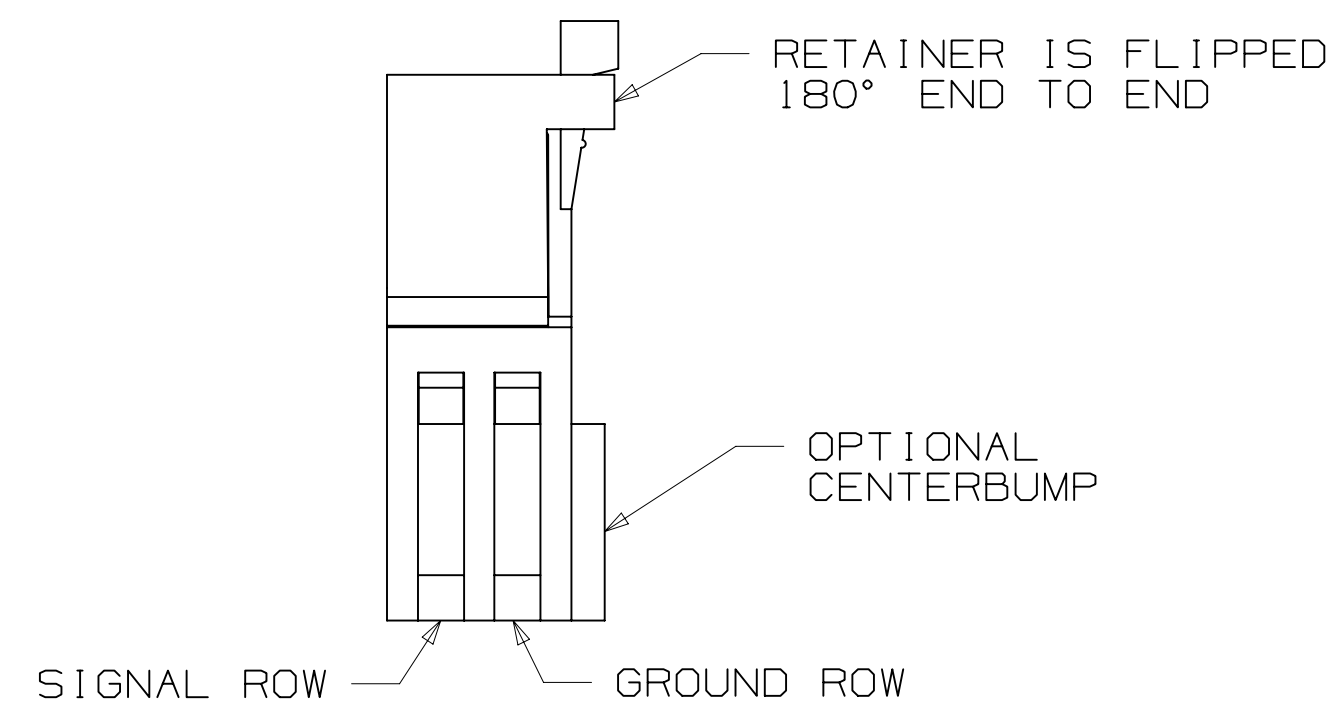
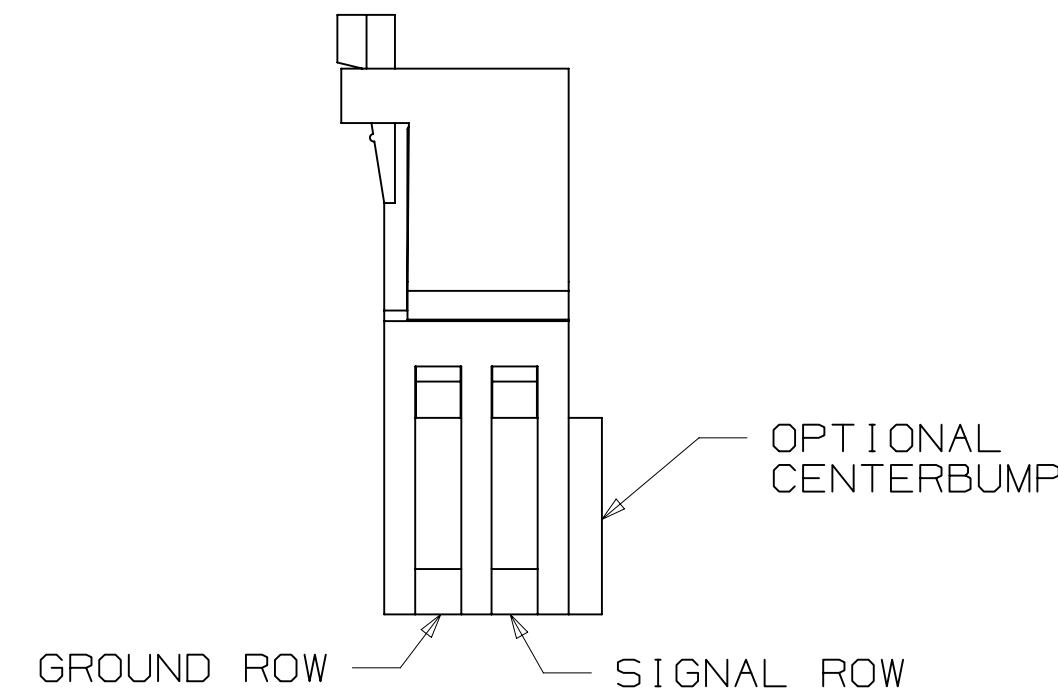
.100" ASSEMBLY HARDWARE



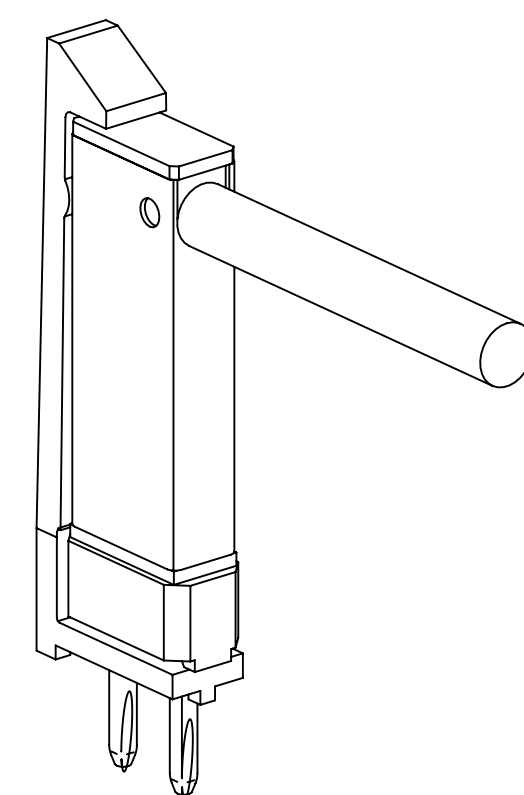
98XX-PSMO
NORMAL "MO" RETENTION STYLE



98XX-PSMR
REVERSE "MR" RETENTION STYLE



NOTE:
1) PIN STRIP LATCH IS FOR USE WITH
.100 SCI, RIGHT ANGLE CONNECTOR
TYPE 22 ONLY.
(SEE TECH SHEET TS-0803)



2 ROW CARRIER HOUSING

- * CARRIERS AVAILABLE IN 3M .100" X .100" (2.54MM X 2.54MM) SOCKET.
- * COMPATIBLE WITH ALL 3M .100" X .100" (2.54MM X 2.54MM) HEADERS.
- * AVAILABLE IN SHORT OR LONG LATCH STYLES. CHECK STYLE FOR MATCH.

3 X 7 CARRIER HOUSING

- * INTEGRAL LOCKING FEATURE.
- * INCLUDES TWO RETENTION CLIPS.

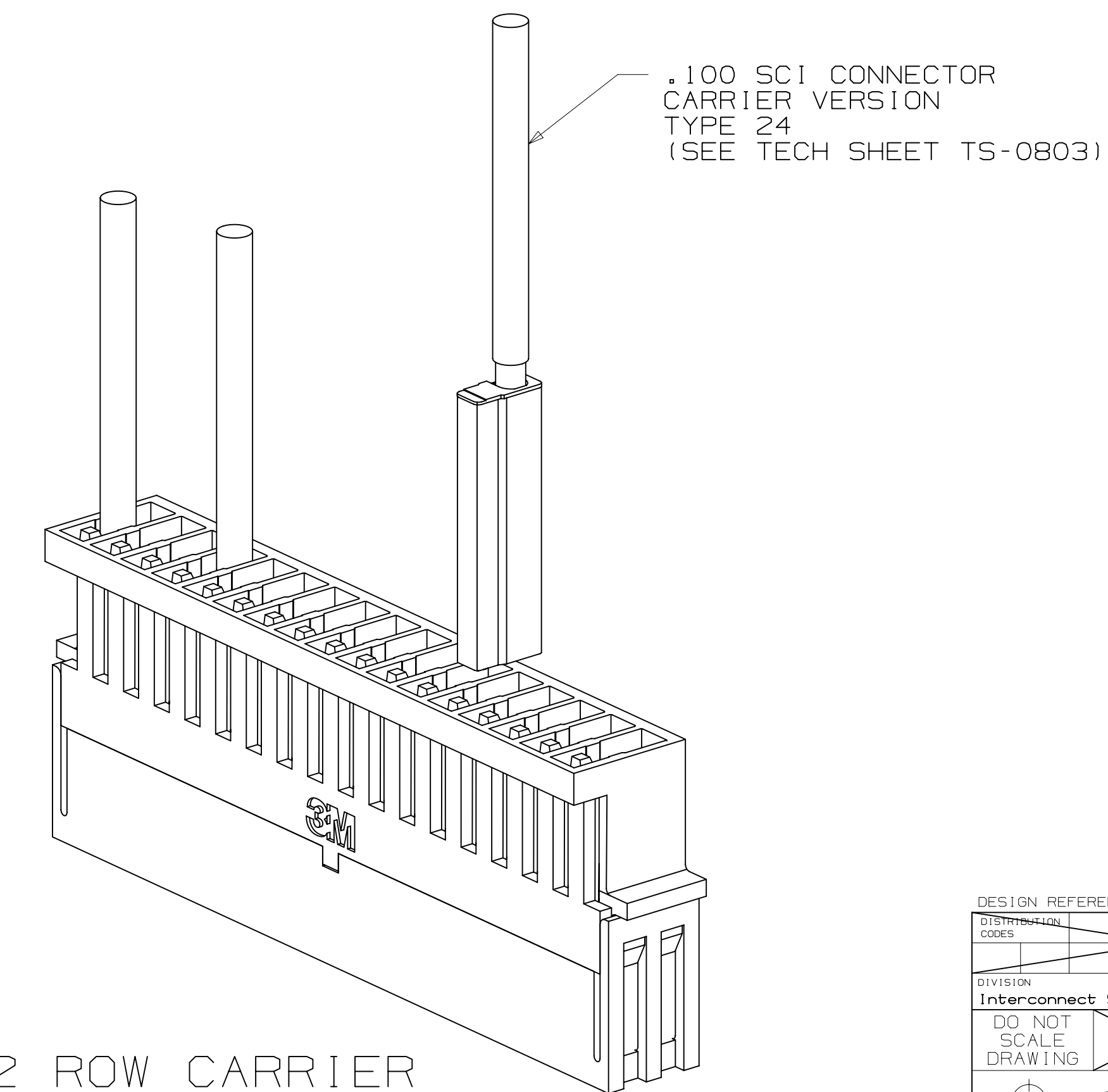
PIN STRIP LATCH

- * AVAILABLE FOR THE RIGHT ANGLE SCI CONNECTOR.
- * RoHS COMPLIANT

2 PHYSICAL :

INSULATION MATERIAL:

- 2 ROW CARRIER: POLYCARBONATE
- 3 X 7 CARRIER: GLASS REINFORCED POLYESTER
- COLOR: BLACK
- FLAMMABILITY: UL 94V-0
- MARKINGS: 3M LOGO
- CONTACTS: COPPER ALLOY



2 ROW CARRIER

- NOTES
- REGULATORY INFORMATION: ROHS COMPLIANT. SEE THE REGULATORY INFORMATION APPENDIX (RIA) IN THE "ROHS COMPLIANCE" SECTION OF WWW.3MCONNECTORS.COM FOR COMPLIANCE INFORMATION.
 - IN THE EVENT OF CONFLICT BETWEEN THIS DATA AND THAT CONTAINED IN THE PRODUCT SPECIFICATION, THE PRODUCT SPECIFICATION TAKES PRECEDENT.

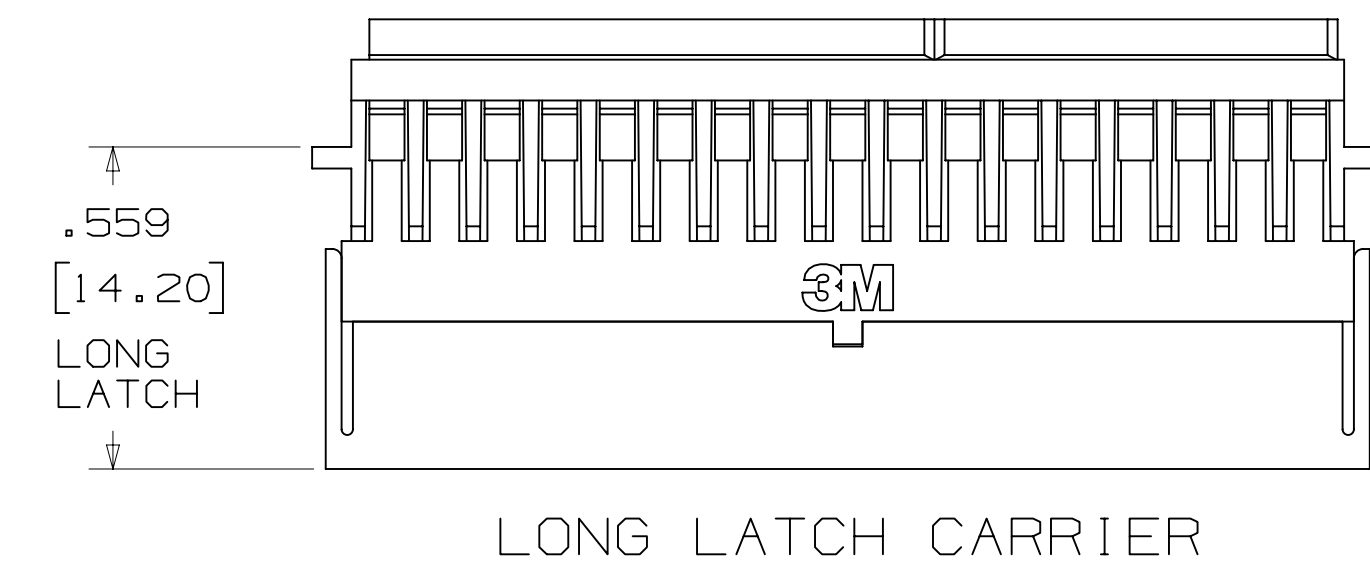
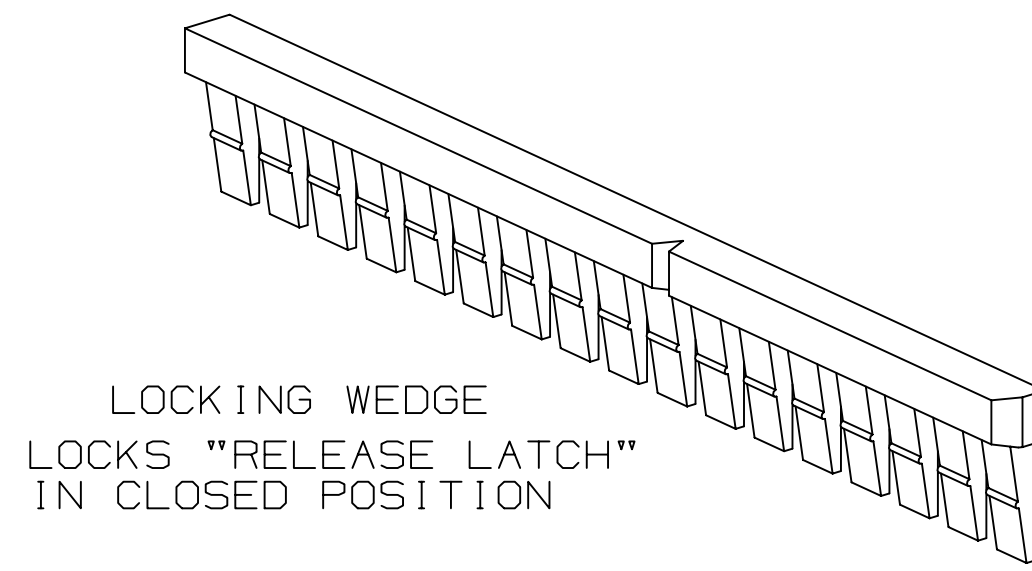
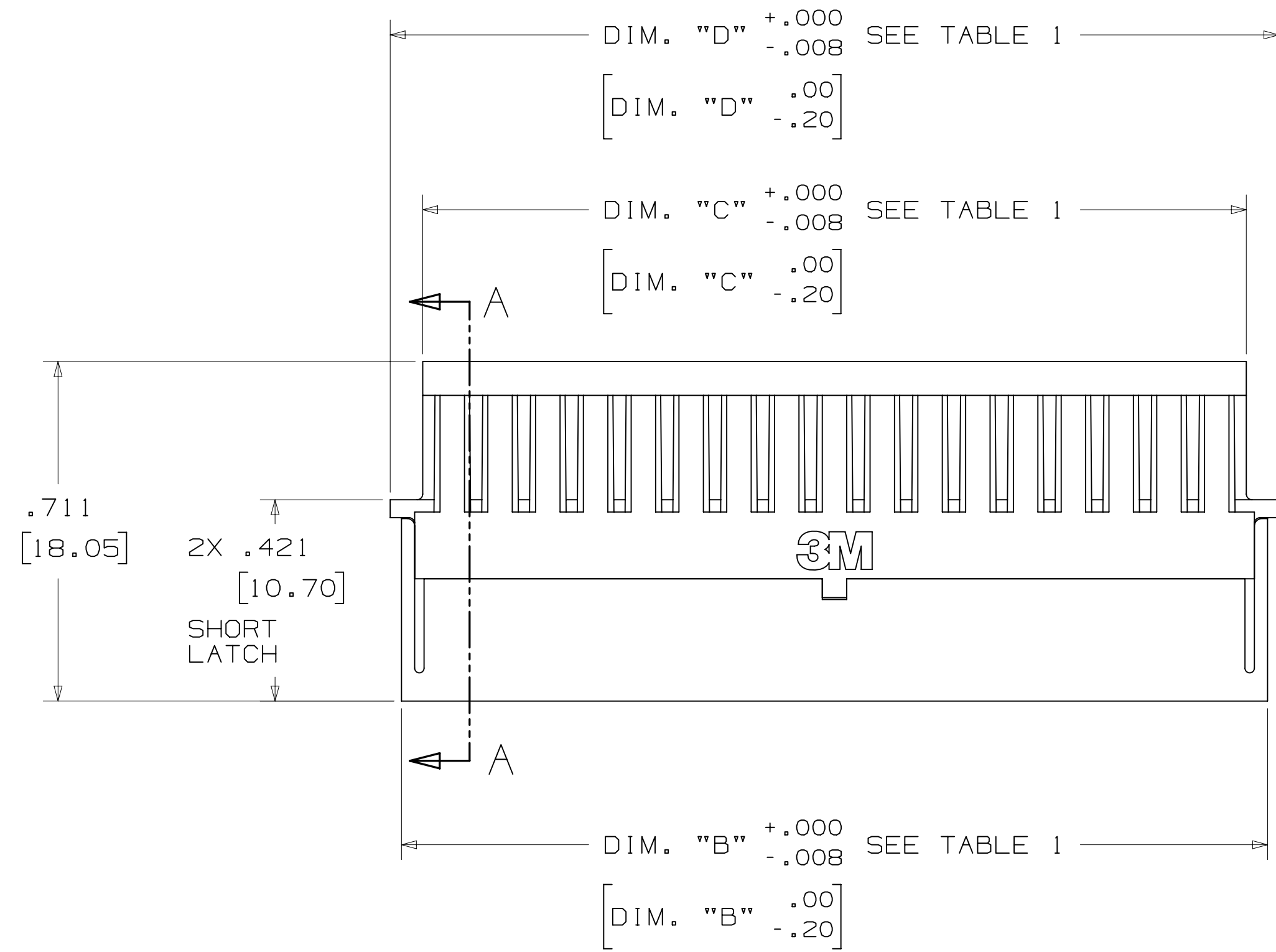
3M ELECTRONIC SOLUTIONS DIVISION
INTERCONNECT SOLUTIONS
<http://www.3mconnectors.com>

3M IS A TRADEMARK OF 3M COMPANY.
FOR TECHNICAL, SALES OR ORDERING
INFORMATION CALL 800-225-5373

DESIGN REFERENCE	NEXT ASSEMBLY	REV	ECO	ISSUE DATE AND DESCRIPTION	DRFT	CHKD
DIVISION	DIVISION CODE	DATE	DATE	DATE	DATE	DATE
Interconnect Solutions	ISD	JAN 03, 2013	JAN 03, 2013	JAN 03, 2013	JAN 03, 2013	JAN 03, 2013
DO NOT SCALE DRAWING	TOLERANCES EXCEPT AS NOTED					
THIRD ANGLE PROJECTION	INCHES	© 3M COPYRIGHT 2013 This document and the information it contains are 3M property and may not be reproduced or further distributed without 3M permission, or used or disclosed other than for 3M authorized purposes. All rights reserved.				
INTERPRET PER ASME Y14.5 - 1994	MILLIMETERS	ASSEMBLY HARDWARE, .100 SCI CARRIER				
MAX SURFACE ROUGHNESS	0 ±	CAGE NUMBER	SIZE	DRAWING NO.	REV.	
MARKED ONLY	0 ± .01 .000 ± .005 .0000 ±	D78-5100-0802-8	B	D78-5100-0802-8	B	
	0 ± .3 .00 ± .13 .000 ±	MODEL				
	ANGLES	DET. <input type="checkbox"/> YES <input checked="" type="checkbox"/> NO SHT 1 OF 3				

3M™ SHIELDED CONTROLLED IMPEDANCE (SCI)

.100" ASSEMBLY HARDWARE



- NOTES
- 1 POLARIZING GROOVE OMITTED FOR POSITIONS 6 AND 8.
 - 2 POLARIZING GROOVE OMITTED FOR POSITIONS 6, 8, 10, 12 AND 14.
 - 3 THE NORMAL "MO" RETENTION STYLE IS ILLUSTRATED. FOR THE REVERSE "MR" RETENTION STYLE THE CABLE ASSEMBLY RETAINER IS FLIPPED 180° END TO END AND THE "SIGNAL" AND "GROUND" ROWS OF CONTACTS ARE ALSO REVERSED.
 - 4 OPTIONAL LOCKING WEDGE PREVENTS SCI REMOVAL. 25 POSITION (CUT TO LENGTH)
 - 5 RELEASE LATCH CAN BE MOVED WITH FINGERNAIL TO ALLOW REPLACEMENT OF SCI CABLE LINE.

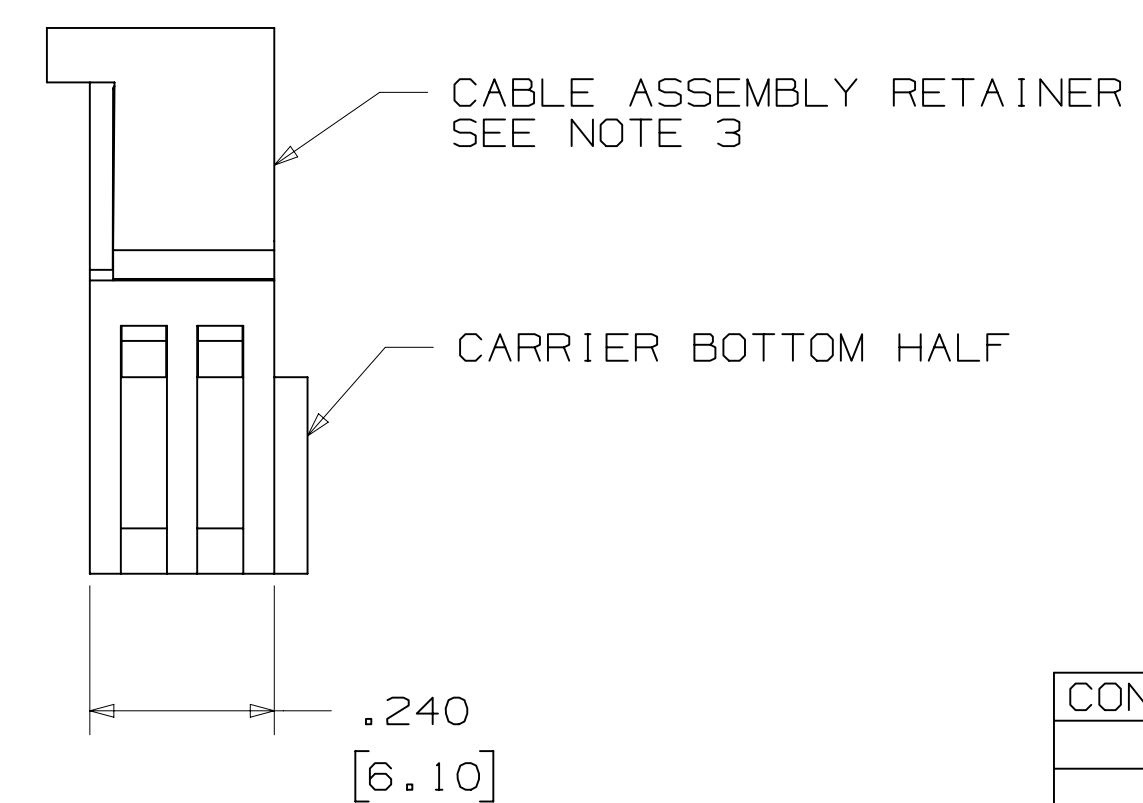
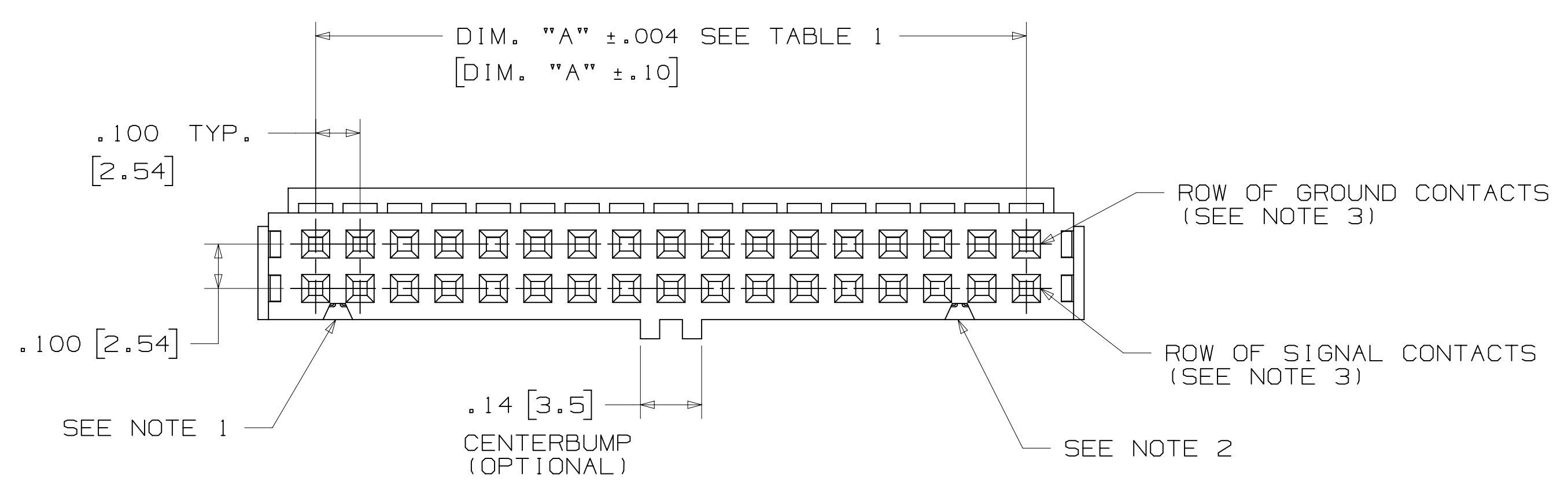


TABLE 1: CARRIER POSITIONS

CONTACT QTY.	DIM. "A"	DIM. "B"	DIM. "C"	DIM. "D"
06	.20 [5.08]	.41 [10.48]	.32 [8.22]	.46 [11.68]
08	.30 [7.62]	.51 [13.02]	.42 [10.76]	.56 [14.22]
* 10	.40 [10.16]	.61 [15.56]	.52 [13.30]	.66 [16.76]
12	.50 [12.70]	.71 [18.10]	.62 [15.84]	.76 [19.30]
* 14	.60 [15.24]	.81 [20.64]	.72 [18.38]	.86 [21.84]
* 16	.70 [17.78]	.91 [23.18]	.82 [20.92]	.96 [24.38]
* 20	.90 [22.86]	1.11 [28.26]	1.02 [26.00]	1.16 [29.46]
* 26	1.20 [30.48]	1.41 [35.88]	1.32 [33.62]	1.46 [37.08]
30	1.40 [35.56]	1.61 [40.96]	1.52 [38.70]	1.66 [42.16]
* 34	1.60 [40.64]	1.81 [46.04]	1.72 [43.78]	1.86 [47.24]
* 40	1.90 [48.26]	2.11 [53.66]	2.02 [51.40]	2.16 [54.86]
* 50	2.40 [60.96]	2.61 [66.36]	2.52 [64.10]	2.66 [67.56]
60	2.90 [73.66]	3.11 [79.06]	3.02 [76.80]	3.16 [80.26]
* 64	3.10 [78.74]	3.31 [84.14]	3.22 [81.88]	3.36 [85.34]

* TOOLED POSITIONS: CONTACT 3M SALES FOR ADDITIONAL POSITIONS



ORDERING INFORMATION

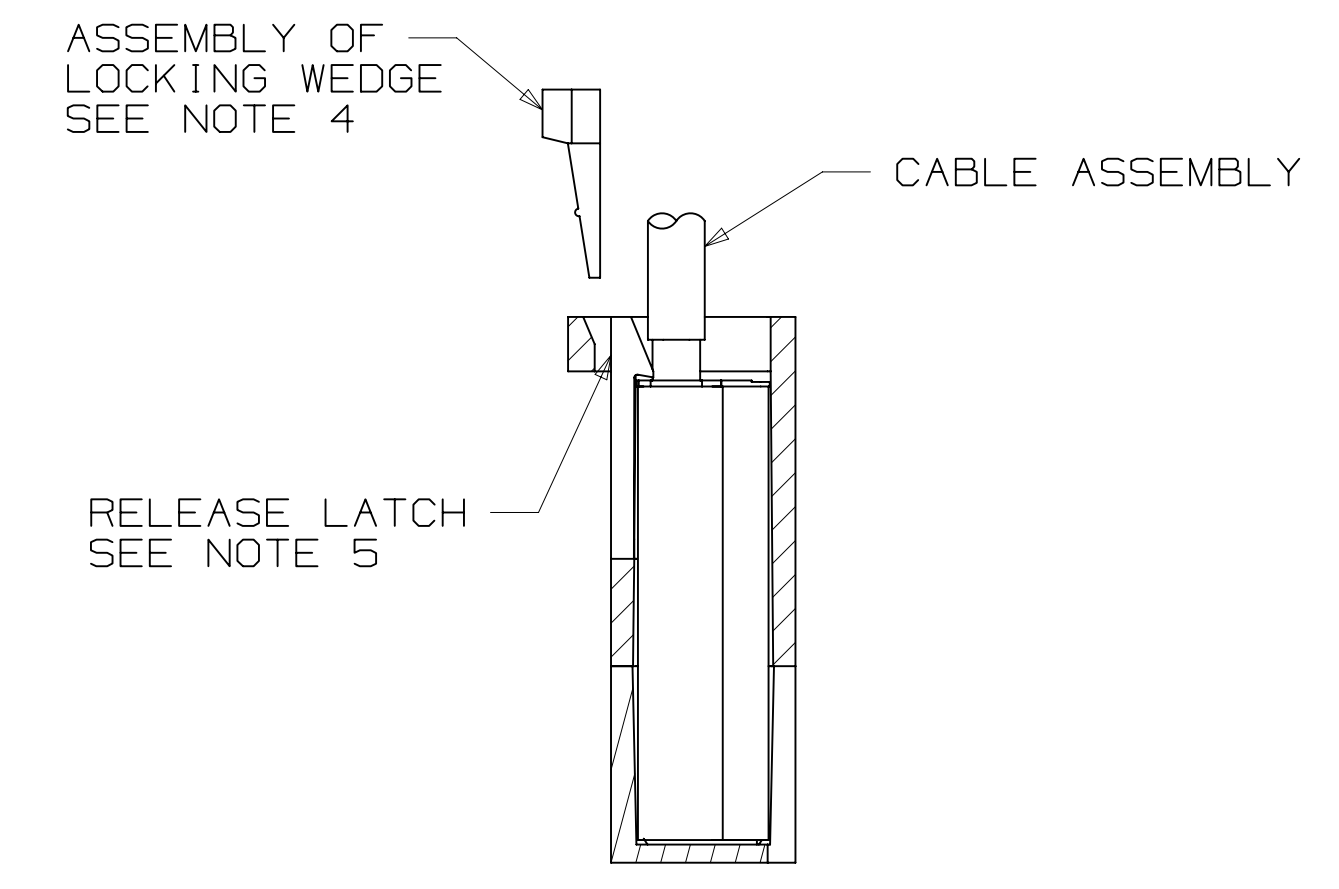
2 ROW CARRIER HOUSING

98XX - XXXX

CONTACT QTY. SEE TABLE 1

MOLDED RETENTION FEATURE:
MO = NORMAL
MR = REVERSE

CARRIER STYLE:
PS = CENTERBUMP, SHORT LATCHES
NS = NO CENTERBUMP, SHORT LATCHES
PL = CENTERBUMP, LONG LATCHES
NL = NO CENTERBUMP, LONG LATCHES



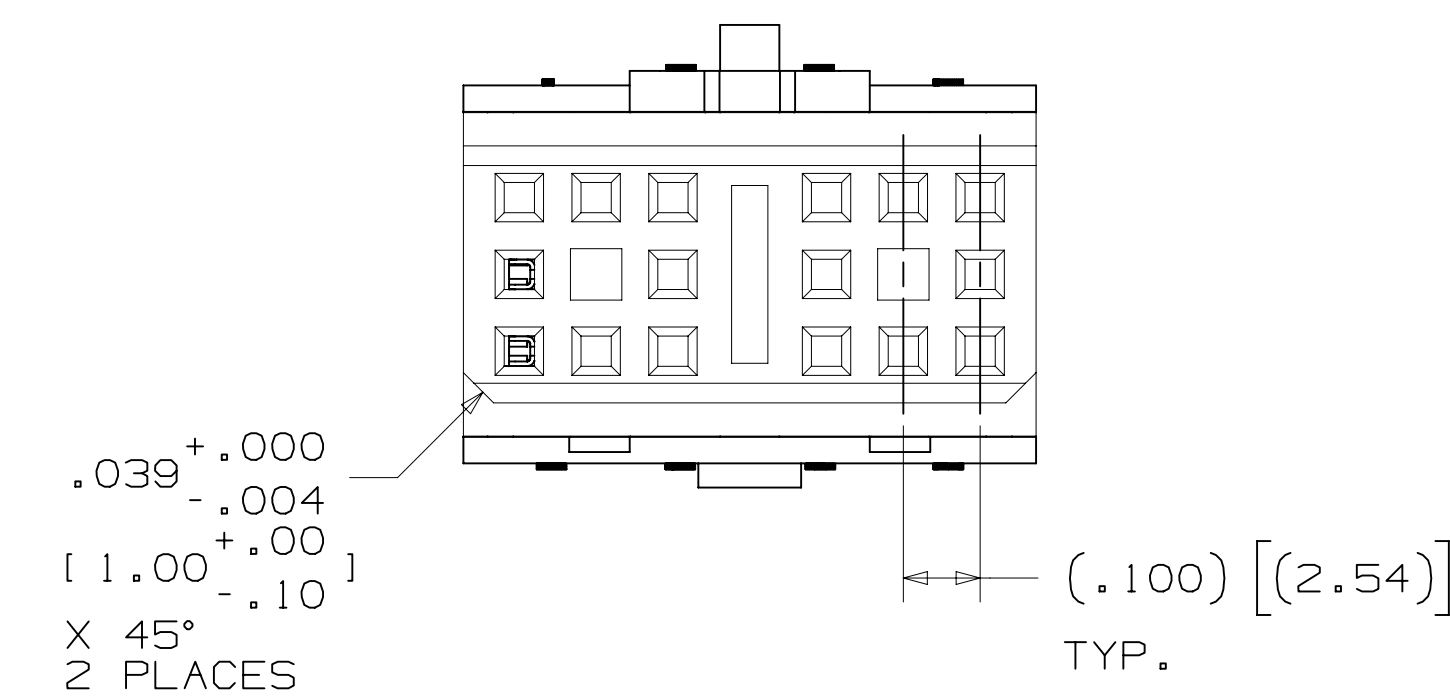
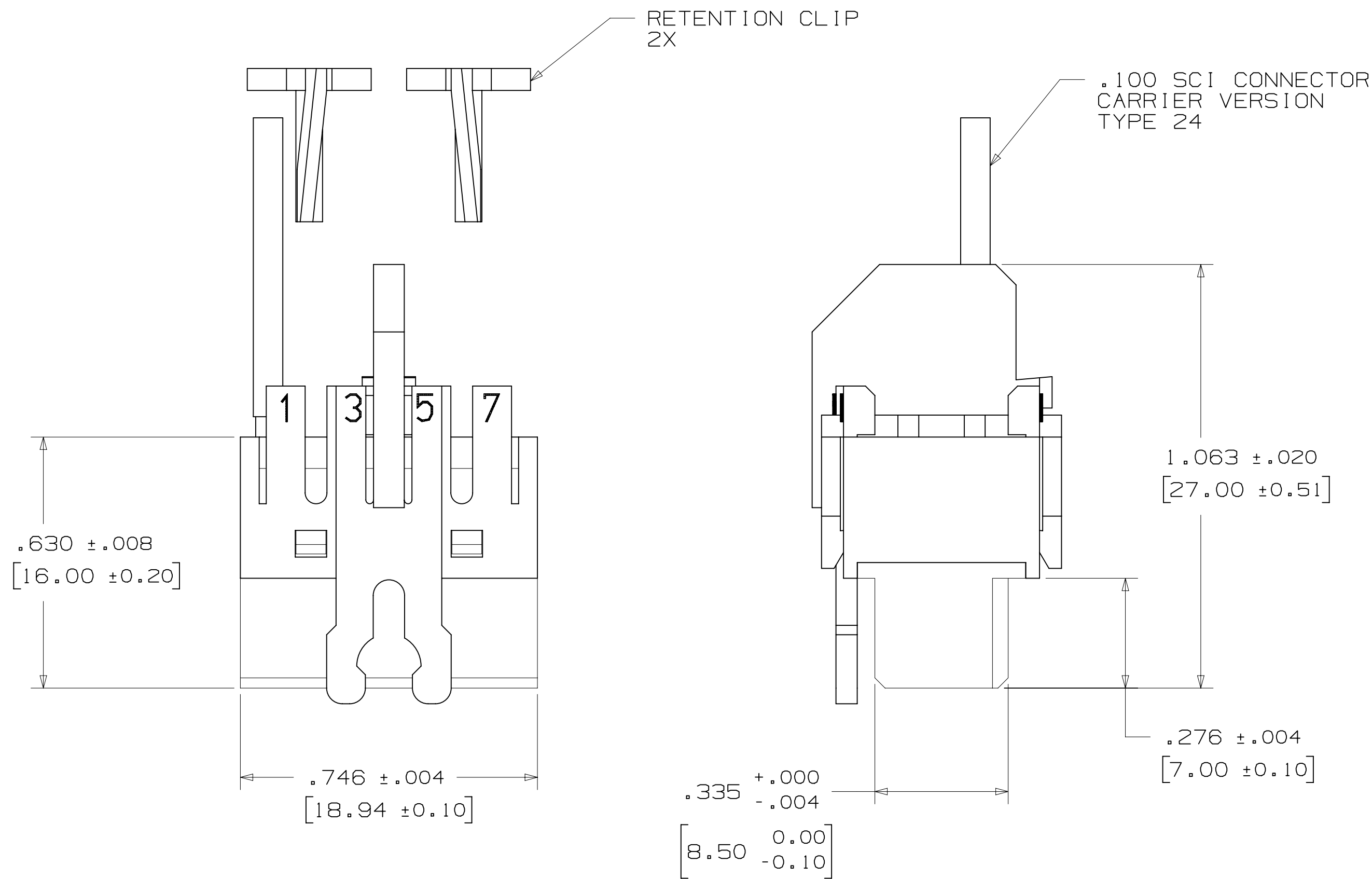
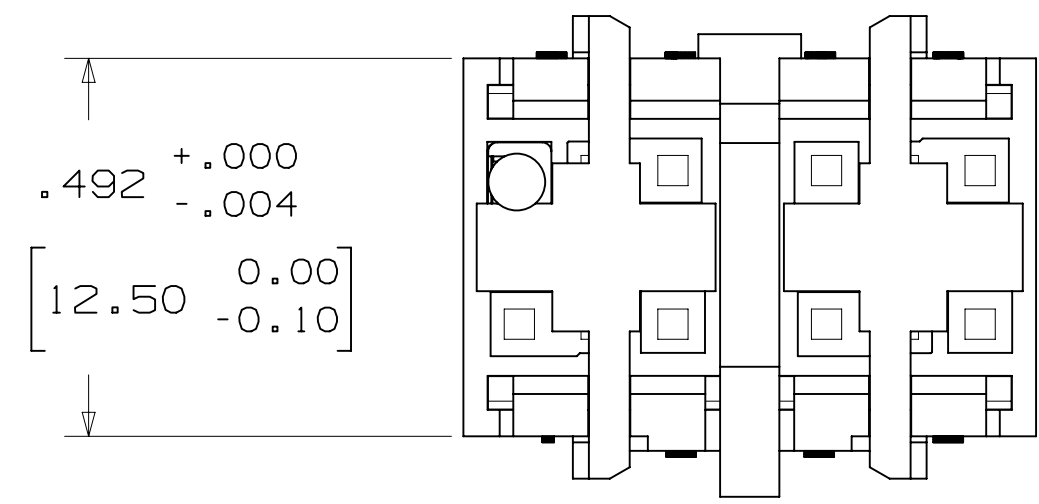
DESIGN REFERENCE	NEXT ASSEMBLY	REV	ECO	ISSUE DATE AND DESCRIPTION	DRFT	CHKD
				JAN 03, 2013	JNC	RS
DIVISION		DIVISION CODE		DATE		
Interconnect Solutions		ISD		JAN 03, 2013		
DO NOT SCALE DRAWING		TOLERANCES EXCEPT AS NOTED		DATE		
THIRD ANGLE PROJECTION		INCHES		DATE		
INTERPRET PER ASME Y14.5 - 1994		MILLIMETERS		DATE		
MAX SURFACE ROUGHNESS		INCHES		DATE		
UNFINISHED SURFACES		MILLIMETERS		DATE		
MARKED ONLY		ANGLES		DATE		

B 44714 JAN 03, 2013 JNC RS
 REV ECO ISSUE DATE AND DESCRIPTION DRFT CHKD
 CASTIGLIONE JAN 03, 2013 MFG DATE
 R. SCHERER JAN 03, 2013 APPR DATE
 © 3M COPYRIGHT 2013
 This document and the information it contains are 3M property and may not be reproduced or further distributed without 3M permission, or used or disclosed other than for 3M authorized purposes. All rights reserved.
 TITLE
 ASSEMBLY HARDWARE, .100 SCI CARRIER
 CAGE NUMBER D 78-5100-0802-8 REV. B
 MODEL
 DET. 11515 YES NO SHT 2 OF 3

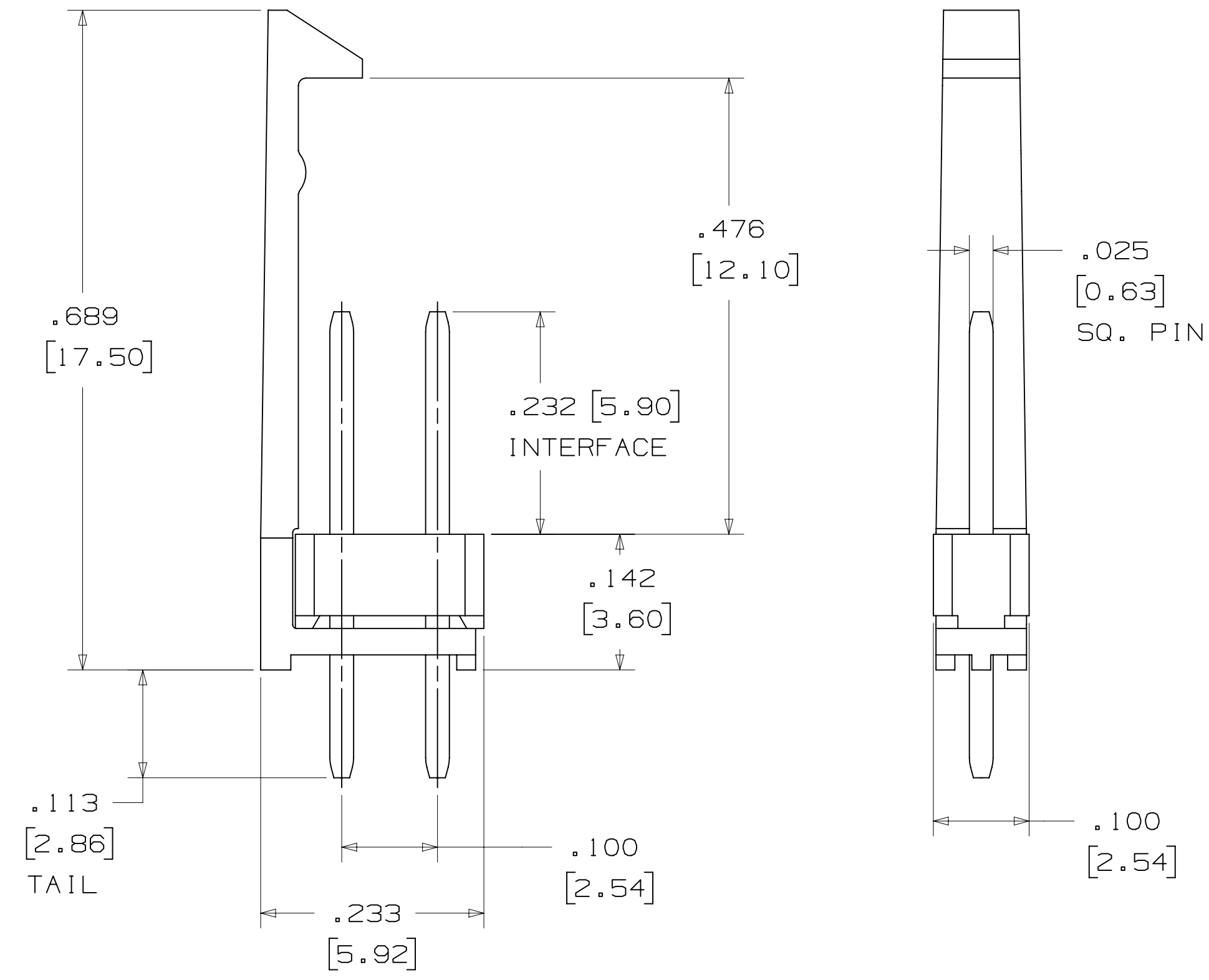
78-5100-0802-8

3M™ SHIELDED CONTROLLED IMPEDANCE (SCI)

.100" ASSEMBLY HARDWARE



ORDERING INFORMATION
3 X 7 CARRIER HOUSING
9821-5000



ORDERING INFORMATION
PIN STRIP WITH LATCH
2402-3505 RC

DESIGN REFERENCE	NEXT ASSEMBLY	REV	ECO	ISSUE DATE AND DESCRIPTION	DRFT	CHKD
				JAN 03, 2013	JNC	RS
DIVISION		DIVISION CODE		DATE		
Interconnect Solutions		ISD		JAN 03, 2013		
DO NOT SCALE DRAWING		TOLERANCES EXCEPT AS NOTED		DATE		
THIRD ANGLE PROJECTION		INCHES		DATE		
INTERPRET PER ASME Y14.5 - 1994		MILLIMETERS		DATE		
MAX SURFACE ROUGHNESS		SURFACES		DATE		
MARKED ONLY		ANGLES		DATE		
CAGE NUMBER		SIZE	DRAWING NO.	REV.		
D78-5100-0802-8				B		
MODEL		TITLE		SHT 3 OF 3		
		ASSEMBLY HARDWARE, .100 SCI CARRIER				