



Chipsmall Limited consists of a professional team with an average of over 10 year of expertise in the distribution of electronic components. Based in Hongkong, we have already established firm and mutual-benefit business relationships with customers from,Europe,America and south Asia,supplying obsolete and hard-to-find components to meet their specific needs.

With the principle of “Quality Parts,Customers Priority,Honest Operation,and Considerate Service”,our business mainly focus on the distribution of electronic components. Line cards we deal with include Microchip,ALPS,ROHM,Xilinx,Pulse,ON,Everlight and Freescale. Main products comprise IC,Modules,Potentiometer,IC Socket,Relay,Connector.Our parts cover such applications as commercial,industrial, and automotives areas.

We are looking forward to setting up business relationship with you and hope to provide you with the best service and solution. Let us make a better world for our industry!



Contact us

Tel: +86-755-8981 8866 Fax: +86-755-8427 6832

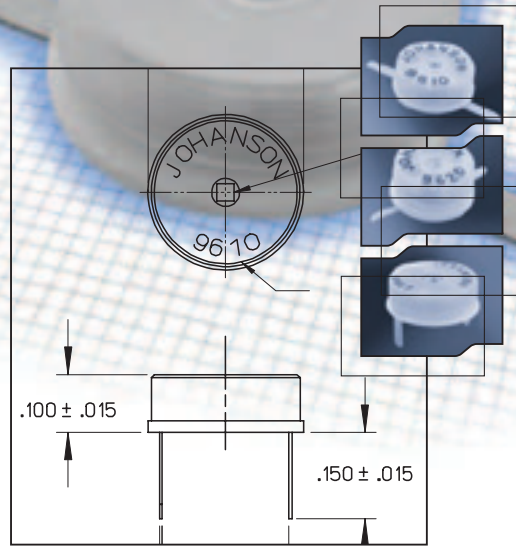
Email & Skype: info@chipsmall.com Web: www.chipsmall.com

Address: A1208, Overseas Decoration Building, #122 Zhenhua RD., Futian, Shenzhen, China



SEAL-TRIM

Our Seal-Trims are also built around the Thin-Trim capacitors. These capacitors are encased in a high performance polymer housing that is wave solderable and protects the trimmer from contamination.



APPLICATIONS

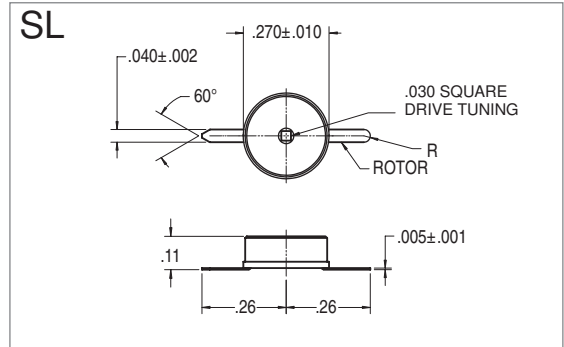
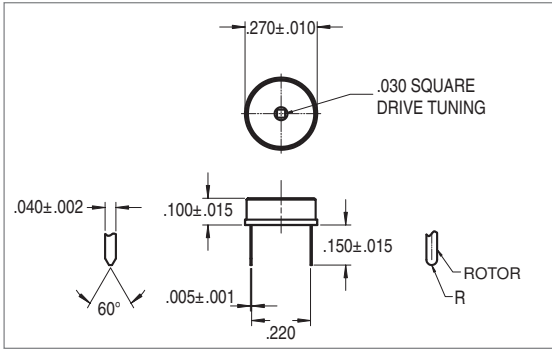
- RF amplifier
- LC Filters and Networks
- Broadband Wireless LAN
- Medical Devices
- Cordless and Cellular phones
- DR/Crystal Oscillator
- Microstrip line filters

CHARACTERISTICS

- Working Voltage: 250 VDC (500 VDC Test)
- Long Rotational life
- Insulation Resistance: $> 10^4$ M Ω
- Temperature Range: -55°C to +125°C
- RoHS Compliant parts available

SERIES	DISK SIZE	CAPACITANCE AVAILABLE	TUNING RESOLUTION
9610/9810	.270" (6.86 mm)	1 to 50 pF	180°
9620/9820	.180" (4.57 mm)	.5 to 25 pF	180°

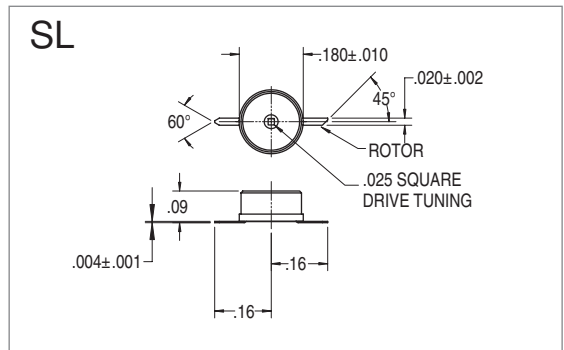
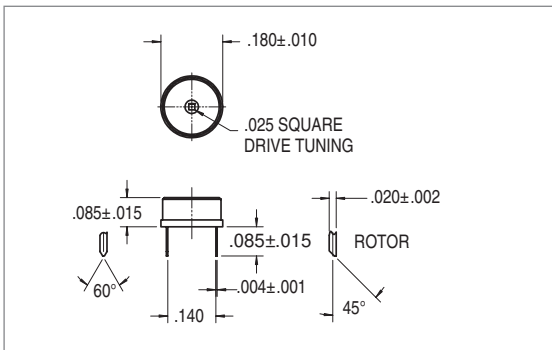
9610 SERIES TUNING TOOL: 4193



JMC P/N	RANGE PF	MIN Q @ 100MHZ
9610	1.5 TO 4.5	>1000
9611	2.5 TO 10.0	>1000
9612	4.0 TO 18.0	>700
9613	6.0 TO 35.0	>200
9614	7.0 TO 40.0	>200
9615	5.0 TO 25.0	>200
9616	8.0 TO 50.0	>200

ROHS	Pb	RANGE PF	MIN Q @ 100MHZ
9810	9810SL	1.5 TO 4.5	>1000
9811	9811SL	2.5 TO 10.0	>1000
9812	9812SL	4.0 TO 18.0	>700
9813	9813SL	6.0 TO 35.0	>200
9814	9814SL	7.0 TO 40.0	>200
9815	9815SL	5.0 TO 25.0	>200
9816	9816SL	10.5 TO 50.0	>200

9620 SERIES TUNING TOOL: 4192



JMC P/N	RANGE PF	MIN Q @ 100MHZ
9620	0.5 TO 2.5	>1000
9621	1.0 TO 5.0	>1000
9622	2.5 TO 10.0	>1000
9626	8.5 TO 25.0	>300
9628	5.0 TO 15.0	>750
9629	7.5 TO 18.0	>500

ROHS	Pb	RANGE PF	MIN Q @ 100MHZ
9820	9820SL	0.5 TO 2.5	>1000
9821	9821SL	1.0 TO 5.0	>1000
9822	9822SL	2.5 TO 10.0	>1000
9826	9826SL	8.5 TO 25.0	>300
9828	9828SL	5.0 TO 15.0	>750
9829	9829SL	7.5 TO 18.0	>500

