



Chipsmall Limited consists of a professional team with an average of over 10 year of expertise in the distribution of electronic components. Based in Hongkong, we have already established firm and mutual-benefit business relationships with customers from,Europe,America and south Asia,supplying obsolete and hard-to-find components to meet their specific needs.

With the principle of “Quality Parts,Customers Priority,Honest Operation,and Considerate Service”,our business mainly focus on the distribution of electronic components. Line cards we deal with include Microchip,ALPS,ROHM,Xilinx,Pulse,ON,Everlight and Freescale. Main products comprise IC,Modules,Potentiometer,IC Socket,Relay,Connector.Our parts cover such applications as commercial,industrial, and automotives areas.

We are looking forward to setting up business relationship with you and hope to provide you with the best service and solution. Let us make a better world for our industry!



Contact us

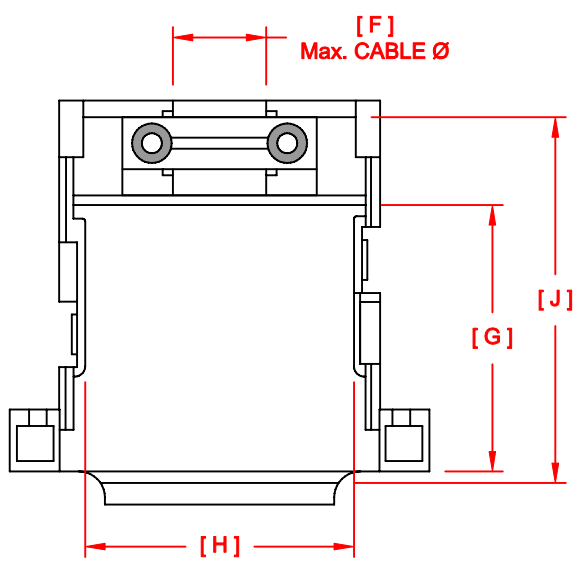
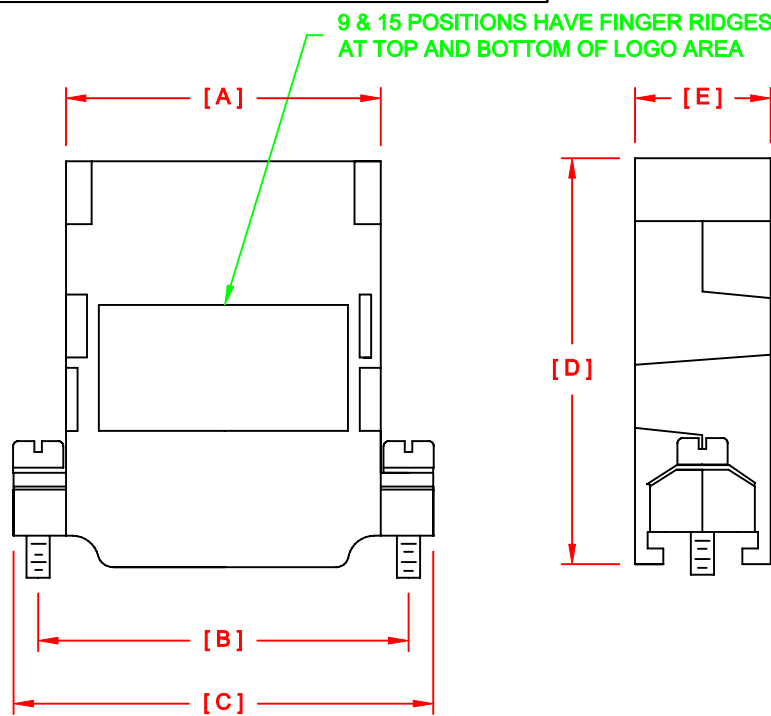
Tel: +86-755-8981 8866 Fax: +86-755-8427 6832

Email & Skype: info@chipsmall.com Web: www.chipsmall.com

Address: A1208, Overseas Decoration Building, #122 Zhenhua RD., Futian, Shenzhen, China



DESCRIPTION: 983 SERIES D-SUB BACKSHELL



No. OF PINS	DIMENSIONS								
	A	B	C	D	E	F	G	H	J
9	0.783	0.984	1.252	1.929	0.654	0.270	1.285	0.546	1.737
	19.88	24.99	31.80	49.00	16.60	6.86	32.64	13.87	44.13
15	1.089	1.312	1.567	1.929	0.654	0.450	1.285	0.837	1.731
	27.66	33.32	39.80	49.00	16.60	11.43	32.65	21.26	43.97
25	1.652	1.852	2.122	1.925	0.654	0.470	1.270	1.403	1.739
	41.95	47.04	53.90	48.90	16.60	11.94	32.25	35.64	44.16
37	2.278	2.500	2.756	1.940	0.654	0.470	1.300	2.030	1.726
	57.86	63.50	70.00	49.28	16.60	11.94	33.02	51.55	43.84
50	2.200	2.406	2.670	1.950	0.781	0.540	1.293	1.932	1.746
	55.88	61.11	67.82	49.53	19.84	13.72	32.85	49.07	44.35

ALL TOLERANCES = ±0.016 [±0.40]
UNLESS OTHERWISE INDICATED

MATERIAL: THERMOPLASTIC,
UL 94V-0, BLACK OR GRAY
IF PLATED : NICKEL OVER COPPER

983-YYY-0Y0RYY1

SERIES _____
POSITIONS _____
009
015
025
037
050
MATERIAL _____
010 = PLASTIC
020 = METALIZED PLASTIC
COLOR _____
01 = BLACK
03 = GRAY
12 = NICKEL OVER COPPER
PUT-UPS _____
1 = KIT
2 = BULK

BACKSHELL KIT INCLUDES:

- 2 - BACKSHELL HALVES
- 1 - YOKE
- 2 - STRAIN RELIEF CLAMPS
- 2 - STRAIN RELIEF SCREWS
- 2 - SADDLE WASHERS
- 2 - 4-40 MOUNTING SCREWS (ROUND HEAD)

DO NOT SCALE FROM DRAWING

	THESE DRAWINGS AND SPECIFICATIONS ARE THE PROPERTY OF NorComp AND SHALL NOT BE REPRODUCED, COPIED OR USED AS THE BASIS FOR THE MANUFACTURE OR SALE OF APPARATUS WITHOUT WRITTEN PERMISSION.	DRAWN: PAM JENKINS CHECKED:	DATE: 07-28-05 DATE:
		SCALE: NTS SHEET 1 OF 1 REV 6	DWG NO. 983-YYY-0Y0RYY1

RoHS COMPLIANT