



Chipsmall Limited consists of a professional team with an average of over 10 year of expertise in the distribution of electronic components. Based in Hongkong, we have already established firm and mutual-benefit business relationships with customers from,Europe,America and south Asia,supplying obsolete and hard-to-find components to meet their specific needs.

With the principle of “Quality Parts,Customers Priority,Honest Operation,and Considerate Service”,our business mainly focus on the distribution of electronic components. Line cards we deal with include Microchip,ALPS,ROHM,Xilinx,Pulse,ON,Everlight and Freescale. Main products comprise IC,Modules,Potentiometer,IC Socket,Relay,Connector.Our parts cover such applications as commercial,industrial, and automotives areas.

We are looking forward to setting up business relationship with you and hope to provide you with the best service and solution. Let us make a better world for our industry!



Contact us

Tel: +86-755-8981 8866 Fax: +86-755-8427 6832

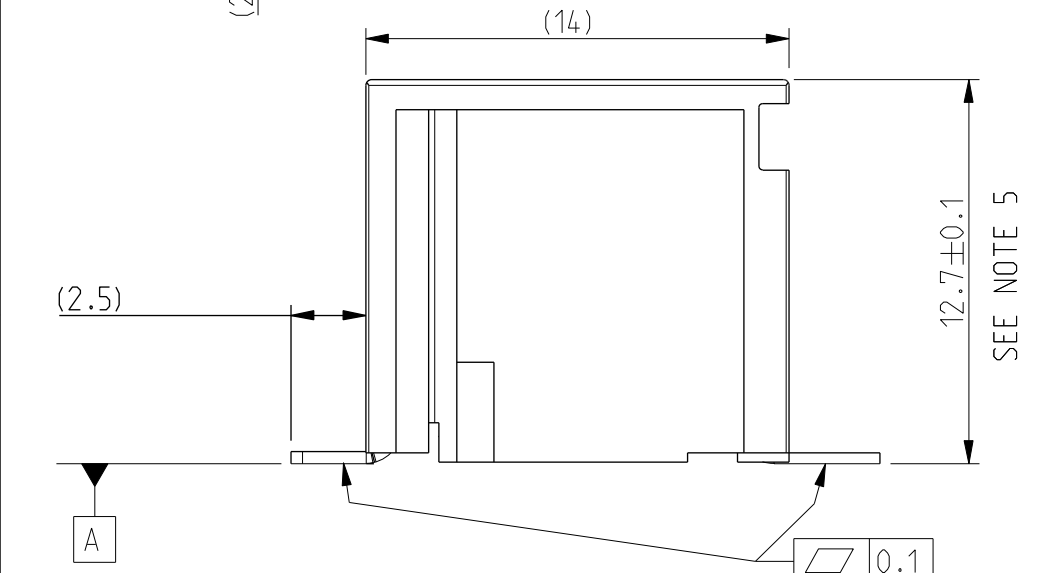
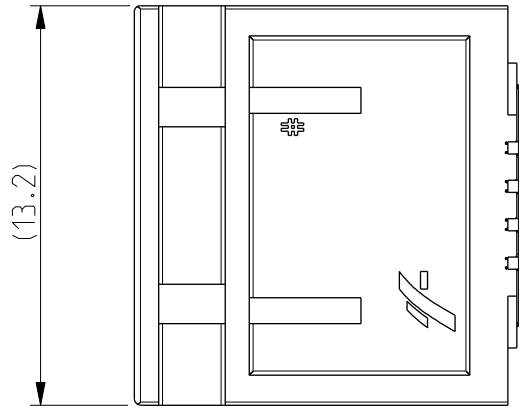
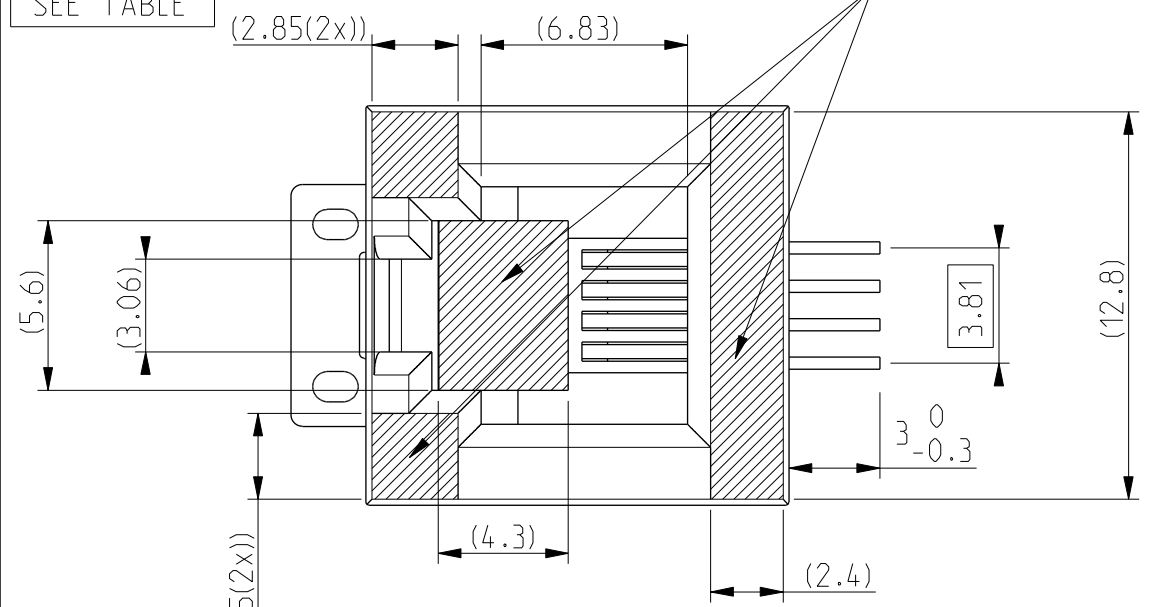
Email & Skype: info@chipsmall.com Web: www.chipsmall.com

Address: A1208, Overseas Decoration Building, #122 Zhenhua RD., Futian, Shenzhen, China



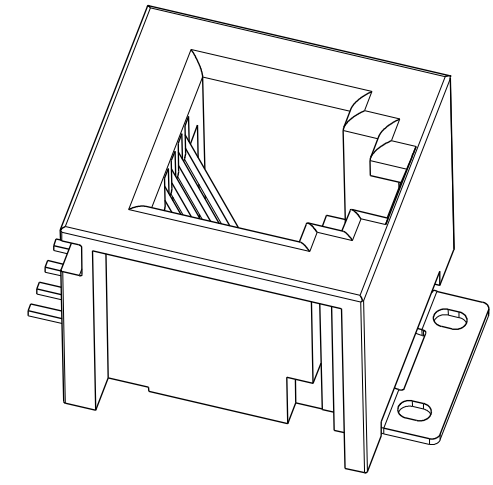
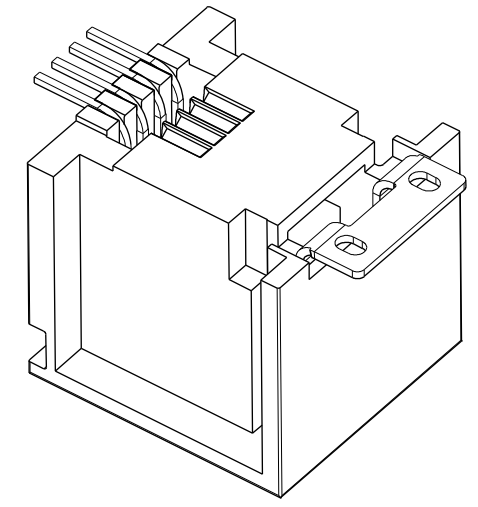
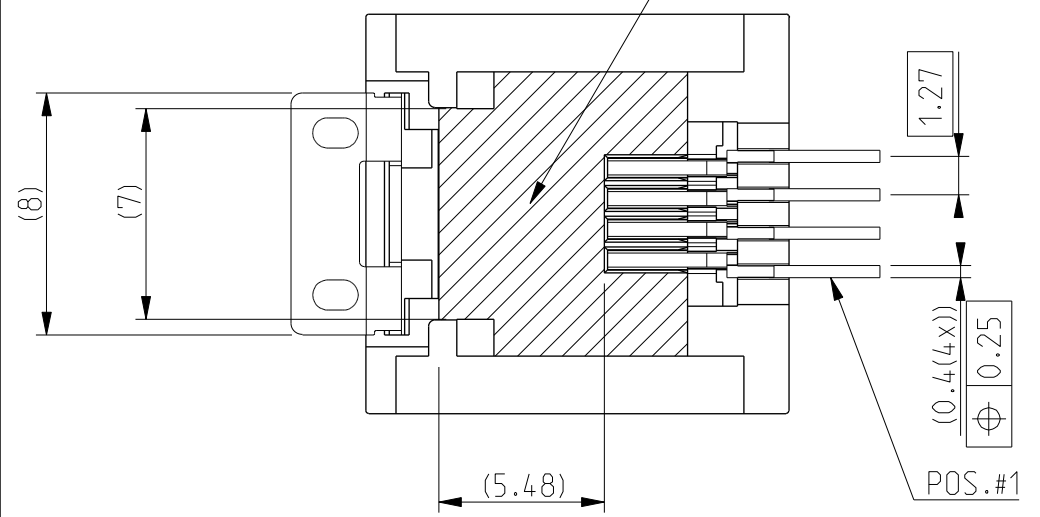
PRODUCT N°
SEE TABLE

SEE NOTE 3



REFERENCE PLAN DEFINED BY THE BEARING SURFACE

SEE NOTE 3



Copyright FCI.

| | | | | | | | | | | | |
|---------------------------------------|-------------------------------|-------------|---------------|-------------|---------------|------------------------|----------------|-----------------------|-----------|-----|----------|
| spec ref | - | dr | A Parrenin | 2002/09/19 | projection | mm | size | A3 | scale | 4:1 | |
| tolerance std | ±0.13 ±2° | eng | J Dalbard | 2016/02/01 | | | ecn no | ELX-B-16041-1 | rel level | | Released |
| TOLERANCES UNLESS OTHERWISE SPECIFIED | | chr | J Dalbard | 2016/02/01 | | | product family | MODULAR JACK | | | |
| surface | ISO 1302 | appr | Aymeric Soudy | 2016/02/08 | | | dwg no | 98431 | rev | N | |
| linear | 0.X ±Y 0.XX ±Y 0.XXX ±Y | www.fci.com | | cat. no. | 98431-XXX(LF) | Product - Customer Drw | | sheet 1 of 2 | | | |
| angular | 0° ±Y° | | | PDS: Rev :N | | STATUS:Released | | Printed: Feb 09, 2016 | | | |

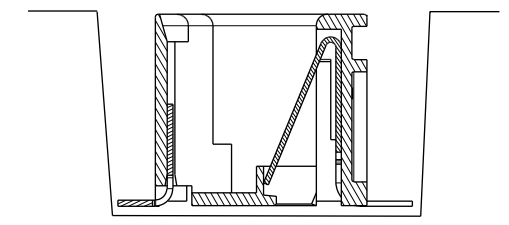
PRODUCT N°
98431-XXXLF

| CONTACT PLATING OPTION |
|------------------------|
| 1= GXT 0.76 μm |
| 3= 0.76 μm GOLD |
| 5= 1.27 μm GOLD |
| 7= GXT 0.15 μm |

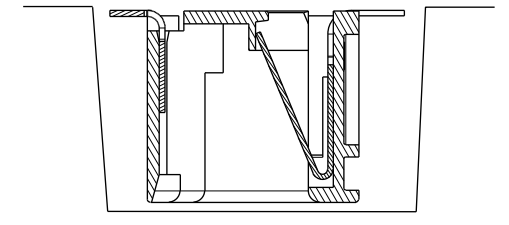
| PACKAGE OPTIONS | VERSION |
|----------------------------------------------|---------|
| TAPE AND REEL PACKAGE 1= LOADED FACE UP | TOP |
| TAPE AND REEL PACKAGE 2= LOADED FACE DOWN | BOTTOM |

| TERMINAL LOADING OPTIONS |
|--------------------------|
| 1= FULLY LOADED |

WHEN NEEDED, SUFFIX LETTER "LF" INDICATES THE PRODUCT IS RoHS COMPATIBLE SEE NOTE 7.



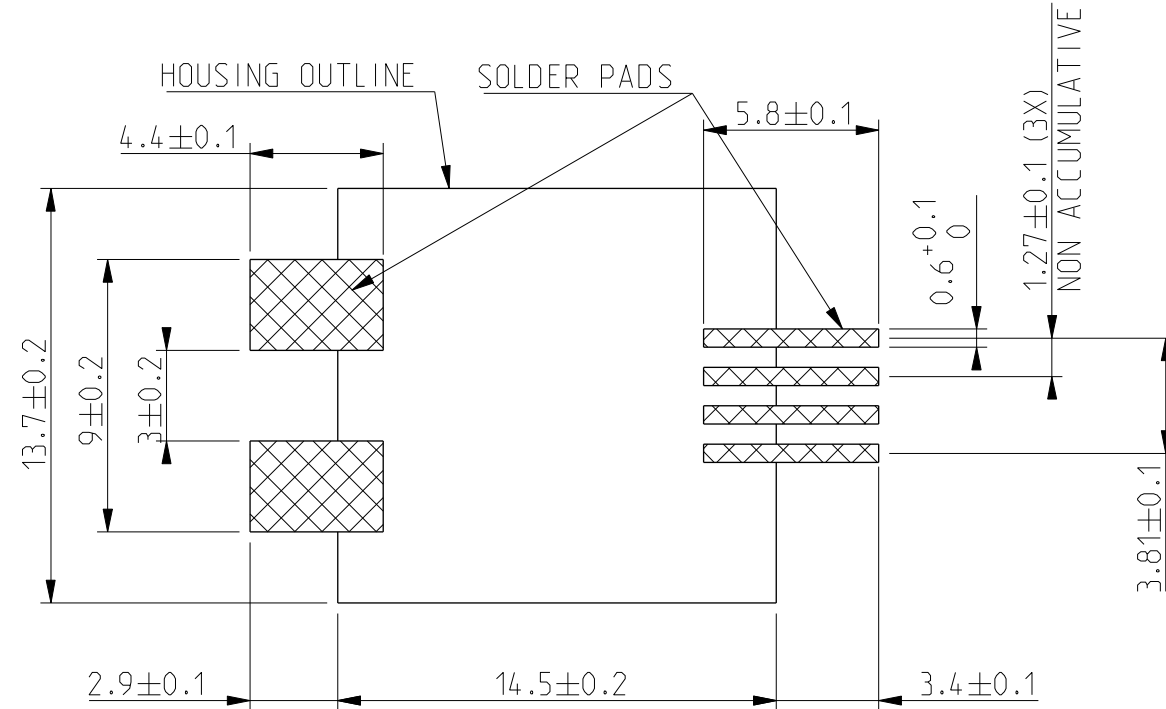
TOP VERSION



BOTTOM VERSION

NOTES:

- 1 - MATERIAL:
HOUSING: HIGH TEMP. PLASTIC, COLOR BLACK
TERMINAL PHOSPHOR BRONZE
- 2 - PLATING
CONTACT AREA: OPTIONAL SEE TABLE
SOLDER TAIL: SnPb 90/10 2 μm MIN
- NO RAW EDGES EXEPT SOLDER TAILS TIPS
- 3 - AREA FOR VACUUM PICK AND PLACE VENTURY
- 4 - PACKAGING SPECIFICATION SEE TA 858
- 5 - DIMENSION MEASURED FROM "A" TO THE TOP OF PRODUCT
- 6 - COPLANARITY SEE TA 861.
- 7 - RoHS COMPATIBLE PRODUCT SPECIFICATIONS
- a - PLATING:
- "LF" MEANS THE PRODUCT IS LEAD-FREE,
2 μm MINIMUM MATTE TIN OVER 1.27 μm
MINIMUM NICKEL UNDERPLATE.
- b - MANUFACTURING PROCESS COMPATIBILITY:
- THE HOUSING WILL WITHSTAND EXPLOSURE TO
245 °C PEAK TEMPERATURE FOR 30 SECONDS
MAX IN A CONVECTION, INFRA-RED OR VAPOR
PHASE OR REFLOW OVEN.
- c - LABELLING:
- MEETS PACKAGING SPECS AS PER GS-14-920.
- d - LEGAL STATEMENT: SEE GS-22-008



RECOMMENDED PCB FOOTPRINT

| | | | | | | | | | | | |
|---------------|-----------------------------------------|------|---------------|------------|--------------------------|----|----------------|---------------|---------------|------------------------|--------------|
| spec ref | - | dr | A Parrenin | 2002/09/19 | projection | mm | size | A3 | scale | 5:1 | |
| tolerance std | ±0.13 ±2° | eng | J Dalbard | 2016/02/01 | | | ecn no | ELX-B-16041-1 | | | |
| surface | linear 0.X ±Y 0.XX ±Y 0.XXX ±Y | chr | J Dalbard | 2016/02/01 | | | product family | MODULAR JACK | rel level | Released | |
| | | appr | Aymeric Soudy | 2016/02/08 | | | www.fci.com | cat. no. | 98431-XXX(LF) | Product - Customer Drw | sheet 2 of 2 |
| ISO 1302 | angular 0° ±Y° | | | title | VERTICAL SMT 4 POSITIONS | | | dwg no | 98431 | rev | N |

