



Chipsmall Limited consists of a professional team with an average of over 10 year of expertise in the distribution of electronic components. Based in Hongkong, we have already established firm and mutual-benefit business relationships with customers from,Europe,America and south Asia,supplying obsolete and hard-to-find components to meet their specific needs.

With the principle of “Quality Parts,Customers Priority,Honest Operation,and Considerate Service”,our business mainly focus on the distribution of electronic components. Line cards we deal with include Microchip,ALPS,ROHM,Xilinx,Pulse,ON,Everlight and Freescale. Main products comprise IC,Modules,Potentiometer,IC Socket,Relay,Connector.Our parts cover such applications as commercial,industrial, and automotives areas.

We are looking forward to setting up business relationship with you and hope to provide you with the best service and solution. Let us make a better world for our industry!



Contact us

Tel: +86-755-8981 8866 Fax: +86-755-8427 6832

Email & Skype: info@chipsmall.com Web: www.chipsmall.com

Address: A1208, Overseas Decoration Building, #122 Zhenhua RD., Futian, Shenzhen, China



PRODUCT NUMBER
98464-X61-XX-XXXLF

RoHS COMPATIBLE, SEE NOTE 8
POLARIZATION (SEE NOTE 7)
PACKAGING OPTIONAL LETTER (SEE NOTE 5)
TOTAL NB OF POSITIONS, 04 TO 50
COLOR OPTION, NOTE 1

PLATING
S = 0.38µm GOLD/GXT ON CONTACT AREA
2µm MIN MATTE TIN ON TAIL
G = 0.76µm GOLD/GXT ON CONTACT AREA
2µm MIN MATTE TIN ON TAIL
F = GOLD FLASH ON CONTACT AREA
2µm MIN MATTE TIN ON TAIL
T = 2.0-5.0µm TIN FULL PLATED
1.27µm Ni MIN UNDERPLATING

NOTES:

- MATERIAL HOUSING: HIGH TEMP. THERMOPLASTIC UL 94V-0
- = STANDARD COLOR CREAM
B = OPTIONAL COLOR BLACK
- MATERIAL TERMINAL: COPPER ALLOY
- TO DETERMINE DIMENSIONS:
N = NUMBER OF POSITIONS PER ROW
- 7N MIN. PIN RETENTION IN EITHER DIRECTION.
- PACKAGING:
= STANDARD PACKAGING IN POLYBAGS
- = POLYBAGS WHEN POLARISATION FEATURE APPLICABLE
U = TUBE AVAILABLE FROM 06 TO 50 POS
- DIM "C" = (N x 2) + 1.4
EXAMPLE: N = 7
DIM "C" = (7 x 2) + 1.4 = 15.4 mm
- FOR POLARIZATION, SPECIFIED PIN
EXAMPLE: A03= ROW A, POSITION 03 TO OMIT PIN
OMIT FROM PRODUCT NUMBER IF THIS FEATURE IS NOT APPLICABLE
- RoHS COMPATIBLE PRODUCT SPECIFICATIONS

a - PLATING:

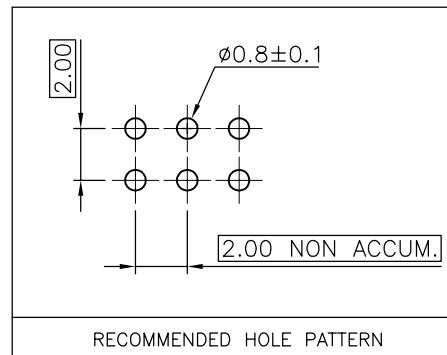
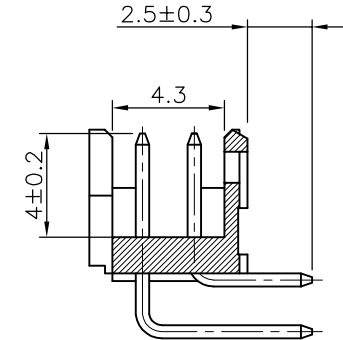
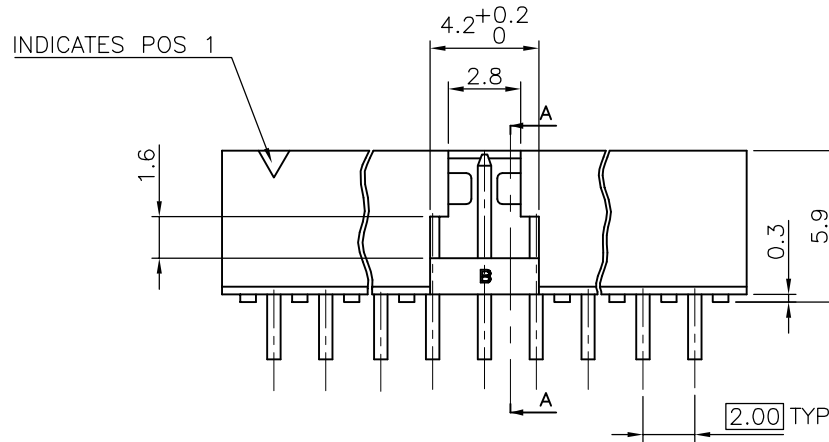
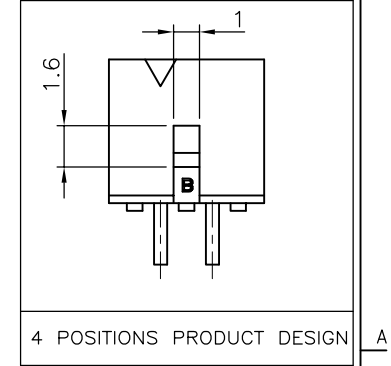
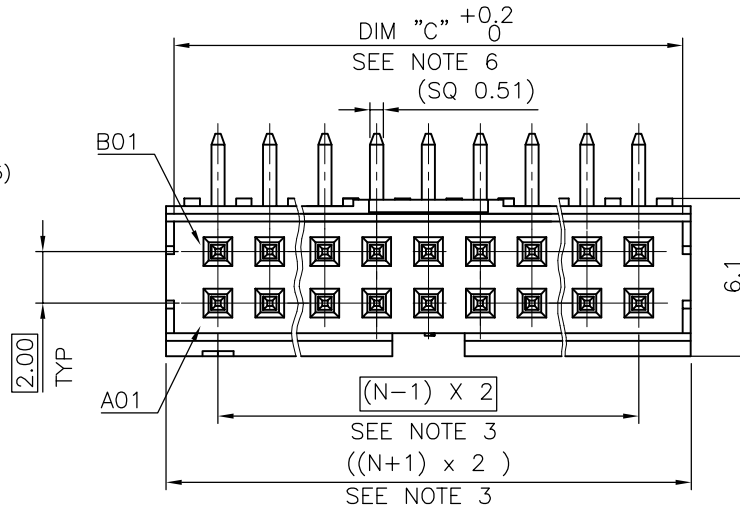
- "LF" MEANS THE PRODUCT IS LEAD-FREE,
2µm MINIMUM MATTE TIN OVER 1.27µm
MINIMUM NICKEL UNDERPLATE.

b - MANUFACTURING PROCESS COMPATIBILITY

- THE HOUSING WILL WITHSTAND EXPOSURE TO
260°C ±5°C SOLDER BATH TEMPERATURE FOR
5 SECONDS IN A WAVE SOLDER APPLICATION
WITH A 1.6mm MIN THICK CIRCUIT BOARD.

c - LABELLING:

- MEETS PACKAGING SPECS AS PER GS-14-920
- THIS PRODUCT MEETS EUROPEAN DIRECTIVES
AND OTHER COUNTRY REGULATIONS AS DISCRIBED
IN GS-47-0004



mat'l. code SEE NOTES		surface ISO 1302	tolerance ISO 406 ISO 1101	projection mm	product family MINITEK
ltr	ecn no	dr	date	tolerances unless otherwise specified	title
L	B-15815	JCO	13.09.11	X.X ±0.3	SHR HEADER
M	B-19190	LMU	14.10.24	X.XX ±0.13	2.00 RIGHT ANGLE TMT
N	B-19797	AMA	14.12.16	X.XXX ±0.05	scale 1:1
P	B-19988	LMU	15.01.13	dr L.MULIN 04.09.27	dwg no
R	B-20254	LMU	15.02.16	engr J.COMPAGNON 04.09.27	sheet 1 of 1 size
K	F12-0088	JCO	12.07.23	chr J.M.C 04.09.27	98464 A3
sheet	revision			appd	type
index	sheet				CUSTOMER Drawing