



Chipsmall Limited consists of a professional team with an average of over 10 year of expertise in the distribution of electronic components. Based in Hongkong, we have already established firm and mutual-benefit business relationships with customers from,Europe,America and south Asia,supplying obsolete and hard-to-find components to meet their specific needs.

With the principle of “Quality Parts,Customers Priority,Honest Operation,and Considerate Service”,our business mainly focus on the distribution of electronic components. Line cards we deal with include Microchip,ALPS,ROHM,Xilinx,Pulse,ON,Everlight and Freescale. Main products comprise IC,Modules,Potentiometer,IC Socket,Relay,Connector.Our parts cover such applications as commercial,industrial, and automotives areas.

We are looking forward to setting up business relationship with you and hope to provide you with the best service and solution. Let us make a better world for our industry!



Contact us

Tel: +86-755-8981 8866 Fax: +86-755-8427 6832

Email & Skype: info@chipsmall.com Web: www.chipsmall.com

Address: A1208, Overseas Decoration Building, #122 Zhenhua RD., Futian, Shenzhen, China

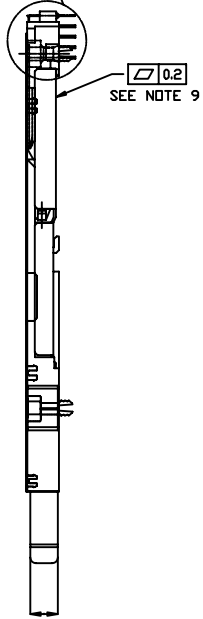
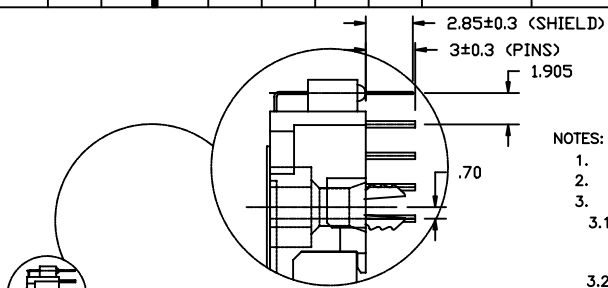
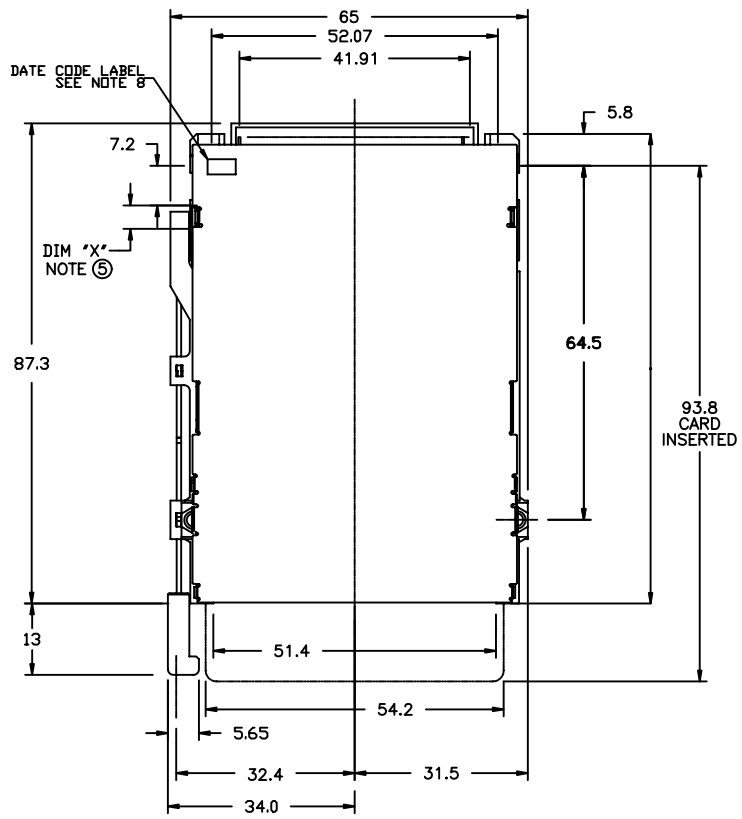


FCI CONFIDENTIAL



This document is the property of and embodies CONFIDENTIAL and PROPRIETARY information of FCI. No part of the information shown on this document may be used in any way or disclosed to others without the written consent of FCI. Copyright FCI.

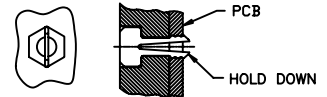
PRODUCT NO.
98545-100CAH
98545-100CAHLF



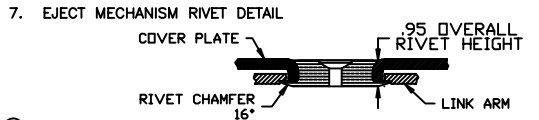
- NOTES:
- 8mm MIN CARD EJECT.
 - PUSH-ROD TRAVEL: 9.5mm
 - MATERIAL:
 - HEADER ASSY:
PLASTIC HOUSING: LCP UL94V-0 BLACK - ABOVE PCB
PIN: PHOSPHOR BRONZE
 - EJECT MECHANISM ASSY:
PLASTIC GUIDE: POLYPHTHARAMID UL94V-0 BLACK
PLASTIC PUSH-ROD BUTTON: POLYPHTHARAMID UL94V-0 BLACK
COVER PLATE, EJECT PLATE, LINK ARM,
PUSH ROD: STAINLESS STEEL
EMI CONTACT: PHOSPHOR BRONZE
 - FINISH (PIN)
UNDER PLATING: 0.5um MIN Ni
CONTACT AREA: 0.1um MIN GOLD OVER
0.5um MIN Pd-Ni
SOLDER TAIL: 2.5umMIN Sn-Pb
SOLDER TAIL(IF LF P/N): 2.5umMIN PURE Sn

⑤ DIM "X"

4.25±0.1	3.5±0.1	5.0±0.1
OTHERS	36,67	1,17,34,35,51,68



4 PER ASSEMBLY

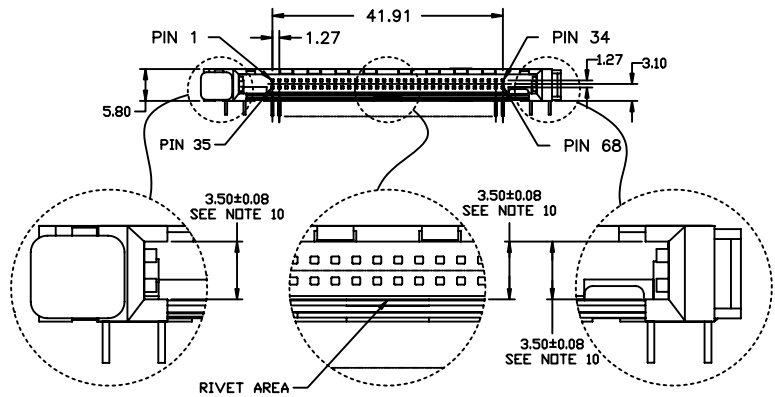


⑥ DATE CODE = ABBC
DAY OF WEEK
WEEK
YEAR
EXAMPLE: 1043=3rd DAY OF 4th WEEK OF 2001

⑨ FLATNESS 0.2mm OVER THIS EJECT MECHANISM COVER PLATE SURFACE.

⑩ CHECK INTERNAL CLEARANCE FOR CARD AT THIS LOCATION.

- IF LEAD FREE P/N, THE HOUSING WILL WITHSTAND EXPOSURE TO 260° C PEAK TEMPERATURE FOR 10 SECONDS IN A WAVE SOLDER APPLICATION WITH A 1.00MM MINIMUM THICK CIRCUIT BOARD.
- LEAD FREE PRODUCT MEETS EUROPEAN UNION DIRECTIVES AND OTHER COUNTRY REGULATIONS AS DISCRIBED IN GS-22-008



mat'l. code		surface	tolerance	projection	product family	CARDBUS
ltr		ISO 1302	ISO 406 ISO 1101		title	
A	V91874	CGC	8/27/99	tolerances unless otherwise specified	R/A CARDBUS SINGLE DECK ASSEMBLY	
B	V92139	CGC	11/23/99	angles linear	MM	
C	V00452	RGD	2/7/00	±2'	scale 1:1	
D	V12208	TFG	8/31/01	dr	Mike Zhou	08/02/06
E	M20011	LP	1/30/02	enrg	Mike Zhou	08/02/06
F	N06-0209	MZ	08/02/06	chr	Qin David	08/02/06
		appd		Wang Jack	08/02/06	
sheet	revision	F	F	F		
index	sheet	1	2	3		

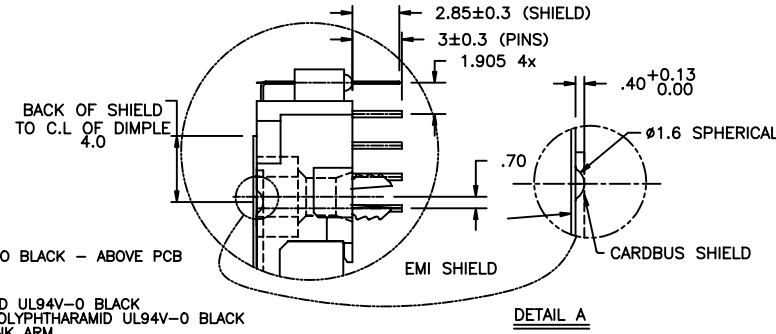
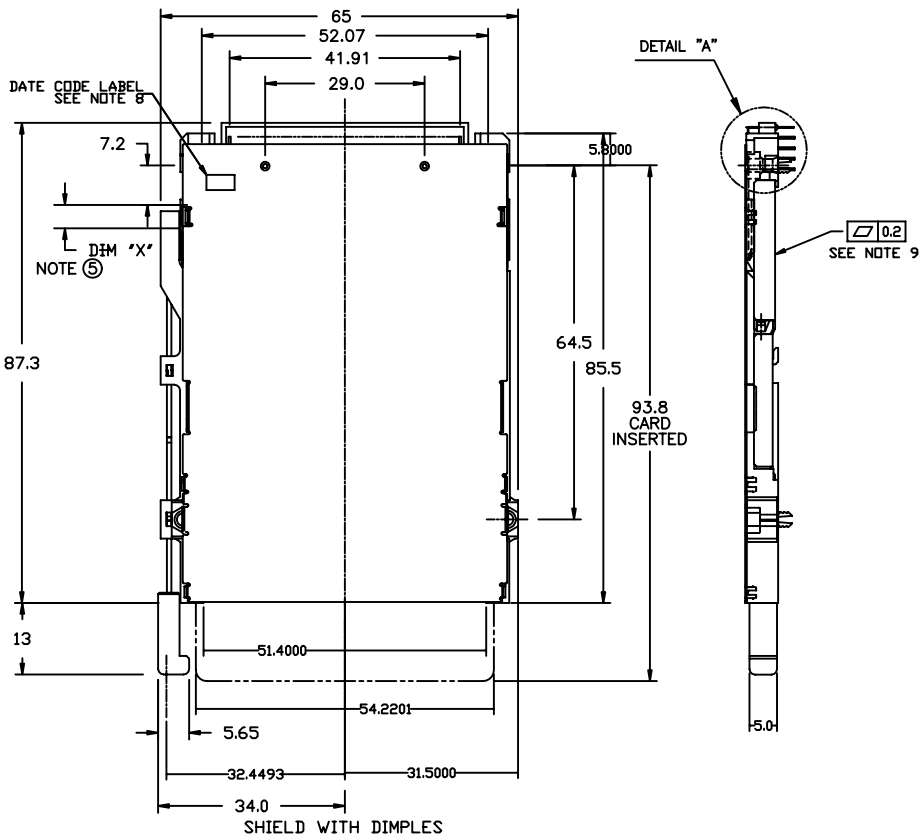


FCI CONFIDENTIAL



This document is the property of and embodies CONFIDENTIAL and PROPRIETARY information of FCI. No part of the information shown on this document may be used in any way or disclosed to others without the written consent of FCI. Copyright FCI.

PRODUCT NUMBER
98545-101CAH
98545-101CAHLF



- NOTES:
- 8mm MIN CARD EJECT.
 - PUSH-ROD TRAVEL: 9.5mm
 - MATERIAL:
 - HEADER ASSY: PLASTIC HOUSING: LCP UL94V-0 BLACK - ABOVE PCB
PIN: PHOSPHOR BRONZE
 - EJECT MECHANISM ASSY: PLASTIC GUIDE: POLYPHTHARAMID UL94V-0 BLACK
PLASTIC PUSH-ROD BUTTON: POLYPHTHARAMID UL94V-0 BLACK
COVER PLATE, EJECT PLATE, LINK ARM, PUSH ROD: STAINLESS STEEL
EMI CONTACT: PHOSPHOR BRONZE
 - FINISH (PIN)
UNDER PLATING: 0.5um MIN Ni
CONTACT AREA: 0.1um MIN GOLD OVER
0.5um MIN Pd-Ni
SOLDER TAIL: 2.5um MIN Sn-Pb
SOLDER TAIL (IF LF P/N): 2.5um MIN PURE Sn

Ⓢ DIM "X"

4.25±0.1	3.5±0.1	5.0±0.1
OTHERS	36,67	1,17,34,35,51,68

- SEE SHEET 3 FOR PCB LAYOUT INFORMATION.

4 PER ASSEMBLY
- EJECT MECHANISM RIVET DETAIL

COVER PLATE

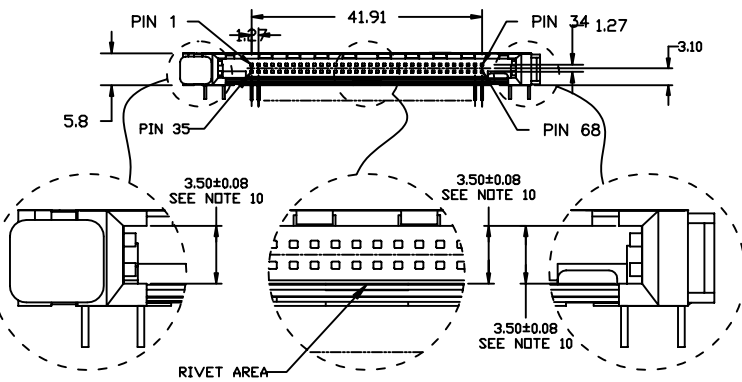
RIVET CHAMFER 16°

90° OVERALL RIVET HEIGHT

LINK ARM
- DATE CODE = ABBC

DAY OF WEEK	WEEK	YEAR
-------------	------	------

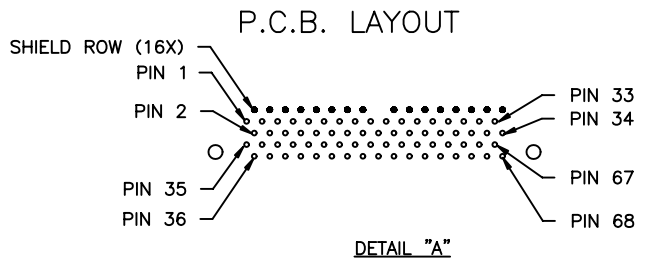
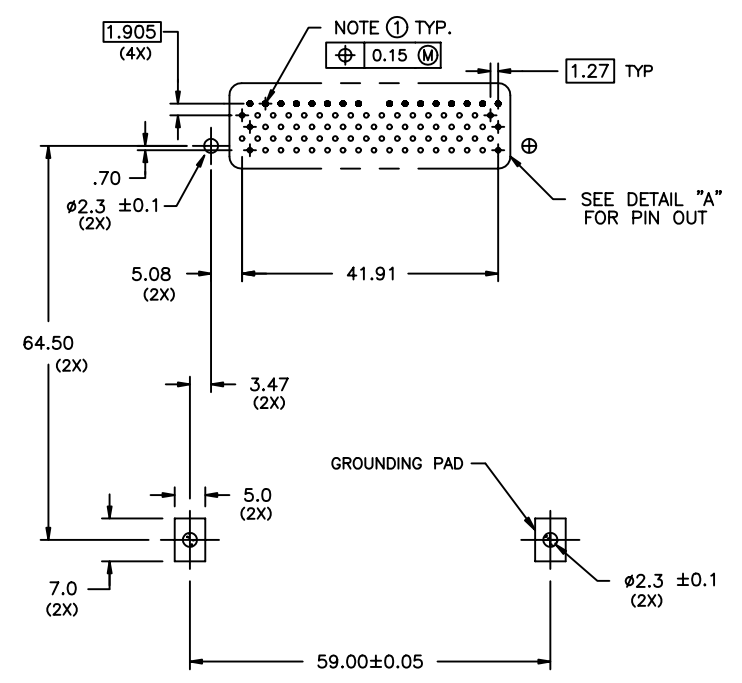
EXAMPLE: 1043=3rd DAY OF 4th WEEK OF 2001
- FLATNESS 0.2mm OVER THIS EJECT MECHANISM COVER PLATE SURFACE.
- CHECK INTERNAL CLEARANCE FOR CARD AT THIS LOCATION.
- IF LEAD FREE P/N, THE HOUSING WILL WITHSTAND EXPOSURE TO 260° C PEAK TEMPERATURE FOR 10 SECONDS IN A WAVE SOLDER APPLICATION WITH A 1.00MM MINIMUM THICK CIRCUIT BOARD.
- LEAD FREE PRODUCT MEETS EUROPEAN UNION DIRECTIVES AND OTHER COUNTRY REGULATIONS AS DISCRIBED IN GS-22-008



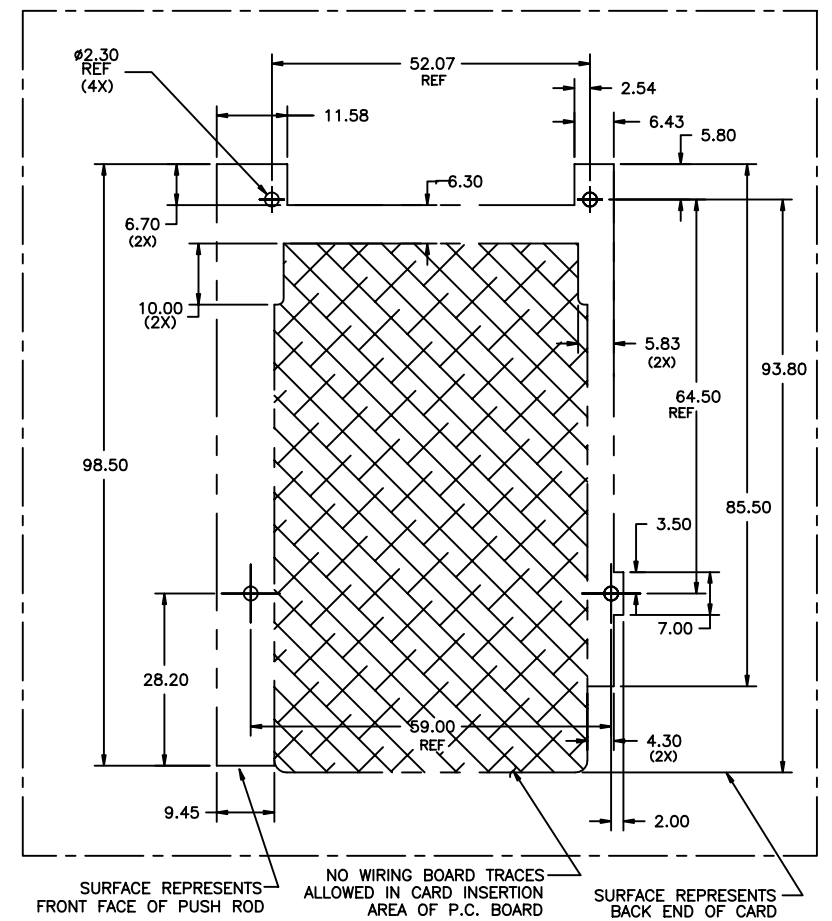
mat'l. code		surface	tolerance	projection	product family	CARDBUS
ltr ecn no dr date		ISO 1302	ISO 406 ISO 1101		title	
F		tolerances unless otherwise specified			R/A CARDBUS SINGLE DECK ASSEMBLY	
		angles	.X±.3	MM	dwg no	
		linear	.XX±.13	←	98545	
		±2'	.XXX±.051	scale 1:1	sheet 2of 3 size	
		dr	Mike Zhou 08/02/06		A4	
		enr	Mike Zhou 08/02/06		type CUSTOMER Drawing	
		chr	Qin David 08/02/06		98545	
		appd	Wang Jack 08/02/06		A4	
sheet index	revision sheet					



This document is the property of and embodies CONFIDENTIAL and PROPRIETARY information of FCI. No part of the information shown on this document may be used in any way or disclosed to others without the written consent of FCI. Copyright FCI.



- NOTES:
- ① RECOMMENDED DIAMETER IS $\phi 1.0$. FOR PROCESSES USING PASTE REFLOW, HOLE MAY BE AS SMALL AS $\phi 0.79$.
 - 2 ALL TOLERANCES ± 0.15 UNLESS NOTED.



mat'l. code		surface		tolerance		projection		product family	
		ISO 1302		ISO 406 ISO 101				CARDBUS	
ltr		ecn no		dr		date		title	
F								R/A CARDBUS SINGLE DECK ASSEMBLY	
		angles		linear		MM		dwg no	
		$\pm 2'$.X \pm .3 .XX \pm .13 .XXX \pm .051		scale 1:1		sheet 3 of 3 size	
		dr		Mike Zhou		08/02/06		98545	
		enr		Mike Zhou		08/02/06		A4	
		chr		Qin David		08/02/06		type	
		appd		Wang Jack		08/02/06		CUSTOMER Drawing	
sheet		revision							
index		sheet							