



Chipsmall Limited consists of a professional team with an average of over 10 year of expertise in the distribution of electronic components. Based in Hongkong, we have already established firm and mutual-benefit business relationships with customers from,Europe,America and south Asia,supplying obsolete and hard-to-find components to meet their specific needs.

With the principle of "Quality Parts,Customers Priority,Honest Operation,and Considerate Service",our business mainly focus on the distribution of electronic components. Line cards we deal with include Microchip,ALPS,ROHM,Xilinx,Pulse,ON,Everlight and Freescale. Main products comprise IC,Modules,Potentiometer,IC Socket,Relay,Connector.Our parts cover such applications as commercial,industrial, and automotives areas.

We are looking forward to setting up business relationship with you and hope to provide you with the best service and solution. Let us make a better world for our industry!



Contact us

Tel: +86-755-8981 8866 Fax: +86-755-8427 6832

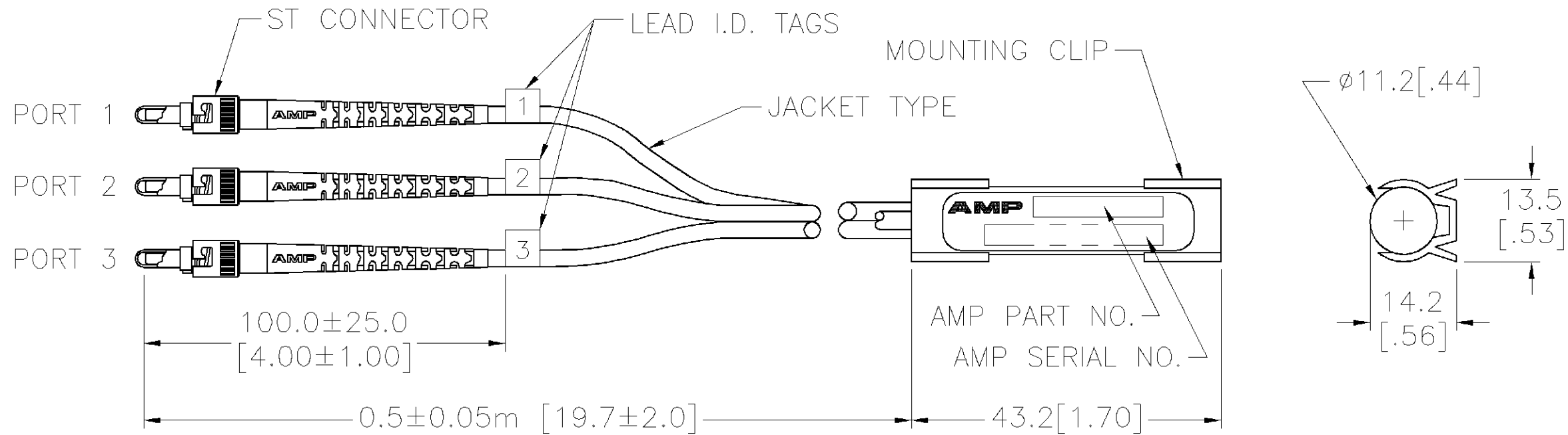
Email & Skype: info@chipsmall.com Web: www.chipsmall.com

Address: A1208, Overseas Decoration Building, #122 Zhenhua RD., Futian, Shenzhen, China



THIS DRAWING IS UNPUBLISHED. RELEASED FOR PUBLICATION
 © COPYRIGHT BY TYCO ELECTRONICS CORPORATION. ALL RIGHTS RESERVED.

LOC	DIST	REVISIONS					
EA	17	P	LTR	DESCRIPTION	DATE	DWN	APVD
		G		REVISE PER ECN 0A10-0222-01	06NOV01	SU	JM



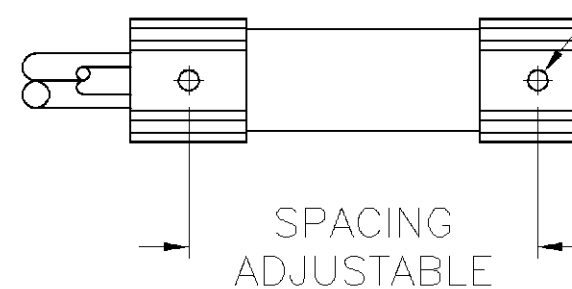
SPECIFICATIONS:

UNCONNECTORIZED *
 INSERTION LOSS
 (PER FOTP-34, METHOD A):
 MUX 1.2dB MAX 0.9dB TYP.
 DEMUX 1.3dB MAX 0.9dB TYP.

* FOR ADDITIVE CONNECTOR
 LOSSES REFER TO AMP
 SPECIFICATION 115-56050.

DIRECTIVITY:
 TYPICAL: >55dB
 MINIMUM: >45dB
 WAVELENGTH BANDPASS (nm):
 TYPICAL: 120nm
 MINIMUM: 100nm
 RETURN LOSS (REFLECTANCE):
 MUX - MINIMUM: 35dB
 DEMUX -
 PORT 1 ≤-13dB
 PORT 2 ≤-15dB
 PORT 3 ≤-35dB

WITHOUT CONNECTORS
 ISOLATION:
 MUX & DEMUX 35dB MIN (TYP. 42dB)
 OPERATING TEMPERATURE: -40°C TO +65°C
 STORAGE TEMPERATURE: -40°C TO +75°C



PART NUMBER	FIBER TYPE	JACKET TYPE
99102-2	50/125/250	3mm
99102-3	62.5/125/250	3mm
9-99102-2	50/125/250	900µm
9-99102-3	62.5/125/250	900µm

THIS DRAWING IS A CONTROLLED DOCUMENT.		DWN D. HEINZ 14DEC96	Tyco Electronics Corporation Harrisburg, PA 17057	
DIMENSIONS: MM [INCHES]		CHK A. McCLISH 15DEC96		
TOLERANCES UNLESS OTHERWISE SPECIFIED:		APVD A. McCLISH 15DEC96	NAME WDM, MUX OR DEMUX 850/1310nm	
0 PLC ± - 1 PLC ± 1.0 [.04] 2 PLC ± 0.38 [.015] 3 PLC ± - 4 PLC ± - ANGLES ± 2'		PRODUCT SPEC -	RESTRICTED TO -	
MATERIAL -		FINISH -	APPLICATION SPEC -	SIZE A3
		WEIGHT -	SCALE NTS	CAGE CODE 00779
		CUSTOMER DRAWING	DRAWING NO C-99102	REV G
			SHEET 1 OF 1	