



Chipsmall Limited consists of a professional team with an average of over 10 year of expertise in the distribution of electronic components. Based in Hongkong, we have already established firm and mutual-benefit business relationships with customers from,Europe,America and south Asia,supplying obsolete and hard-to-find components to meet their specific needs.

With the principle of “Quality Parts,Customers Priority,Honest Operation,and Considerate Service”,our business mainly focus on the distribution of electronic components. Line cards we deal with include Microchip,ALPS,ROHM,Xilinx,Pulse,ON,Everlight and Freescale. Main products comprise IC,Modules,Potentiometer,IC Socket,Relay,Connector.Our parts cover such applications as commercial,industrial, and automotives areas.

We are looking forward to setting up business relationship with you and hope to provide you with the best service and solution. Let us make a better world for our industry!



Contact us

Tel: +86-755-8981 8866 Fax: +86-755-8427 6832

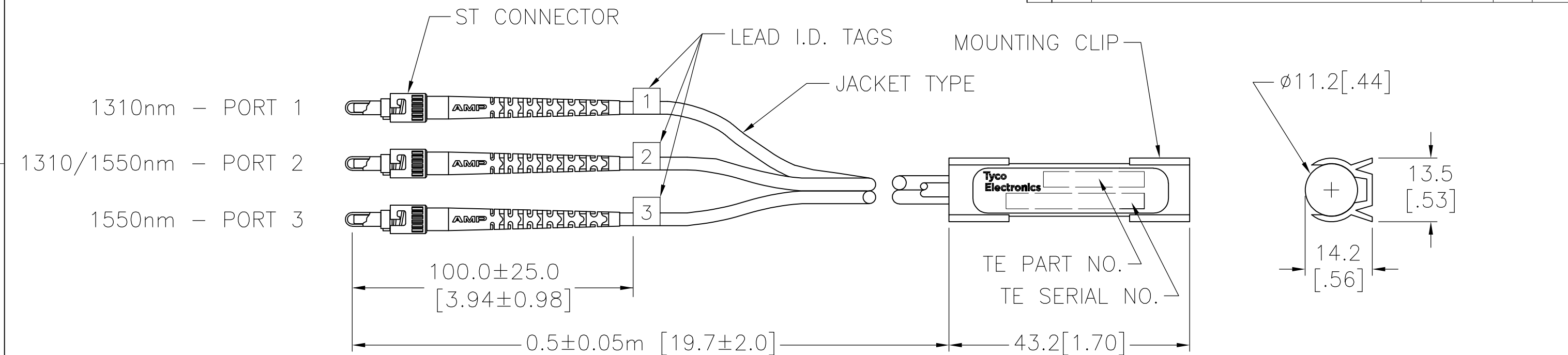
Email & Skype: info@chipsmall.com Web: www.chipsmall.com

Address: A1208, Overseas Decoration Building, #122 Zhenhua RD., Futian, Shenzhen, China



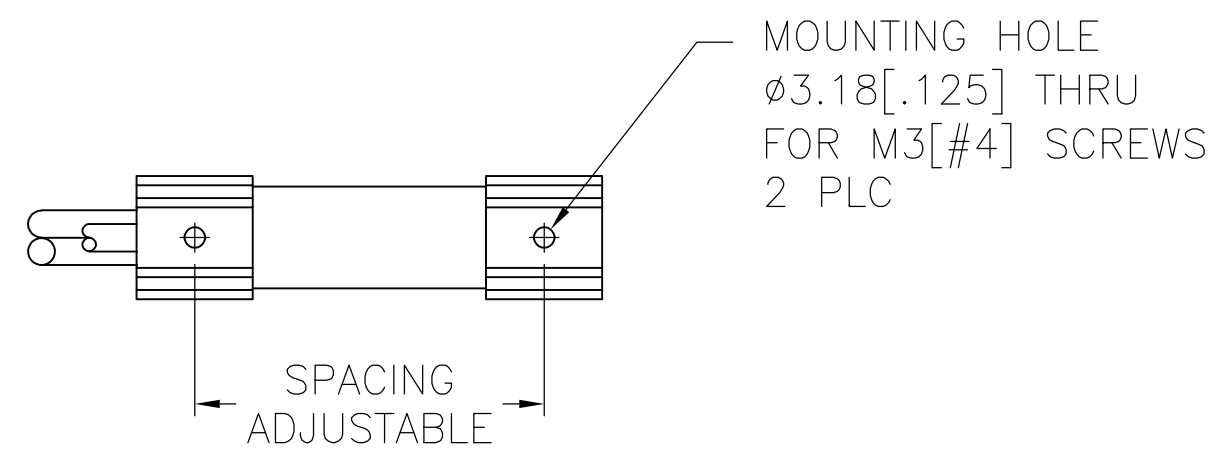
THIS DRAWING IS UNPUBLISHED. RELEASED FOR PUBLICATION
 © COPYRIGHT BY TYCO ELECTRONICS CORPORATION. ALL RIGHTS RESERVED.

LOC EA	DIST 17	REVISIONS		
P	LTR	DESCRIPTION	DATE	DWN
	K	ECR 07-031070	02OCT08	LGE
				APVD RP



SPECIFICATIONS:

OPTICAL PERFORMANCE PER FOTP 180ro METHOD 2,
 CLASS B, MEASUREMENT INCLUDES TWO CONNECTORS.
 INSERTION LOSS: 2.3dB MAX ALL PORTS
 DIRECTIVITY: 45dB MINIMUM
 WAVELENGTH BANDPASS: 100nm MINIMUM
 ISOLATION:>35dB
 OPERATING TEMPERATURE: -40°C TO +65°C
 STORAGE TEMPERATURE: -40°C TO +75°C
 CHANGE IN TRANSMISSION DURING OPERATING TEMPERATURES: +/-0.5dB



PART NUMBER	FIBER TYPE	JACKET TYPE
99105-2	50/125/250	3mm
99105-3	62.5/125/250	3mm
9-99105-2	50/125/250	900µm
9-99105-3	62.5/125/250	900µm

THIS DRAWING IS A CONTROLLED DOCUMENT.		DWN D. HEINZ 14DEC94	Tyco Electronics Corporation Harrisburg, PA 17105		
DIMENSIONS: MM [INCHES]	TOLERANCES UNLESS OTHERWISE SPECIFIED:	CHK A. McCLISH 15DEC96	NAME		
	0 PLC ± -	APVD A. McCLISH 15DEC96	WDM, MUX OR DEMUX, 1310/1550nm		
	1 PLC ± 1.0 [.04]	PRODUCT SPEC	SIZE	CAGE CODE	DRAWING NO
	2 PLC ± 0.38 [.015]		A3	00779	C-99105
	3 PLC ± -	APPLICATION SPEC	RESTRICTED TO		
	4 PLC ± -		-		
	ANGLES ± 2'	WEIGHT	-		
MATERIAL	FINISH	CUSTOMER DRAWING			
-	-	SCALE	SHEET	OF	REV
		1:1	1	1	K