



Chipsmall Limited consists of a professional team with an average of over 10 year of expertise in the distribution of electronic components. Based in Hongkong, we have already established firm and mutual-benefit business relationships with customers from,Europe,America and south Asia,supplying obsolete and hard-to-find components to meet their specific needs.

With the principle of "Quality Parts,Customers Priority,Honest Operation,and Considerate Service",our business mainly focus on the distribution of electronic components. Line cards we deal with include Microchip,ALPS,ROHM,Xilinx,Pulse,ON,Everlight and Freescale. Main products comprise IC,Modules,Potentiometer,IC Socket,Relay,Connector.Our parts cover such applications as commercial,industrial, and automotives areas.

We are looking forward to setting up business relationship with you and hope to provide you with the best service and solution. Let us make a better world for our industry!



## Contact us

Tel: +86-755-8981 8866 Fax: +86-755-8427 6832

Email & Skype: info@chipsmall.com Web: www.chipsmall.com

Address: A1208, Overseas Decoration Building, #122 Zhenhua RD., Futian, Shenzhen, China



DESCRIPTION: **994 SERIES ETHERNET STRAIGHT BACKSHELL**

**BACKSHELL KIT INCLUDES:**

- (2) BACKSHELL HALVES
- (2) HOUSING SCREWS
- (2) HOUSING NUTS
- (2) STRAIN RELIEF CLAMPS
- (2) STRAIN RELIEF SCREWS

994-YYY-YYYRYY1

SERIES \_\_\_\_\_

POSITIONS \_\_\_\_\_

009 \_\_\_\_\_

015 \_\_\_\_\_

025 \_\_\_\_\_

MATERIAL \_\_\_\_\_

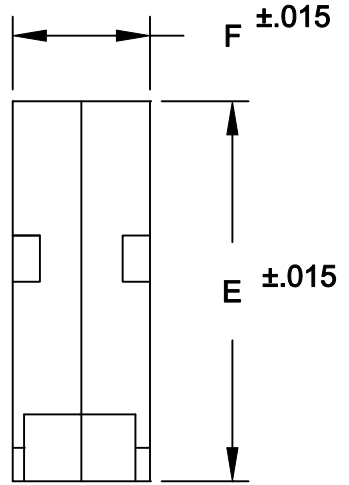
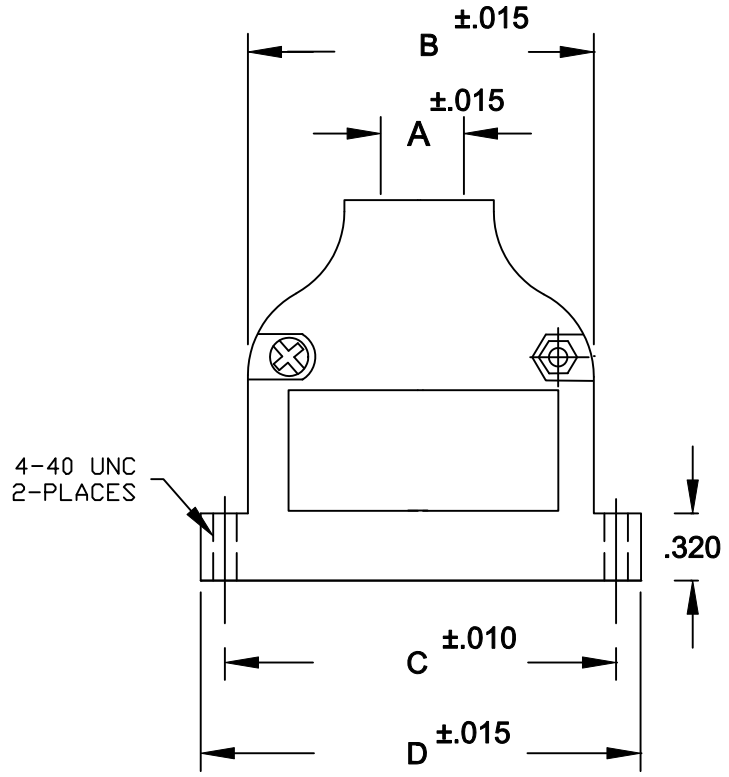
030 = ZINC \_\_\_\_\_

COLOR: \_\_\_\_\_

12 = NICKEL OVER COPPER \_\_\_\_\_

PUT-UPS \_\_\_\_\_

1 = KIT \_\_\_\_\_



SIZE	A	B	C	D	E	F
9 POS	.433	.790	.984	1.244	1.82	.614
15 POS	.433	1.135	1.312	1.575	1.82	.665
25 POS	.433	1.640	1.852	2.106	1.82	.630

**MATERIAL: DIE-CAST ZINC ALLOY**

**NICKEL PLATED**

**RoHS COMPLIANT**

	THESE DRAWINGS AND SPECIFICATIONS ARE THE PROPERTY OF NorComp AND SHALL NOT BE REPRODUCED, COPIED OR USED AS THE BASIS FOR THE MANUFACTURE OR SALE OF APPARATUS WITHOUT WRITTEN PERMISSION.		DRAWN: <b>PAM JENKINS</b>	DATE: <b>9-15-05</b>
				CHECKED:
<b>NorComp</b>		SCALE	SHEET OF	REV <b>3</b>
		DWG NO. <b>994-0YY-030R121</b>		