



Chipsmall Limited consists of a professional team with an average of over 10 year of expertise in the distribution of electronic components. Based in Hongkong, we have already established firm and mutual-benefit business relationships with customers from,Europe,America and south Asia,supplying obsolete and hard-to-find components to meet their specific needs.

With the principle of “Quality Parts,Customers Priority,Honest Operation,and Considerate Service”,our business mainly focus on the distribution of electronic components. Line cards we deal with include Microchip,ALPS,ROHM,Xilinx,Pulse,ON,Everlight and Freescale. Main products comprise IC,Modules,Potentiometer,IC Socket,Relay,Connector.Our parts cover such applications as commercial,industrial, and automotives areas.

We are looking forward to setting up business relationship with you and hope to provide you with the best service and solution. Let us make a better world for our industry!



Contact us

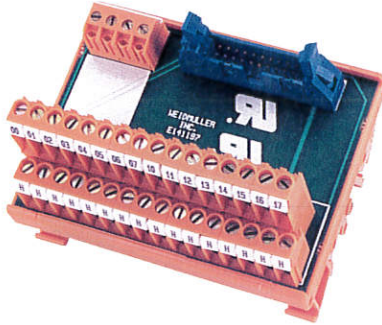
Tel: +86-755-8981 8866 Fax: +86-755-8427 6832

Email & Skype: info@chipsmall.com Web: www.chipsmall.com

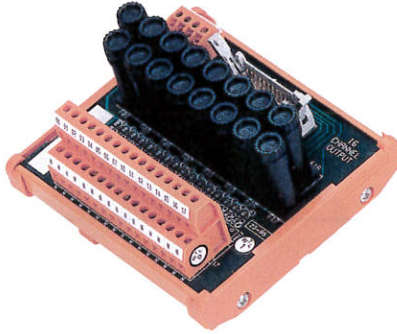
Address: A1208, Overseas Decoration Building, #122 Zhenhua RD., Futian, Shenzhen, China



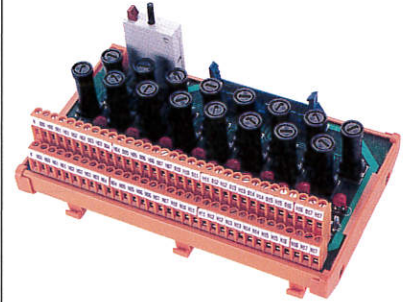
**Passive - 2 wire
16 Channel
Output
Allen-Bradley**



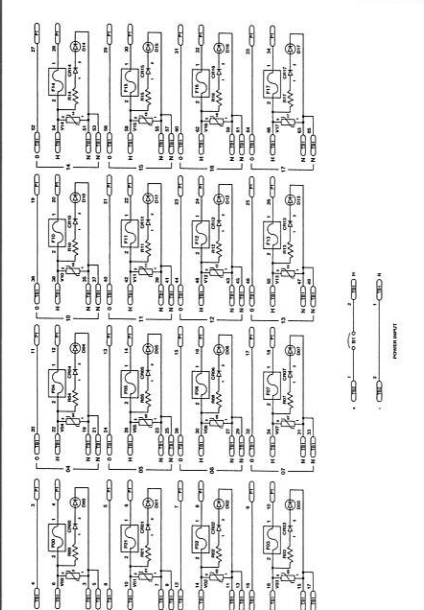
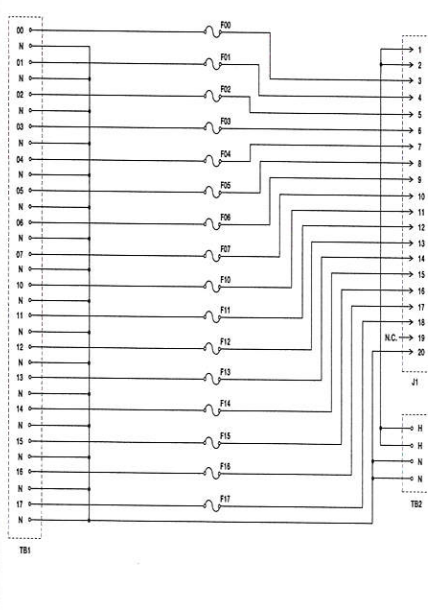
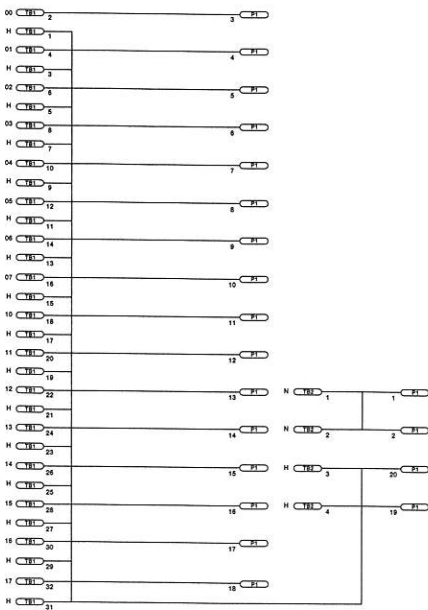
**Passive - 2 wire
16 Channel
Output Fused*
Allen-Bradley**



**Passive - 2 wire
16 Channel
Output Fused* w/LED, MOV,
and Circuit Breaker
Allen-Bradley**



RS PLC 1771 16PT DO AC			RS RI OAD 16 FL			RS PLC DO W/LD, F & CB W/MOV	
998038	120 VAC / 24 VDC	1771-OAD/B	990874	120 VAC, 24 VDC	1771-OAD/B	996420	1771-OD16
	24 VAC	1771-OND	919769	24 VDC	1746-OB16		
998039	10-60 VDC	1771-OB	919771	24 VDC	1746-OV16		
	10-40 VDC	1771-OBDS					
See Above			See Above			120 VAC	
3.0 A per channel / 6.0 A per module / 3.0 A per common			2.0 A per channel / 6.0 A per module			2.0 A per channel / 12.0 A per module	
(1) 1 x 20 pin IDC			(1) 1 x 20 pin IDC			(1) 1 x 40 pin IDC	
No			No			Yes	
0°C...+50°C			0°C...+50°C			0°C...+50°C	
-20°C...+60°C			-20°C...+60°C			-20°C...+60°C	
90 x 70 x 56			117 x 109 x 76			182 x 100 x 59	
#26...14 AWG			#26...14 AWG			#26...14 AWG	
Screw Clamp			Screw Clamp			Screw Clamp	



*5 x 20 mm fuses are required.
Note: Markings vary based on I/O used.