



Chipsmall Limited consists of a professional team with an average of over 10 year of expertise in the distribution of electronic components. Based in Hongkong, we have already established firm and mutual-benefit business relationships with customers from,Europe,America and south Asia,supplying obsolete and hard-to-find components to meet their specific needs.

With the principle of “Quality Parts,Customers Priority,Honest Operation,and Considerate Service”,our business mainly focus on the distribution of electronic components. Line cards we deal with include Microchip,ALPS,ROHM,Xilinx,Pulse,ON,Everlight and Freescale. Main products comprise IC,Modules,Potentiometer,IC Socket,Relay,Connector.Our parts cover such applications as commercial,industrial, and automotives areas.

We are looking forward to setting up business relationship with you and hope to provide you with the best service and solution. Let us make a better world for our industry!



Contact us

Tel: +86-755-8981 8866 Fax: +86-755-8427 6832

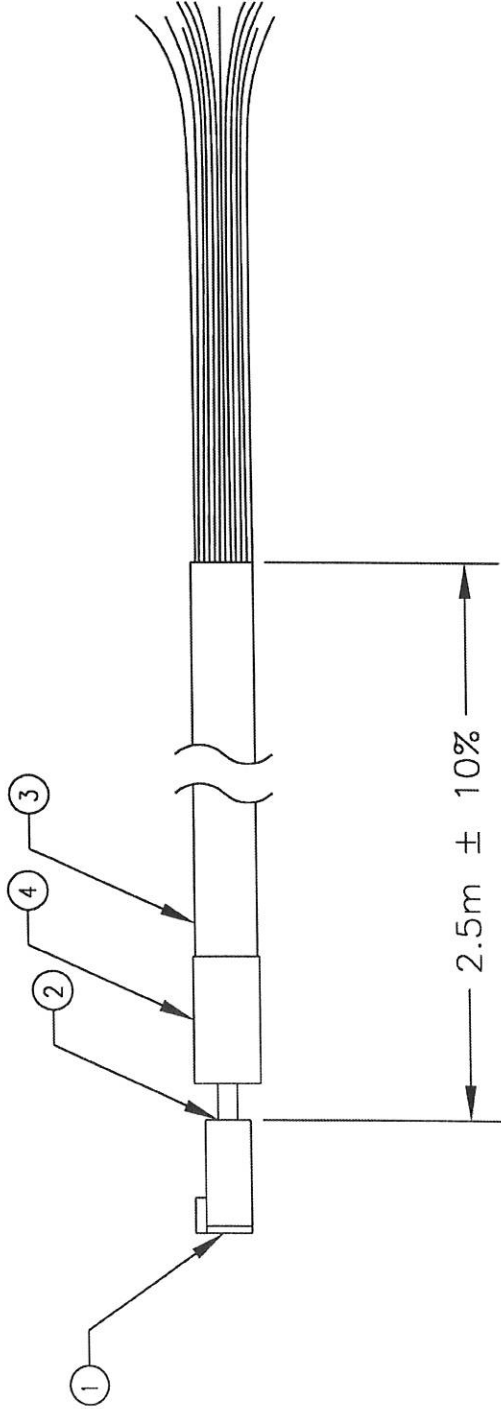
Email & Skype: info@chipsmall.com Web: www.chipsmall.com

Address: A1208, Overseas Decoration Building, #122 Zhenhua RD., Futian, Shenzhen, China



REVISIONS

REV.	DESCRIPTION	DATE	CMPLT. BY	APPRV.
A	CHANGED CABLE TO ALL 22AWG	1/30/97	SB	<i>ML</i>



- NOTES:
1. FLYING LEADS TO BE 100mm LONG
 2. DO NOT STRIP FLYING ENDS
 3. INFORMATIONAL PACKET WILL BE PROVIDED BY WEIDMULLER. PACK WITH UNIT AFTER ASSEMBLY.

PARTS LIST		
BUB. #	DESCRIPTION	QTY.
1	CONNECTOR 20-PIN FEMALE	1
2	CRIMP AND POKE TERMINAL	20
3	CABLE 20-COND 22AWG	A/R
4	SHRINK TUBING 3/4" DIA	50mm
5	INFORMATIONAL PACKET	1

Weidmüller WEIDMULLER INC. 821 SOUTHLAKE BLVD. RICHMOND, VIRGINIA 23236	CAT. NO. 996606 DRWN BY SB APPROVED KMR	TITLE PLC CABLE W/O SWINGARM 2.5M	TOLERANCE ON : .x = +/- 0.508 mm .xx = +/- 0.254 mm .xxx = +/- 0.127 mm .x = +/- .00	PROPRIETARY RIGHTS : THIS DOCUMENT INCLUDES DESIGN AND INVENTION RIGHTS WHICH MAY BE PROPRIETARY AND CONFIDENTIAL INFORMATION OF WEIDMULLER INC. AND THIS DOCUMENT OR ITS CONTENTS MAY NOT BE DISCLOSED TO OTHERS, REPRODUCED, COPIED, OR USED WITHOUT WRITTEN AUTHORITY FROM WEIDMULLER INC. IN RICHMOND, VIRGINIA.
	REL. DATE 8/2/96 <input checked="" type="checkbox"/> P/N <input checked="" type="checkbox"/> DWG. <input type="checkbox"/> PROD. <input checked="" type="checkbox"/> INSP. <input type="checkbox"/> OTHER	SCALE: DO NOT SCALE	SHEET 1 OF 2	DRAWING NUMBER 1100187 REV. A
DISTRIBUTION:		PRODUCTION RELEASE PAGE 1	SIZE: A	REV. A