



Chipsmall Limited consists of a professional team with an average of over 10 year of expertise in the distribution of electronic components. Based in Hongkong, we have already established firm and mutual-benefit business relationships with customers from,Europe,America and south Asia,supplying obsolete and hard-to-find components to meet their specific needs.

With the principle of "Quality Parts,Customers Priority,Honest Operation,and Considerate Service",our business mainly focus on the distribution of electronic components. Line cards we deal with include Microchip,ALPS,ROHM,Xilinx,Pulse,ON,Everlight and Freescale. Main products comprise IC,Modules,Potentiometer,IC Socket,Relay,Connector.Our parts cover such applications as commercial,industrial, and automotives areas.

We are looking forward to setting up business relationship with you and hope to provide you with the best service and solution. Let us make a better world for our industry!



Contact us

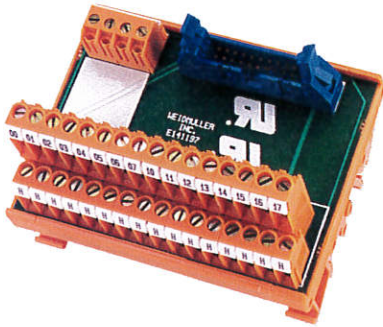
Tel: +86-755-8981 8866 Fax: +86-755-8427 6832

Email & Skype: info@chipsmall.com Web: www.chipsmall.com

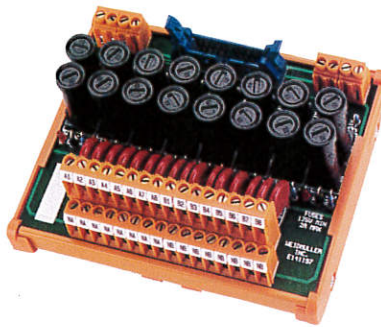
Address: A1208, Overseas Decoration Building, #122 Zhenhua RD., Futian, Shenzhen, China



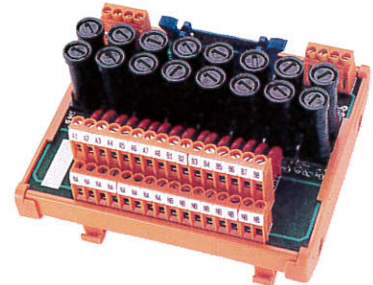
**Passive - 2 wire
16 Channel
Output
GE Fanuc**



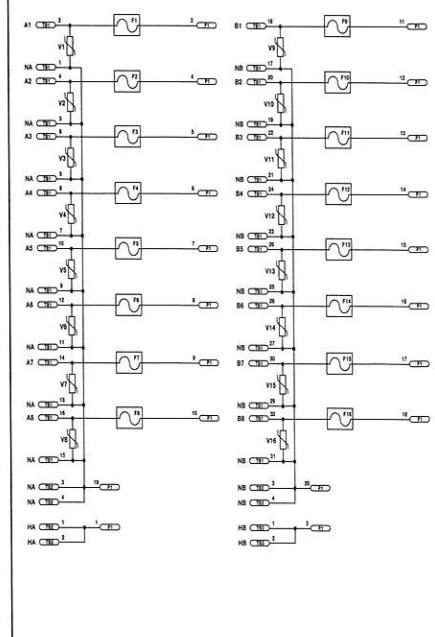
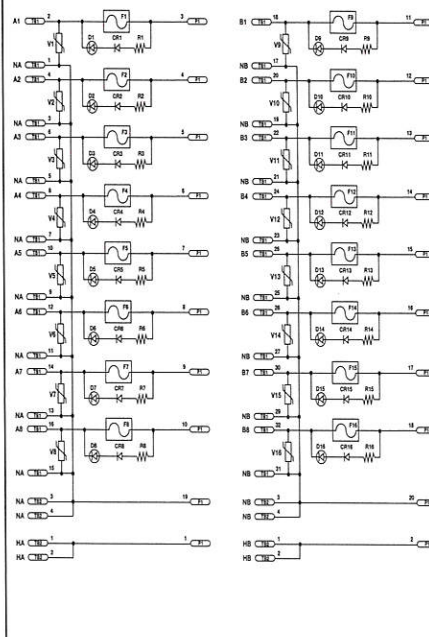
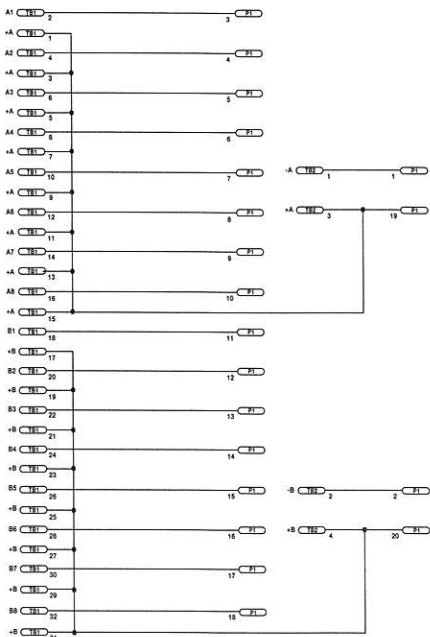
**Passive - 2 wire
16 Channel
Output Fused* w/LED and MOV
GE Fanuc**



**Passive - 2 wire
16 Channel
Output Fused* w/MOV
GE Fanuc**



RS PLC GE9030 16PT 2x8			RS PLC DO W/BFI & MOV		RS PLC DO W/F & MOV	
998189	120 VAC	IC693MDL340	998001	IC693MDL740	996572	IC693MDL740
998064	24 VDC	IC693MDL740, 742				
998069	24 VDC	IC693MDL741				
See Above			24 VDC		24 VDC	
3.0 A per channel / 3.0 A per group of 8 / 6.0 A per module			1.5 A per channel / 3.0 A per group of 8 / 6.0 A per module		1.5 A per channel / 3.0 A per group of 8 / 6.0 A per module	
(1) 1 x 20 pin IDC			(1) 1 x 20 pin IDC		(1) 1 x 20 pin IDC	
No			Yes		No	
0°C...+50°C			0°C...+50°C		0°C...+50°C	
-20°C...+60°C			-20°C...+60°C		-20°C...+60°C	
90 x 70 x 56			123 x 109 x 61		123 x 109 x 61	
#26...14 AWG			#26...14 AWG		#26...14 AWG	
Screw Clamp			Screw Clamp		Screw Clamp	



*5 x 20 mm fuses are required.
Note: Markings vary based on I/O used.