



Chipsmall Limited consists of a professional team with an average of over 10 year of expertise in the distribution of electronic components. Based in Hongkong, we have already established firm and mutual-benefit business relationships with customers from,Europe,America and south Asia,supplying obsolete and hard-to-find components to meet their specific needs.

With the principle of “Quality Parts,Customers Priority,Honest Operation,and Considerate Service”,our business mainly focus on the distribution of electronic components. Line cards we deal with include Microchip,ALPS,ROHM,Xilinx,Pulse,ON,Everlight and Freescale. Main products comprise IC,Modules,Potentiometer,IC Socket,Relay,Connector.Our parts cover such applications as commercial,industrial, and automotives areas.

We are looking forward to setting up business relationship with you and hope to provide you with the best service and solution. Let us make a better world for our industry!



## Contact us

Tel: +86-755-8981 8866 Fax: +86-755-8427 6832

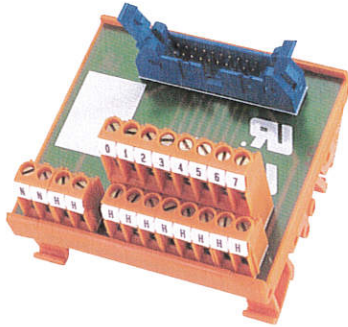
Email & Skype: info@chipsmall.com Web: www.chipsmall.com

Address: A1208, Overseas Decoration Building, #122 Zhenhua RD., Futian, Shenzhen, China

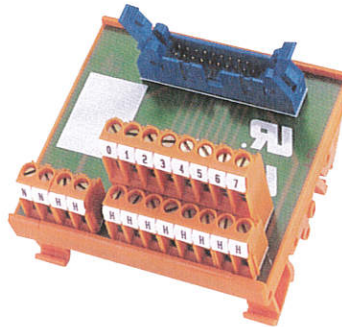




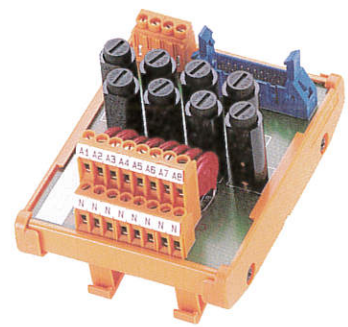
**Passive - 2 wire  
8 Channel  
Input  
GE Fanuc**



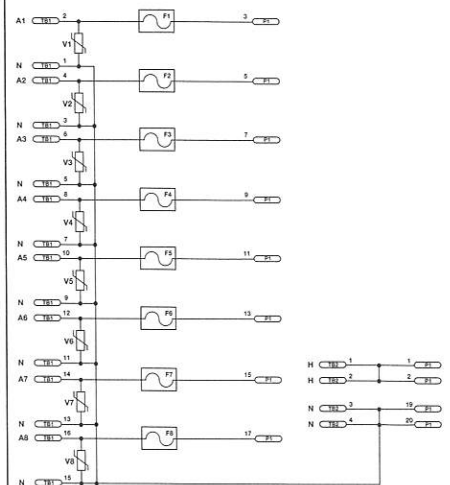
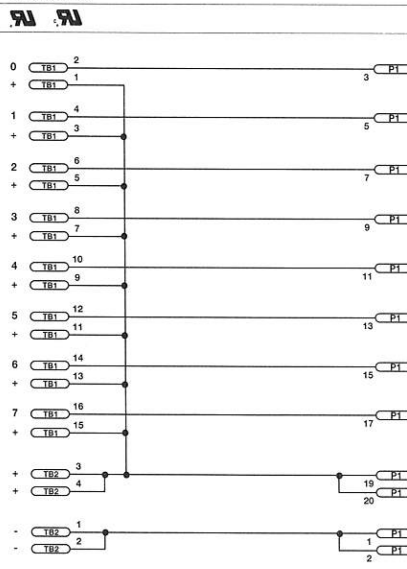
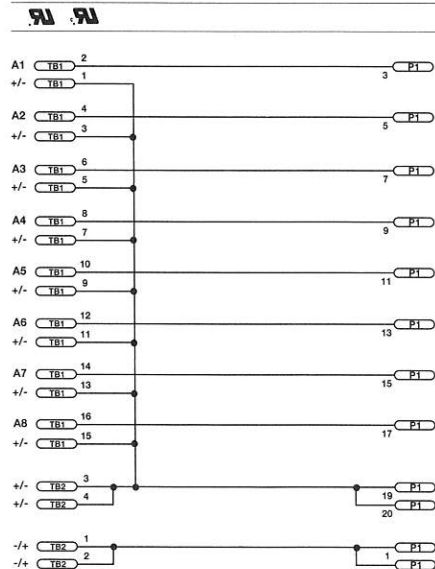
**Passive - 2 wire  
8 Channel  
Output  
GE Fanuc**



**Passive - 2 wire  
8 Channel  
Output Fused w/MOV\*  
GE Fanuc**



RS PLC DI 8PT +/-	RS PLC DO 8PT	RS PLC DO W/F & MOV
<b>998010</b>	<b>998014</b>	<b>996569</b>
IC693MDL634	IC693MDL730	IC693MDL730
	IC693MDL732	
	<b>998015</b>	
	IC693MDL731	
125 VDC	12-24 VDC	12-24 VDC
3.0 A per channel / 6.0 A per module / 3.0 A per common	3.0 A per channel / 6.0 A per module / 3.0 A per common	2.0 A per channel / 6.0 A per module / 3.0 A per common
(1) 1 x 20 pin IDC	(1) 1 x 20 pin IDC	(1) 1 x 20 pin IDC
No	No	No
0°C...+50°C	0°C...+50°C	0°C...+50°C
-20°C...+60°C	-20°C...+60°C	-20°C...+60°C
75 x 70 x 59	75 x 70 x 59	81 x 109 x 63
#26...14 AWG	#26...14 AWG	#26...14 AWG
Screw Clamp	Screw Clamp	Screw Clamp



\*5 x 20 mm fuses required.  
Note: Markings vary based on I/O used.