



Chipsmall Limited consists of a professional team with an average of over 10 year of expertise in the distribution of electronic components. Based in Hongkong, we have already established firm and mutual-benefit business relationships with customers from,Europe,America and south Asia,supplying obsolete and hard-to-find components to meet their specific needs.

With the principle of "Quality Parts,Customers Priority,Honest Operation,and Considerate Service",our business mainly focus on the distribution of electronic components. Line cards we deal with include Microchip,ALPS,ROHM,Xilinx,Pulse,ON,Everlight and Freescale. Main products comprise IC,Modules,Potentiometer,IC Socket,Relay,Connector.Our parts cover such applications as commercial,industrial, and automotives areas.

We are looking forward to setting up business relationship with you and hope to provide you with the best service and solution. Let us make a better world for our industry!



Contact us

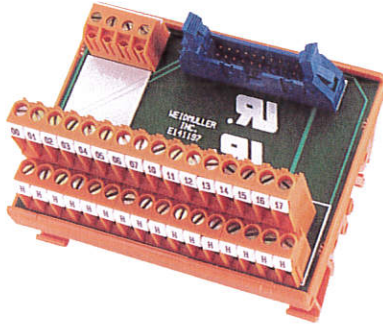
Tel: +86-755-8981 8866 Fax: +86-755-8427 6832

Email & Skype: info@chipsmall.com Web: www.chipsmall.com

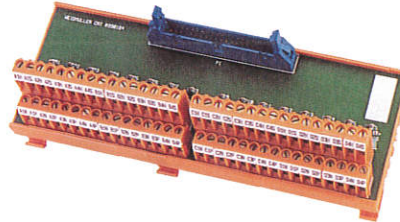
Address: A1208, Overseas Decoration Building, #122 Zhenhua RD., Futian, Shenzhen, China



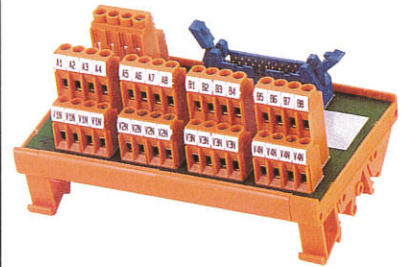
**Passive - 2 wire
16 Channel
Input
GE Fanuc**



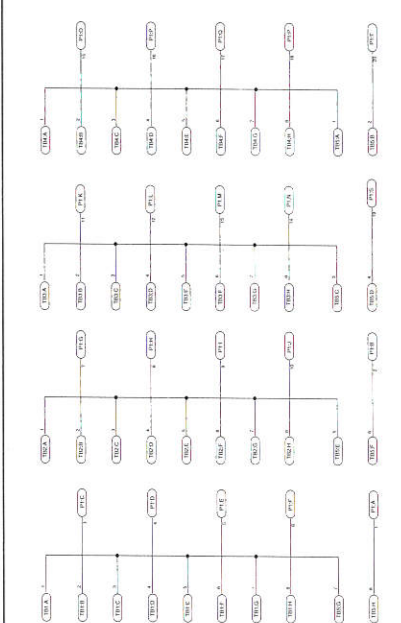
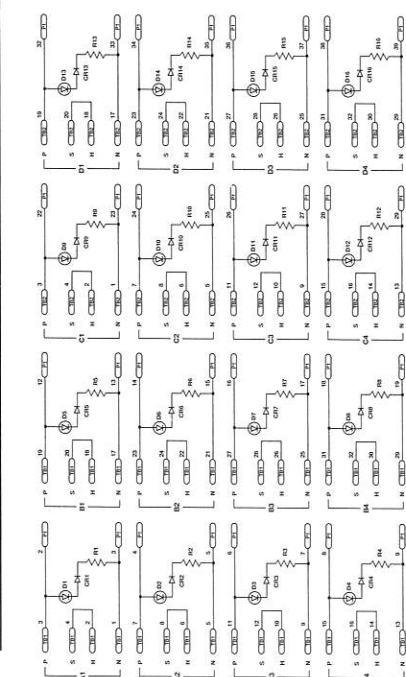
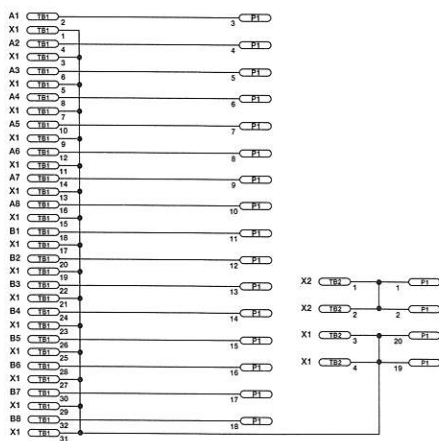
**Passive - 2 wire
16 Channel
Input w/LED
GE Fanuc**



**Passive - 2 wire
16 Channel
Input
GE Fanuc**



RS PLC 16PT DI +/- BUS	RS PLC IDI W/LED	RS PLC 16PT
998041 24 VAC/DC IC693MDL241	998184 IC697MDL240	998127 120 VAC IC697MDL251
24 VDC IC693MDL645, 646		998137 125 VDC IC697MDL640
998040 120 VAC IC693MDL240		24 VDC IC697MDL671
See Above	120 VAC	See Above
3.0 A per channel / 6.0 A per module / 3.0 A per common	2.5 A per channel / 12.0 A per module	3.0 A per channel / 3.0 A per group of 4 / 12.0 A per module
(1) 1 x 20 pin IDC	(1) 1 x 40 pin IDC	(1) 1 x 20 pin IDC
No	Yes	No
0°C...+50°C	0°C...+50°C	0°C...+50°C
-20°C...+60°C	-20°C...+60°C	-20°C...+60°C
90 x 70 x 56	180 x 70 x 59	90 x 70 x 56
#26...14 AWG	#26...14 AWG	#26...14 AWG
Screw Clamp	Screw Clamp	Screw Clamp



Note: Markings vary based on I/O used.

PART NUMBER SELECTION TABLES

